



Product Specification Sheet

EL4471 SN

Product Description

Modern wall mounted 60W-A19 double light vanity light with bowl shape frosted glass shades. Available in Satin nickel finish.

Product Information

Dimensions: 390 x 330 x 250 mm / 15.4 x 13 x 9.8"

Installation: Wall mounted

Light Source: 60W-A19 Bulb

Glass detail: frosted bell shape glass



Finishing Options



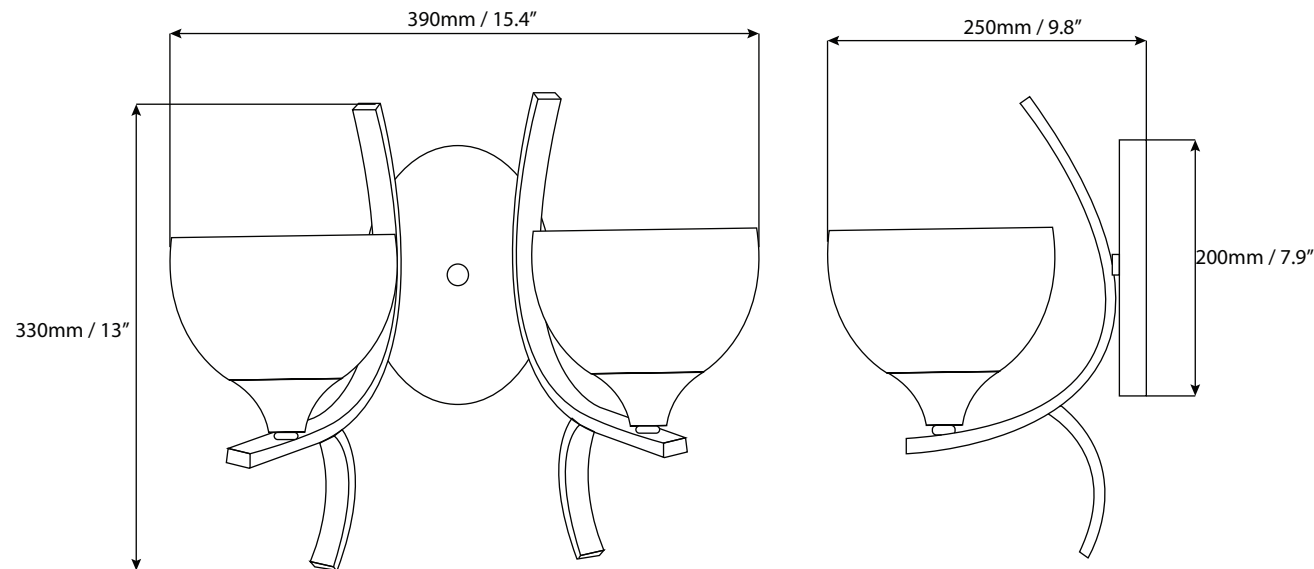
Satin Nickel

Shipment Information BG/DB

Dimensions: 46 x 23 x 19cm
18" x 9" x 7.4"

Net Weight: 1.9 kg / 4.1 lbs

Gross Weight: 2.8 kg / 6.1 lbs



Measurements may vary +/- 1/4"