



Product Specification Sheet

COX

Company name: Paini
Reference number: USCR425

Product Description

Four port wall mount diverter. Available in chrome and brushed nickel finish.

Finishing Options

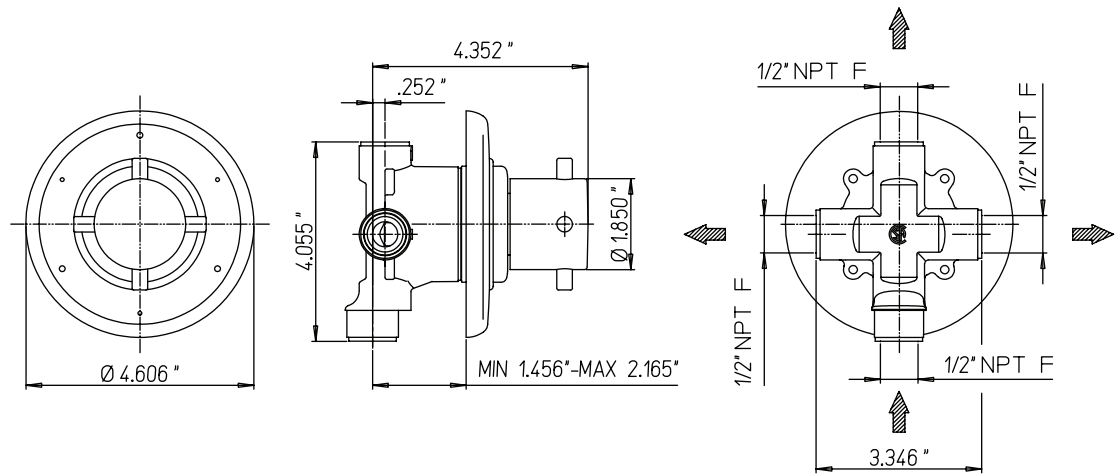


P.V.D Chrome

Shipment Information

Dimensions: 22 x 14 x 9.5cm
8.6" x 5.5" x 3.7"

Weight: 1.56 kg / 3.4 lbs



Measurements may vary +/- 1/4"