



Product Specification Sheet

COX

Company name: Paini
Reference number: 78PW574

Product Description

Two hole kitchen faucet with hand faucet.
Available in brushed nickel finish.

Finishing Options

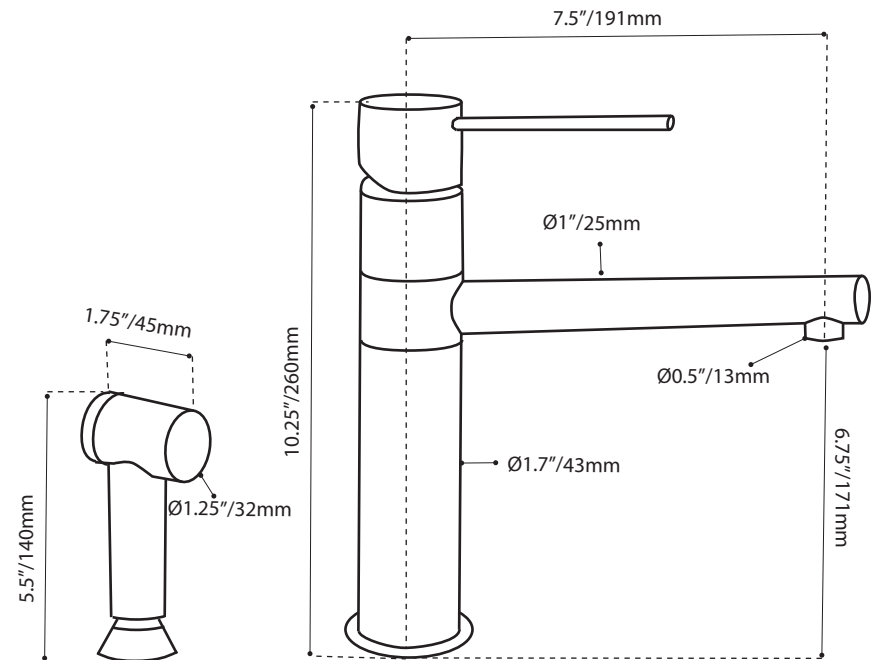


P.V.D

Shipment Information

Dimensions: 48.5 x 25 x 9.5cm
19" x 9.8" x 3.7"

Weight: 2.88 kg / 6.35 lbs



Measurements may vary +/- 1/4"