



# Product Specification Sheet

## COX

**Company name:** Paini  
**Reference number:** 78CR576VY

### Product Description

single lever sink mixer extractable faucet.  
Available in chrome finish.

### Finishing Options

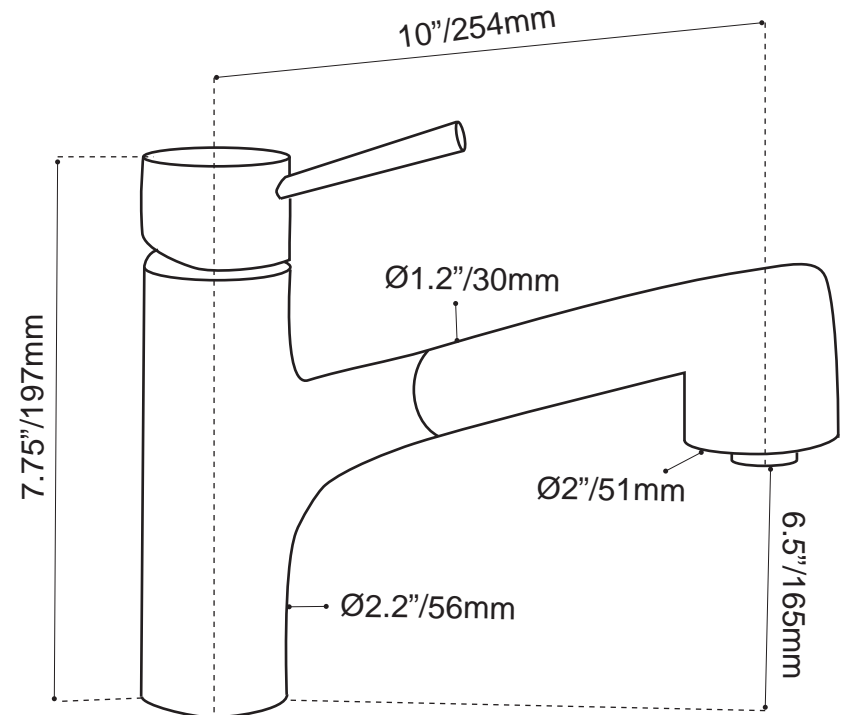


Chrome

### Shipment Information

**Dimensions:** 48.5 X 25 X 9.5cm  
19" x 9.8" x 3.7"

**Weight:** 2.92 kg / 6.43 lbs



Measurements may vary +/- 1/4"