



# Product Specification Sheet

## COX

**Company name:** Paini

**Reference number:** 78CR576JO

### Product Description

Single lever sink mixer, extractable faucet. Available in chrome and brushed nickel finish.

### Finishing Options



P.V.D

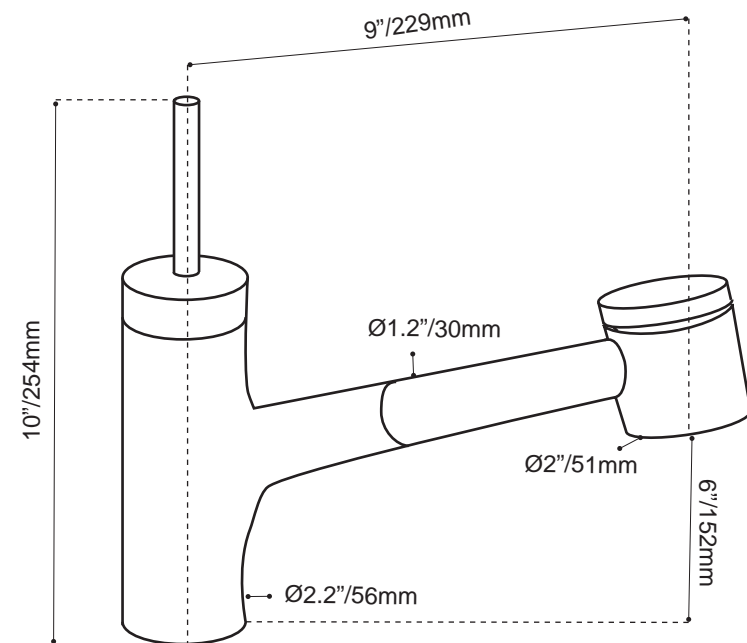


Chrome

### Shipment Information

**Dimensions:** 48.5 x 25 x 9.5 cm  
19" x 9.8" x 3.7"

**Weight:** 2.9 kg / 6.45 lbs



Measurements may vary +/- 1/4"