



Product Specification Sheet

COX

Company name: Paini
Reference number: 78CR558

Product Description

Single lever spring kitchen faucet.
Available in chrome and brushed nickel.

Finishing Options

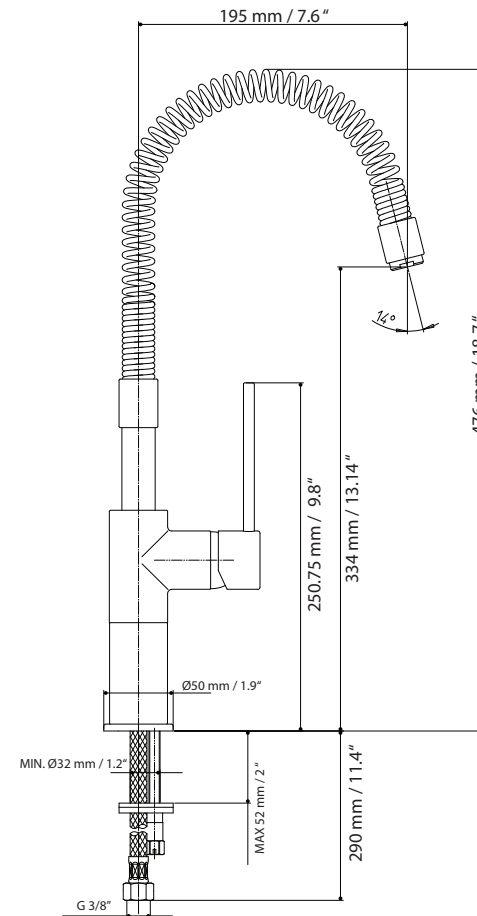


P.V.D Chrome

Shipment Information

Dimensions: 48.5 x 25 x 9.5cm
19" x 9.8" x 3.7"

Weight: 3 kg / 6.6 lbs



Measurements may vary +/- 1/4"