



# Product Specification Sheet

## BARI

**Company name:** Valley

**Reference number:**

S1634.557.210

### Product Description

- Features a dual pull-out spray head and 360-degree swivel.
- Corrosion proof and discoloration resistant.
- Complies with CSA and IAPMO eco-friendly standards
- Made for a single-hole mounting
- Includes drip-free ceramic cartridge
- Brushed solid stainless steel construction
- Water flow: 2.2 GPM/8.3 LPM

### Finishing Options

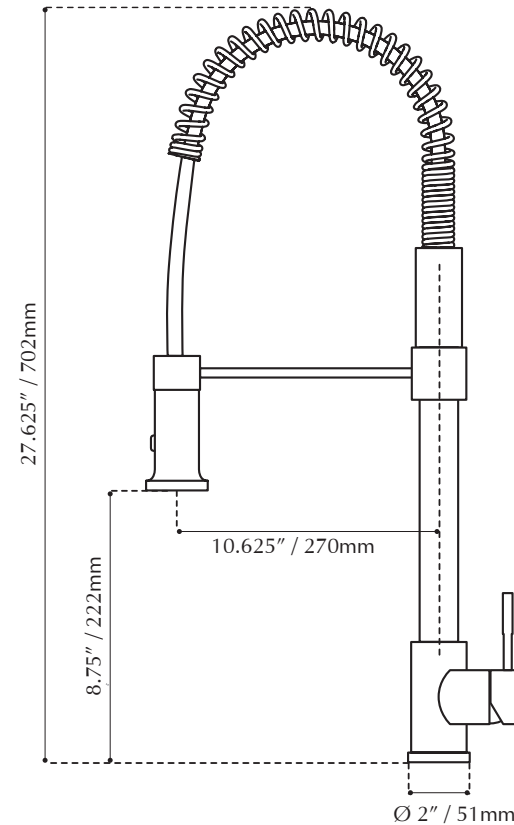


Stainless steel

### Shipping Information

**Dimensions:** 85.7 x 36.2 x 8.3 cm  
33.75" x 14.2" x 3.2"

**Weight:** 3.85 kg / 8.48 lbs



Measurements may vary +/- 1/4"