

1 2 3 4 5 6

A

A

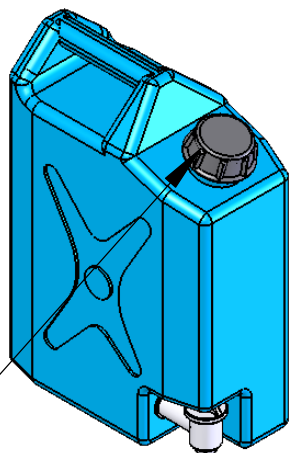
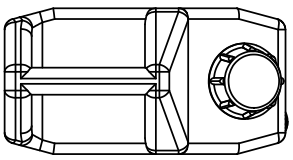
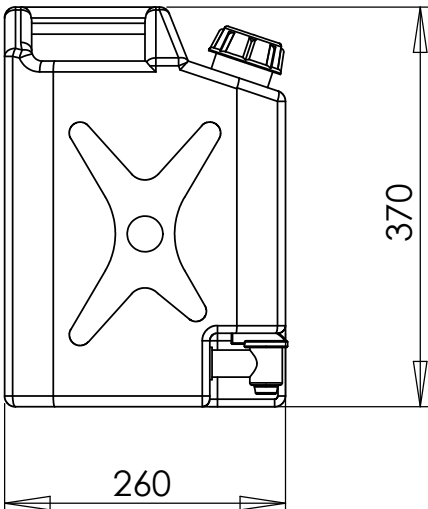
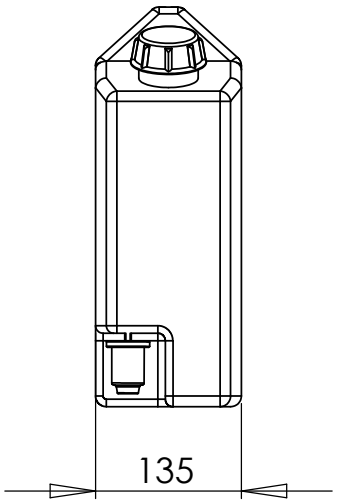
B

B

C

C

D



50 mm SCREW CAP

TAP

**PROPRIETARY AND CONFIDENTIAL**

THE INFORMATION CONTAINED IN THIS DRAWING IS THE SOLE PROPERTY OF PIONEER PLASTICS (Pty) Ltd. ANY REPRODUCTION IN PART OR AS A WHOLE WITHOUT THE WRITTEN PERMISSION OF PIONEER PLASTICS (Pty) Ltd IS PROHIBITED.



DO NOT SCALE DRAWING

REVISION 00

**PIONEER PLASTICS (Pty) Ltd**

TITLE:

10 LIT WATER CAN + TAP

MATERIAL:

DWG NO.

PA015T

A4

WEIGHT:

SCALE:1:10

SHEET 1 OF 1

1 2 3 4 5 6