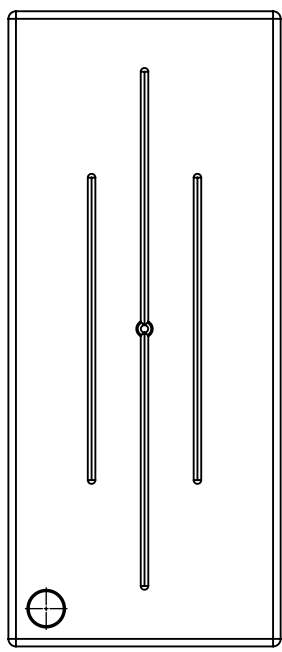
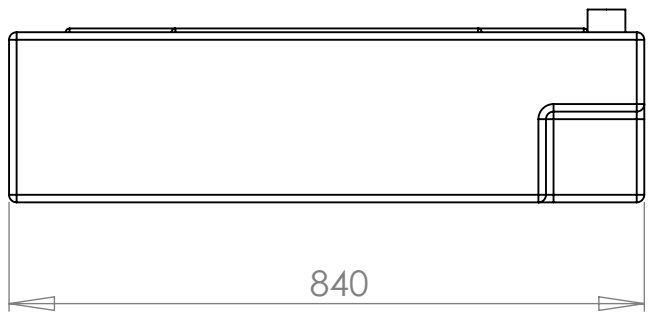
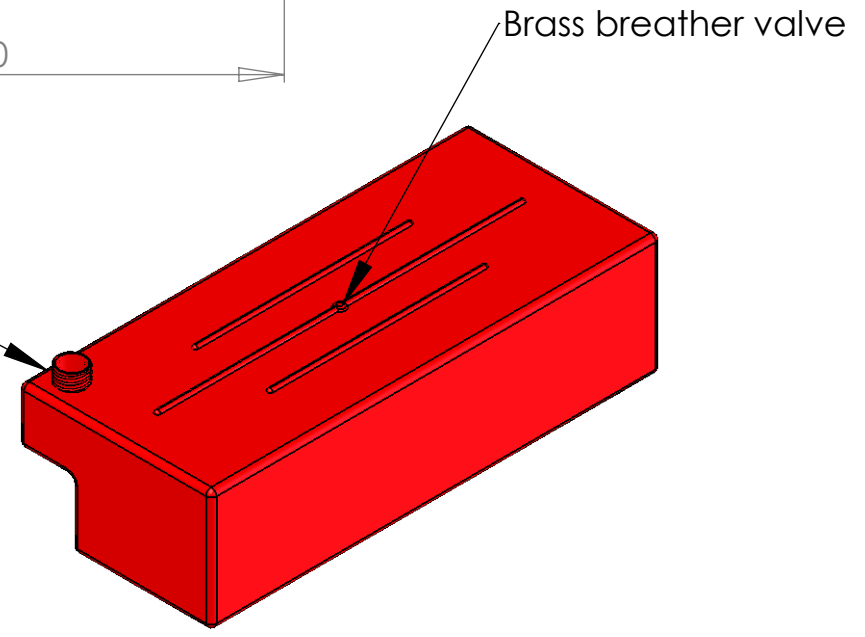


1/2"x10mm Hosetail



50mm Plastic screw cap



Brass breather valve

# PIONEER PLASTICS

Anything's Possible

**PROPRIETARY AND CONFIDENTIAL**  
 THE INFORMATION CONTAINED IN THIS DRAWING IS THE SOLE PROPERTY OF PIONEER PLASTICS (Pty) Ltd. ANY REPRODUCTION IN PART OR AS A WHOLE WITHOUT THE WRITTEN PERMISSION OF PIONEER PLASTICS (Pty) Ltd IS PROHIBITED.

REVISION : 00		TITLE: 60L Fuel tank	
DO NOT SCALE DRAWING		DWG NO. HT025F	
MATERIAL: Polyethylene		A4	
WEIGHT:	SCALE:1:5	SHEET 1 OF 1	