



Srwor V2 Laser Machine Manual



WhatsApp

Contact Us

Service Email: Srwor.spt@gmail.com

Official Website: www.srwor.com



Operation Video

Please Open The Manual

Let's experience the process of operating this simple machine together



ABOUT USERS

Dear Srworer,

Thank you for purchasing the SRWOR V2 Laser Glue Remover. Our SRWOR V2 laser machine is a 2-in-1 laser equipment that integrates glue and engraving products for re-pairing the back cover of mobile phones, and is mainly used for mobile phone repairs.

Srwor V2 has auto focus function, eye protection system and laser cooling system, equipped with air filter and mobile phone back cover mold, etc., allowing you to safely remove glue when repairing mobile phones. The high-precision,stable power machine is used with an air filter to bring you the best laser degumming experience and engraving experience.

For your better use and maintenance of the laser machine,please read the manual carefully and follow the steps in the manual.

If you have any questions about the use of the laser machine, please feel free to contact us. We have a professional after-sales team and technical research and development team, which can help you solve all technical problems in time and give you the most reliable experience.Thank you again for your support, we will continue to provide high-quality products and services in the future, and welcome to join us.

Sincerely



WhatsApp

Contact Us

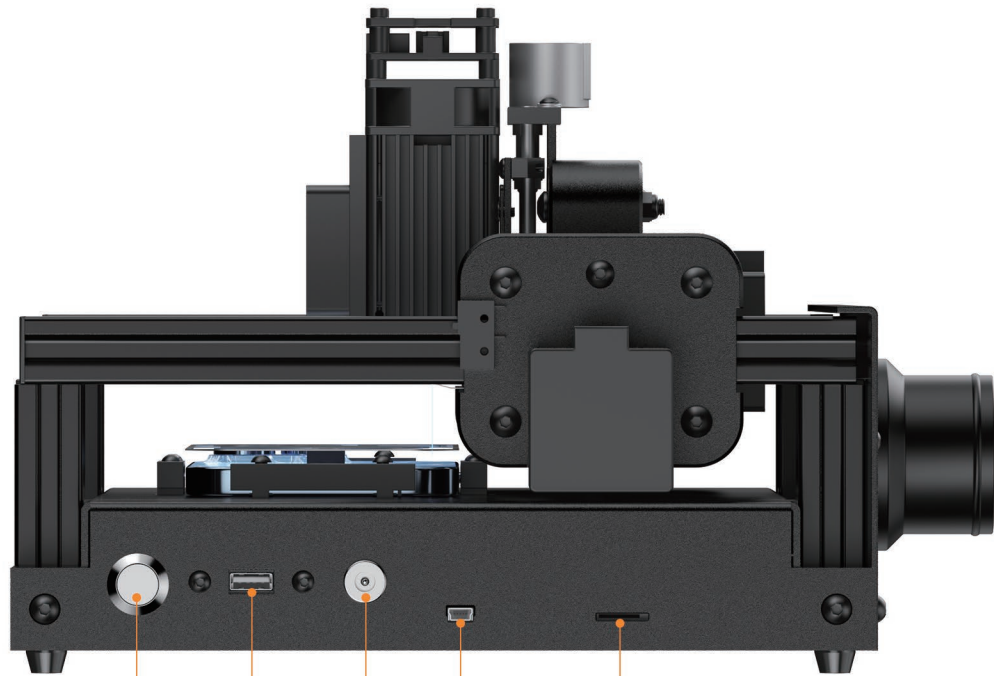
Service Email: Srwor.spt@gmail.com

Official Website: www.srwor.com



TABLE OF CONTENTS

MACHINE INTRODUCTION.....	01
ACCESSORIES INTRODUCTION.....	02
LASER HEAD INSTALLATION.....	03
MACHINE CONNECTION.....	04
.....	05
MACHINE USE.....	06
.....	11
SUPPORTED MODEL LIST.....	12
FREQUENTLY ASKED QUESTIONS.....	13
.....	14
MACHINE PARAMETERS.....	15
INTRODUCTION TO SCREEN BUTTONS.....	16
HOUSING ASSEMBLY.....	17
.....	18



Switch
Screen interface
Power Interface
Data Line Interface
Memory Card Slot



Filter Switch
Power Interface



Laser Module



Power Supply



Power Cable



Breakout Line*1



Data Line*2



Screen*3



Blasting Pen*4



Positioning Plate*5



Fixed Focus Column*6



U Disk*7



Protection Goggle*8



Screwdriver Kit*9



Rubber Pad*10



Thick Tube *11



Thin Tube*12



Back Cover Mold*13



Manual



Filter



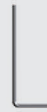
Filter Mask

- *1 For simultaneous connection of filters and lasers
- *2 For connecting to the screen (can also be used to connect to the computer)
- *3 After connecting the machine, it is used to control the machine
- *4 For blasting glass backs
- *5 For positioning (the position is preset before leaving the factory, generally not needed)
- *6 For measuring laser
- *7 It is used to update the memory card files later
- *8 Anti-laser glasses
- *9 M2, M2.5, M3 screwdriver × 1
- *10 For raising molds
- *11 Thick tube × 1 (for connecting the machine and filter)
- *12 Thin tube × 1 (for exhaust)
- *13 Used to cover the position of the back cover components of the Apple mobile phone

LASER HEAD INSTALLATION



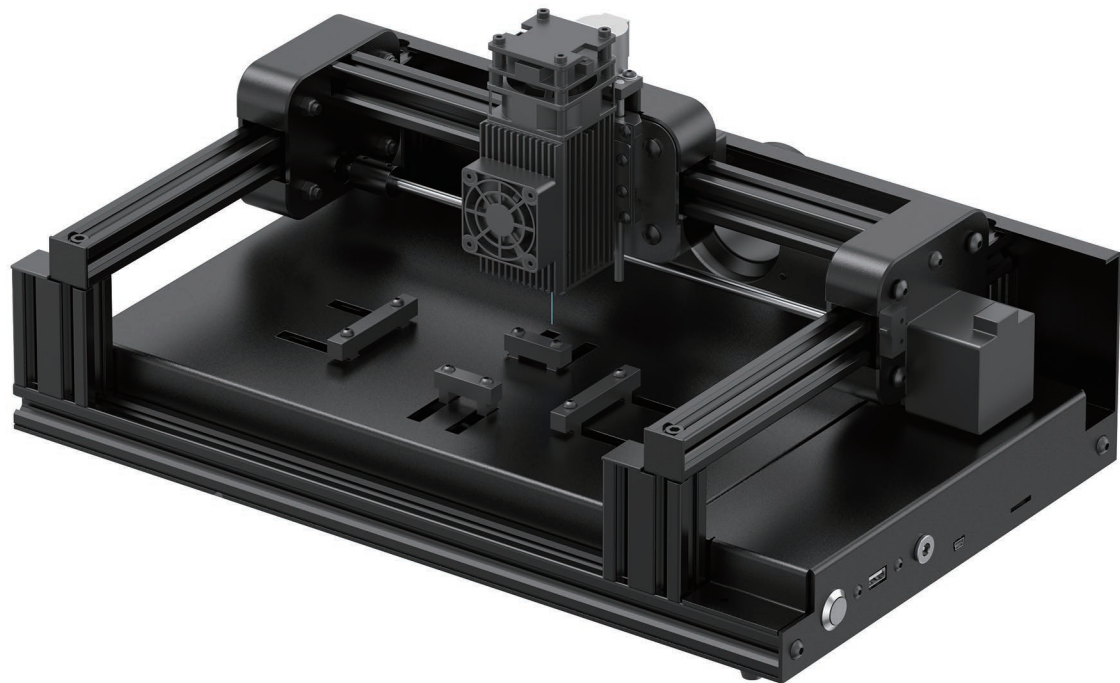
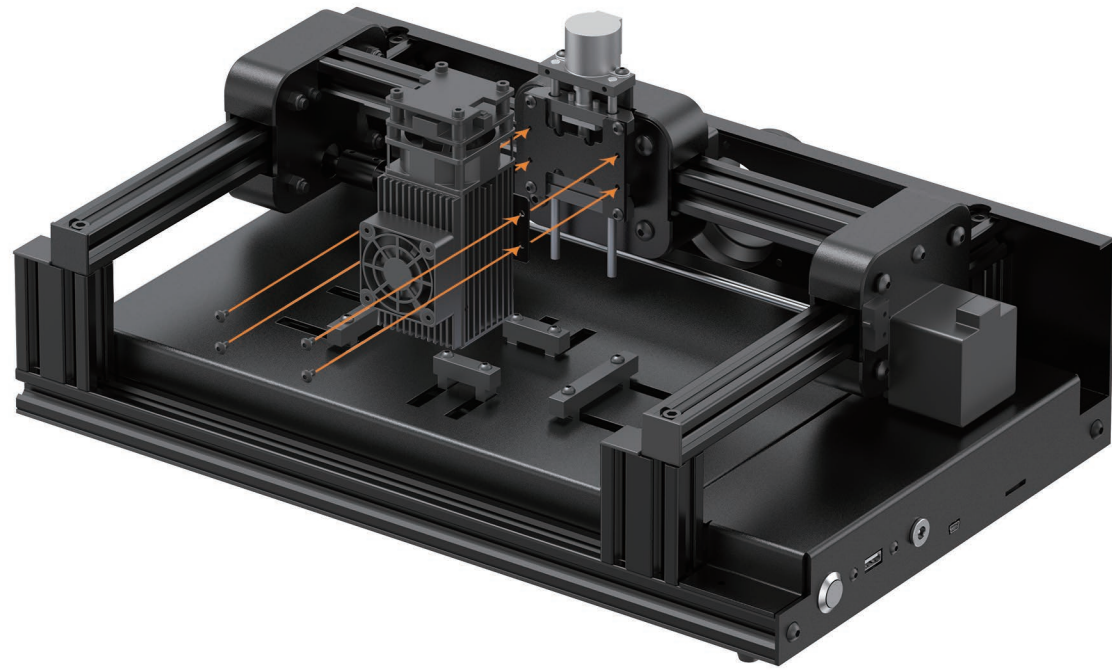
Laser Module



Screwdriver



M3*4



MACHINE CONNECTION



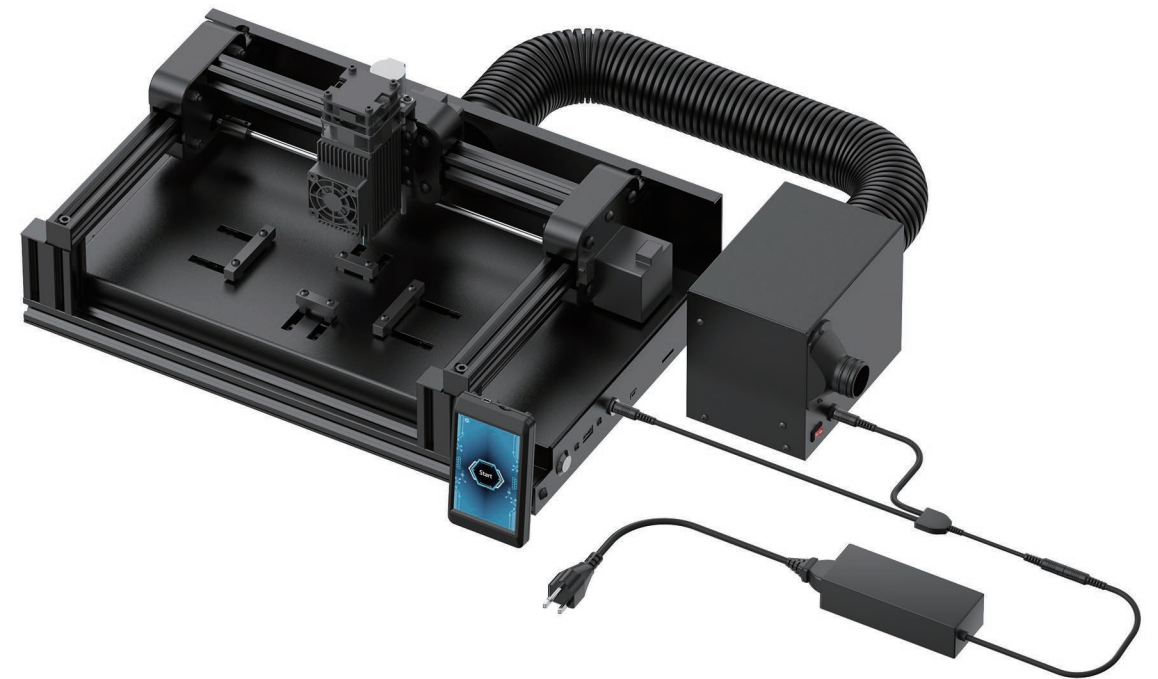
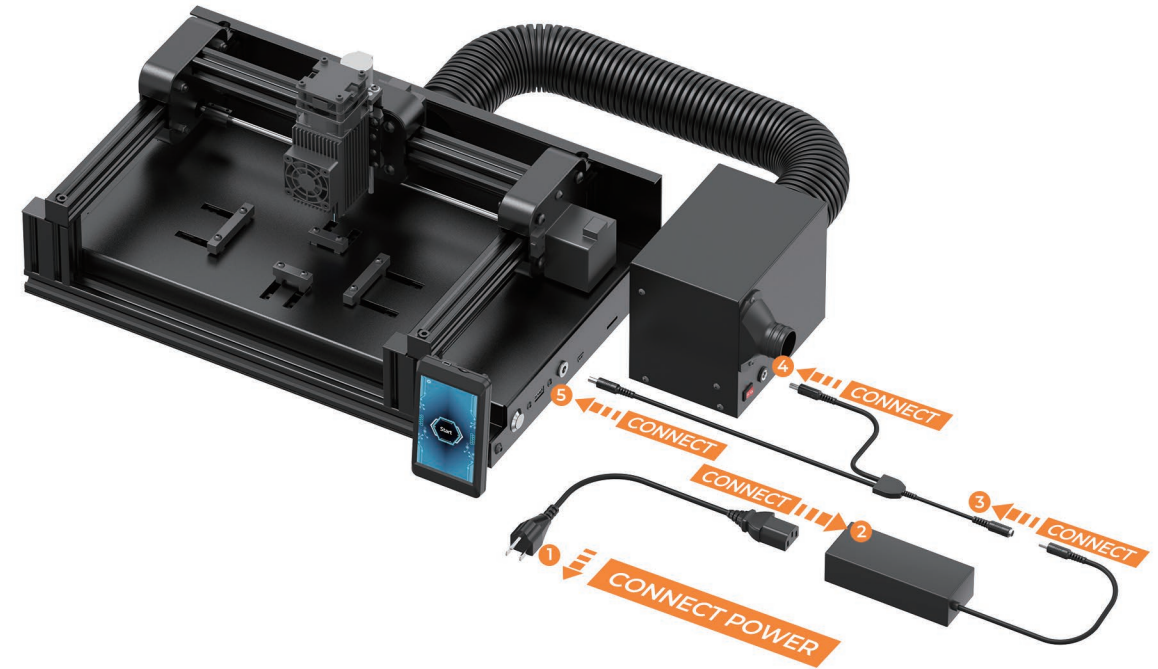
Power Supply



Power Cable



Breakout Line

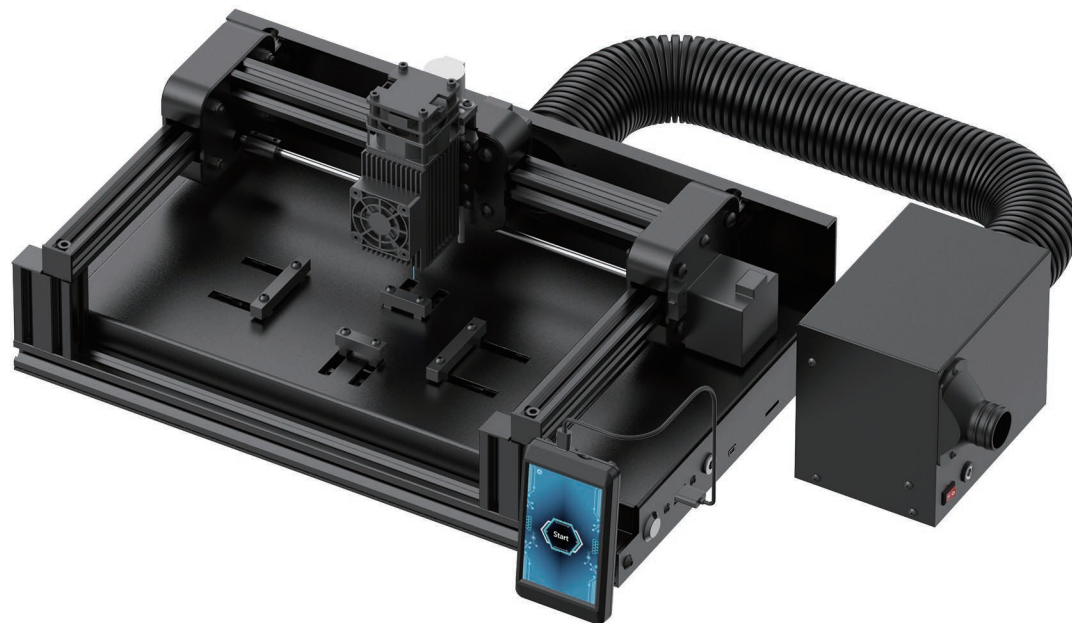
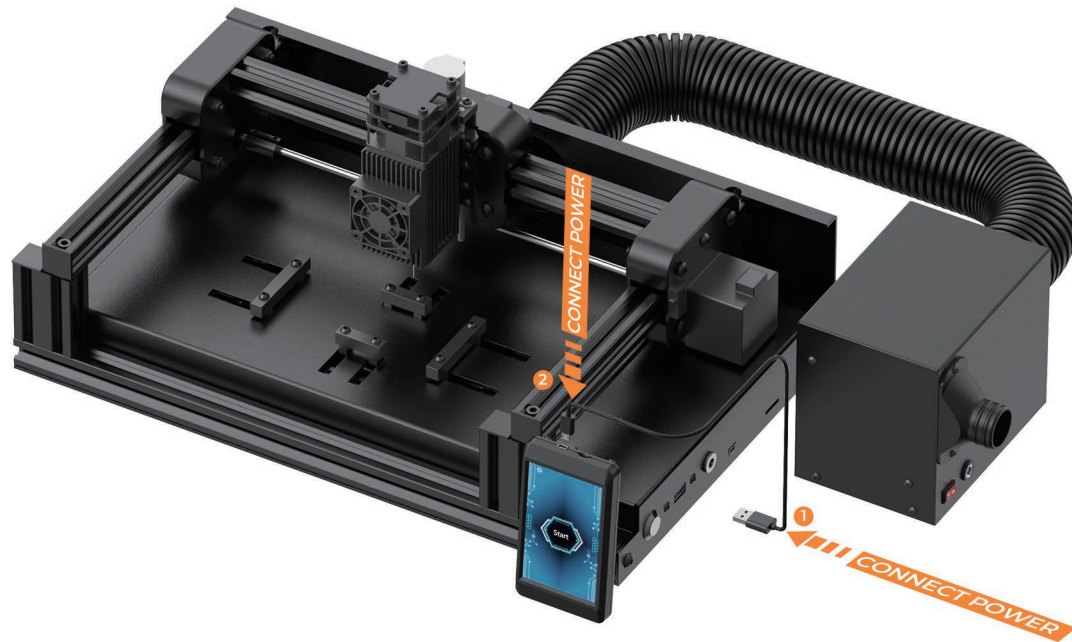




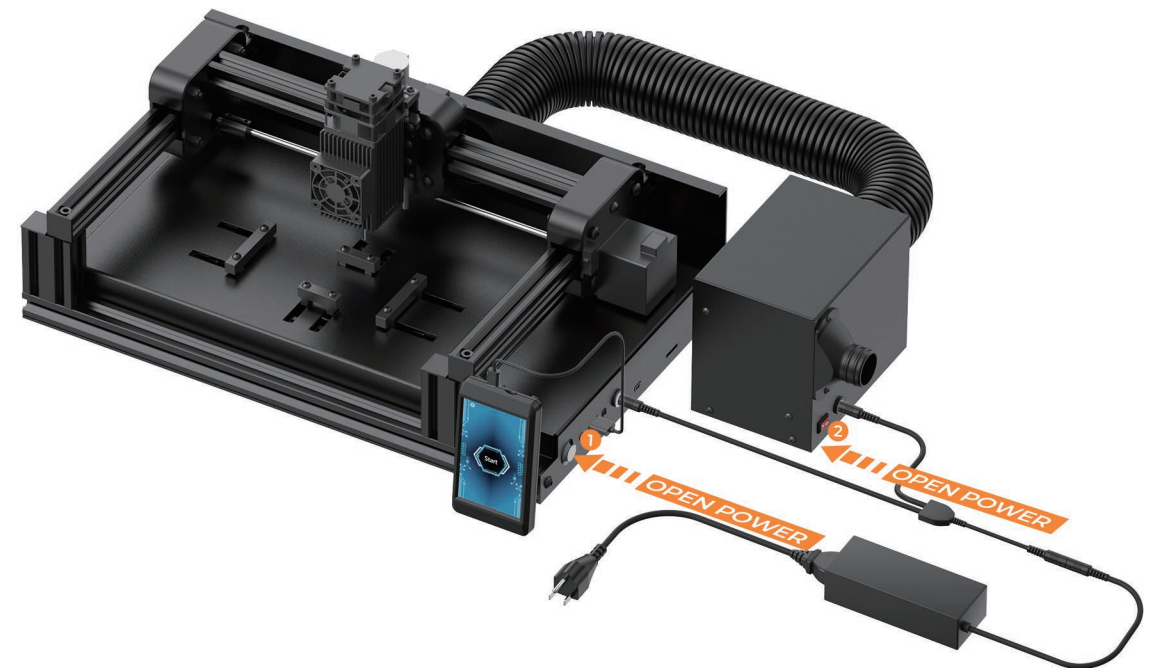
Data Line



Screen



Turn on the machine power and filter power at the same time



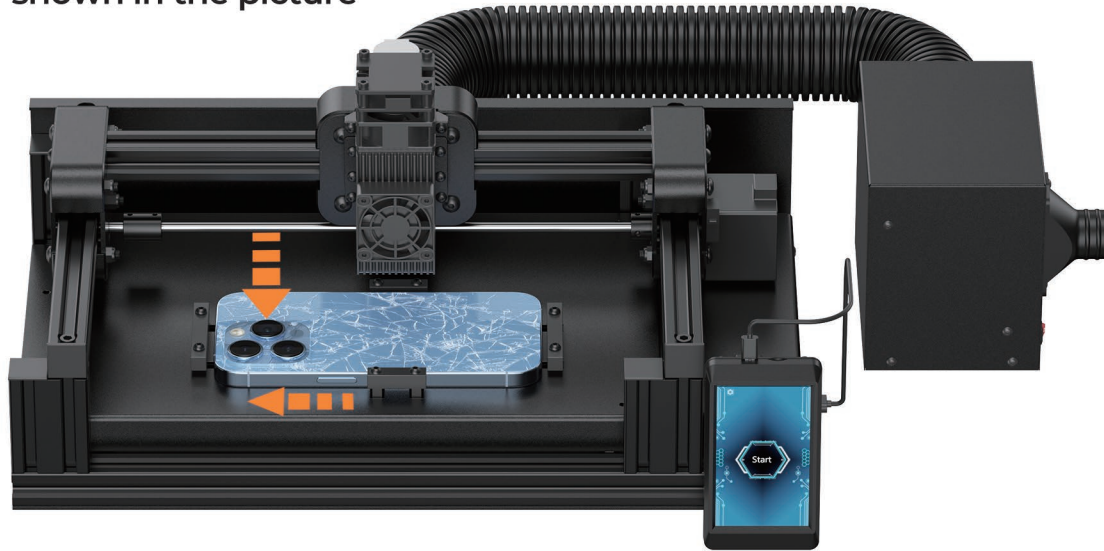
The machine clamps are in a clamped state when leaving the factory, and you need to click the "untie" button on the screen.





Phone

After the clamp is opened, put the mobile phone in the direction as shown in the picture



Click the "Home" button and wait for the machine to automatically position itself.

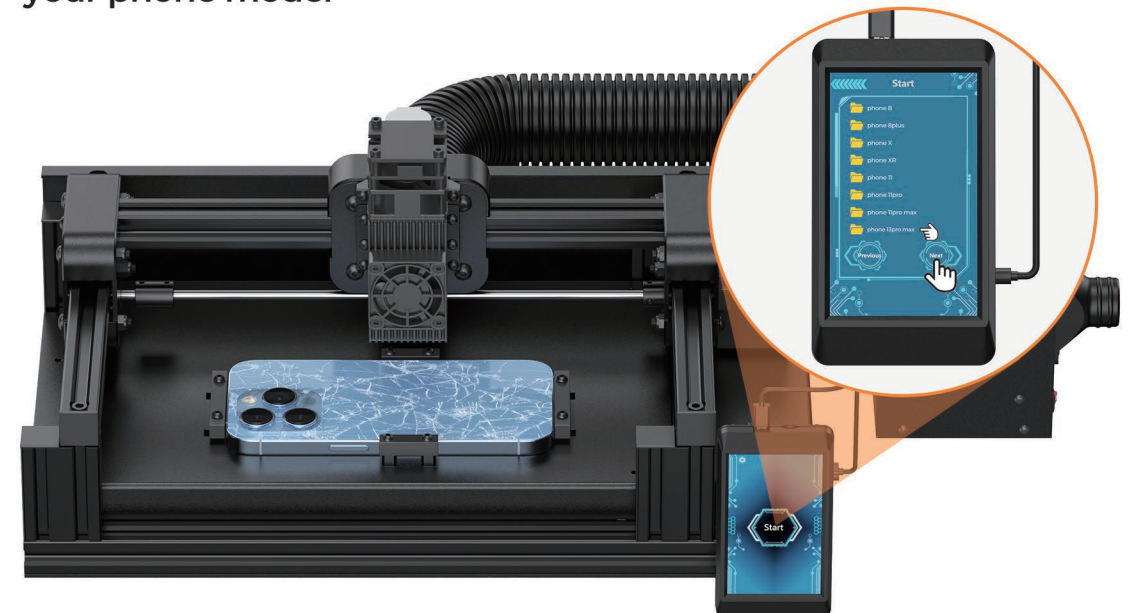


Screen

After positioning is complete, click "File"



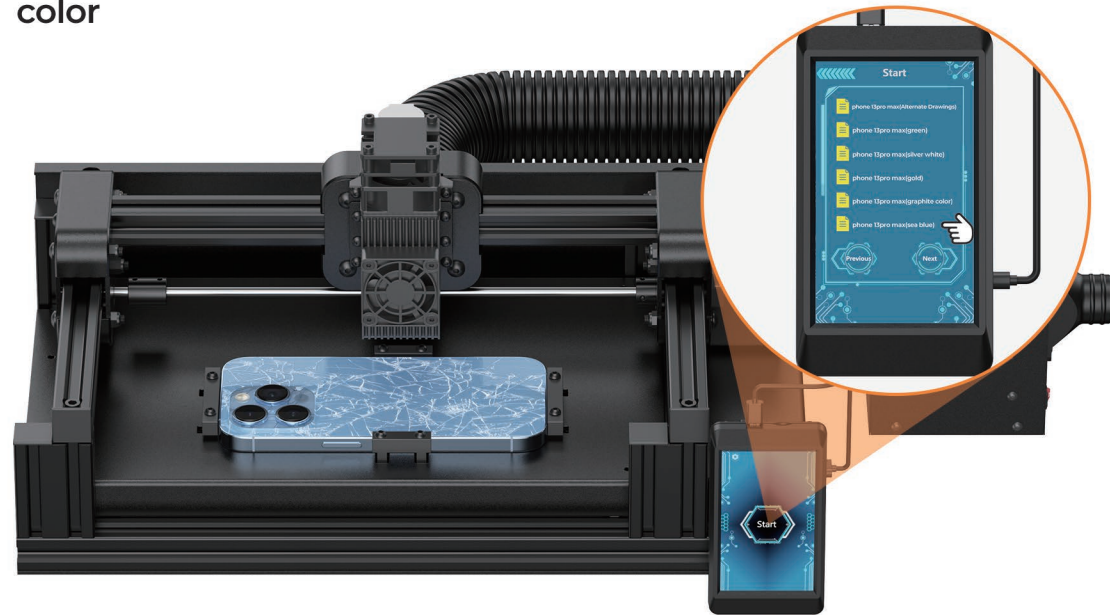
You can turn the page and select the your phone model



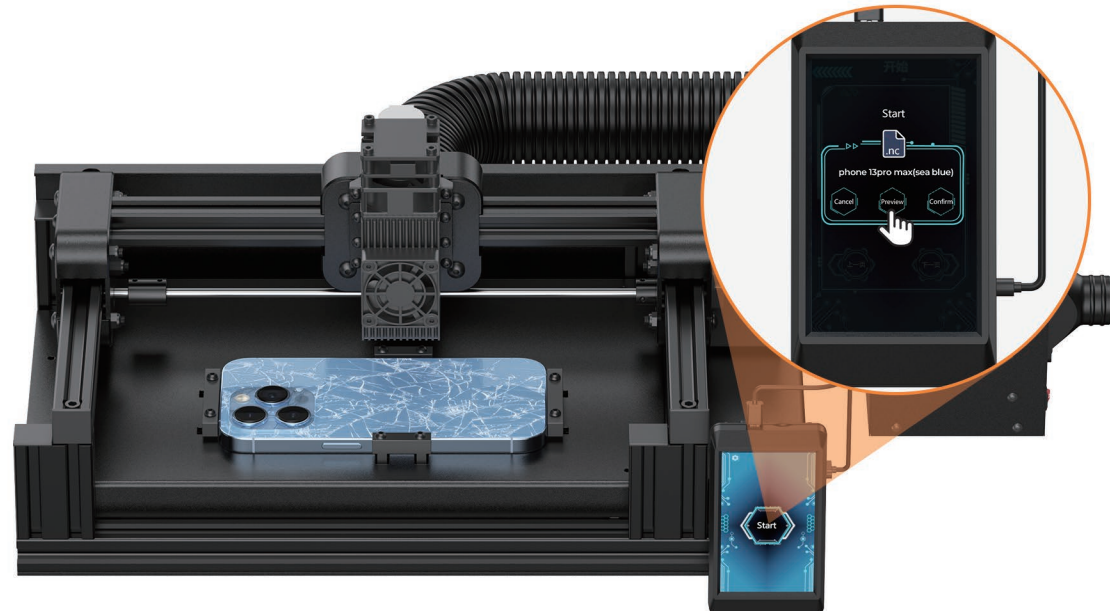


Screen

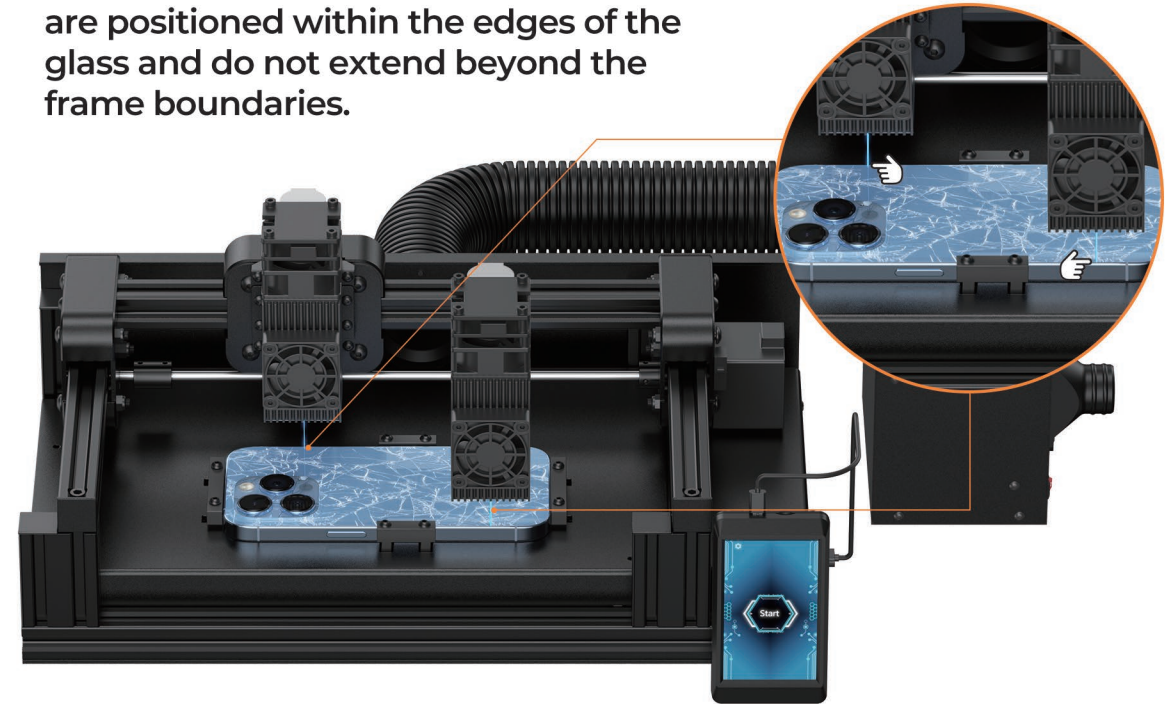
Select the corresponding model and color



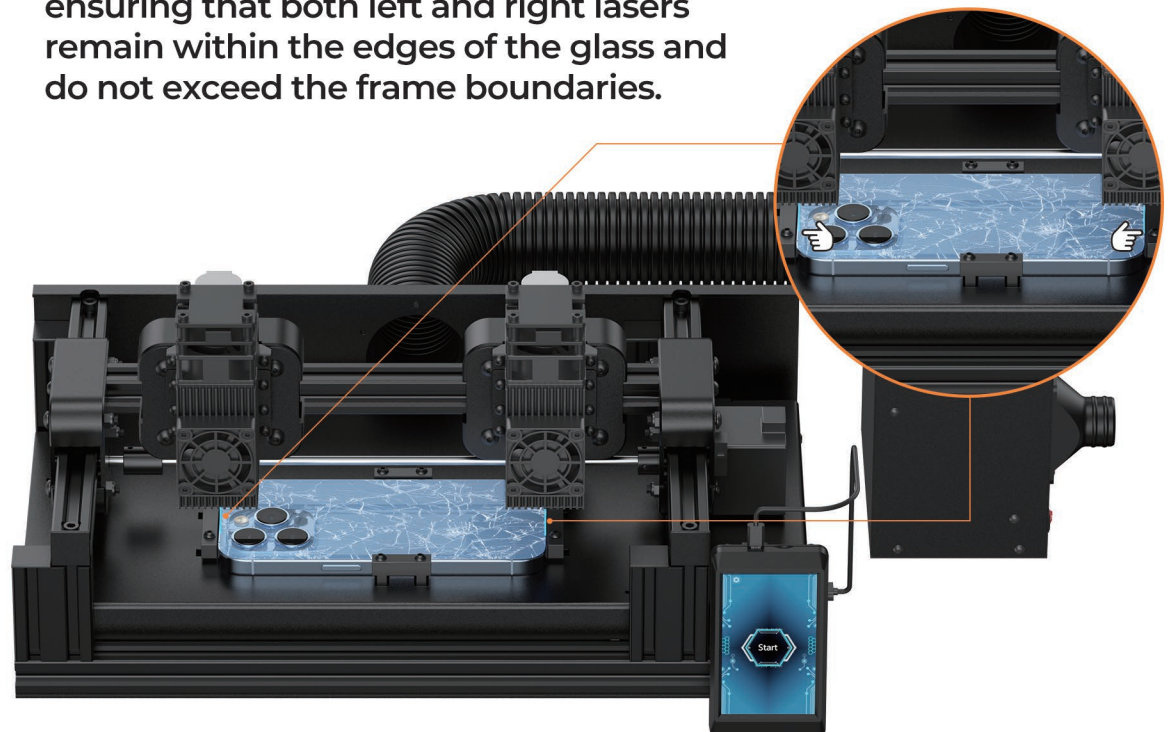
Click "preview"



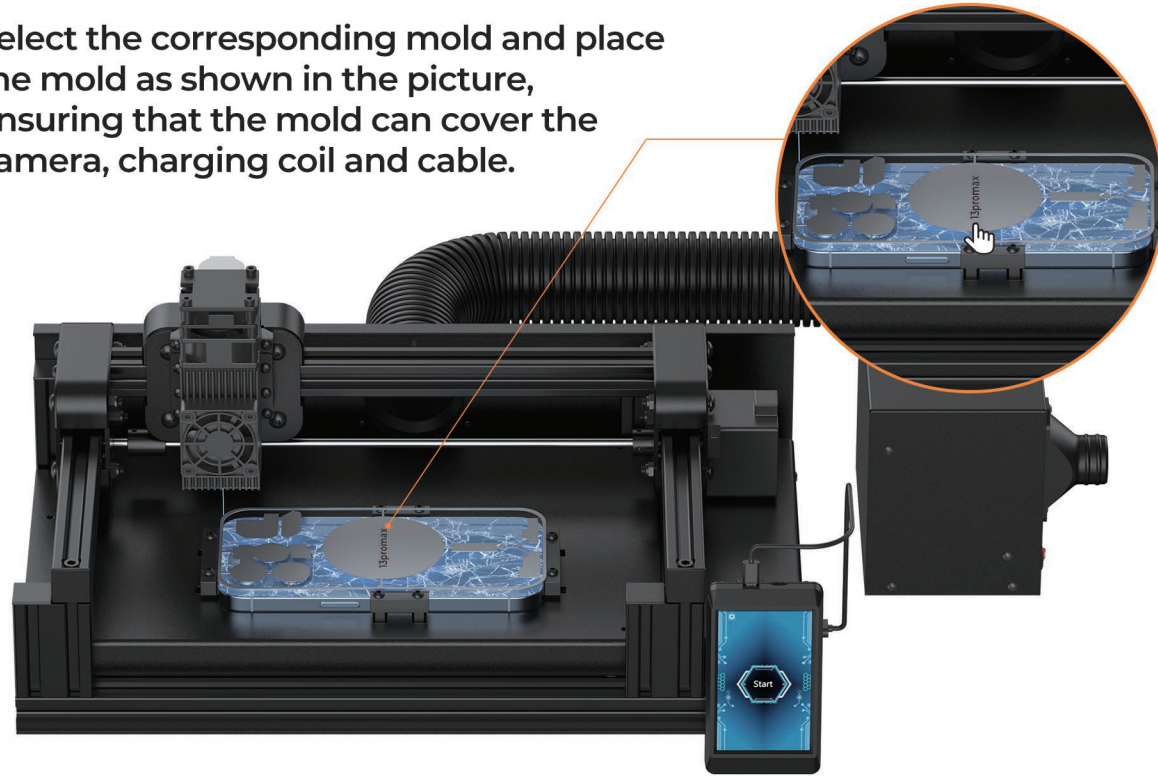
Please observe the laser preview track, ensure that the upper and lower lasers are positioned within the edges of the glass and do not extend beyond the frame boundaries.



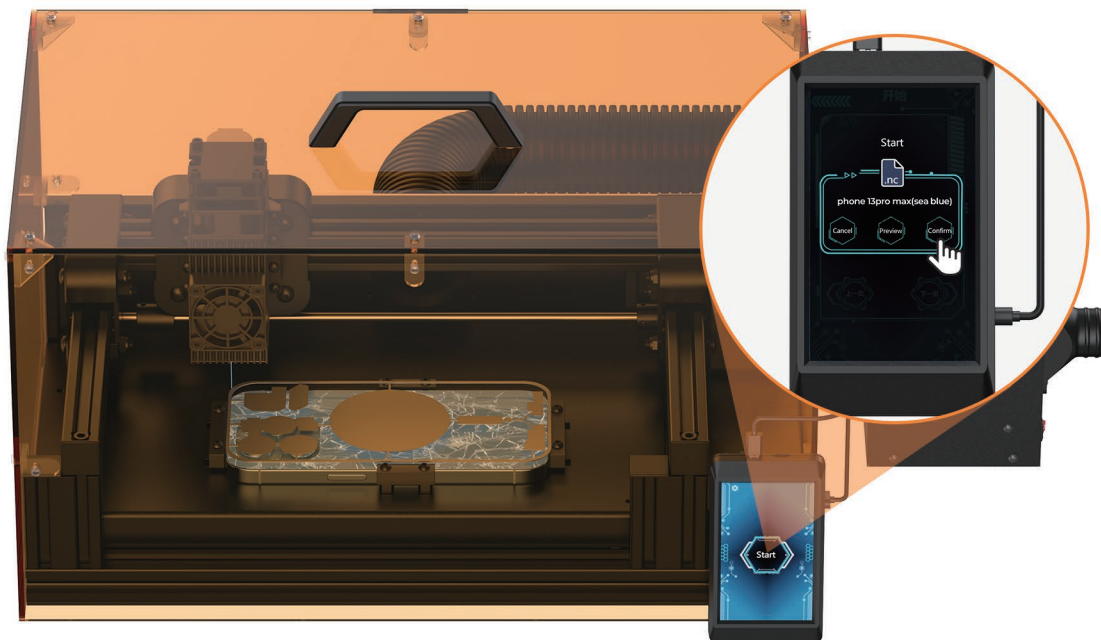
Please observe the laser preview path, ensuring that both left and right lasers remain within the edges of the glass and do not exceed the frame boundaries.



Select the corresponding mold and place the mold as shown in the picture, ensuring that the mold can cover the camera, charging coil and cable.



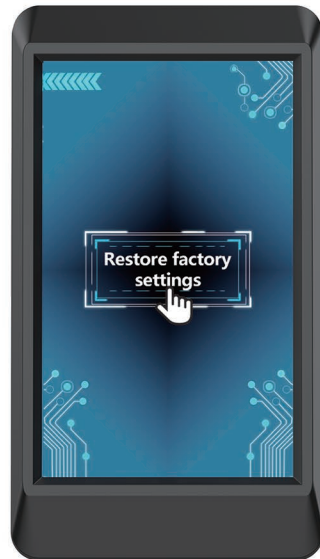
Place the protective cover over and click "Confirm" on the screen. The machine will initiate automatically



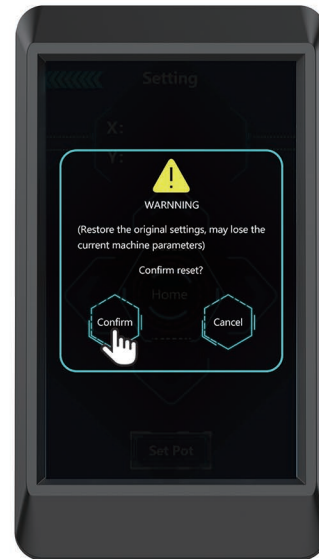
Before leaving the factory, all machines undergo testing and have their coordinates pre-set. However, it is normal for machines to experience coordinate deviations during transportation. To address this issue, the following measures can be taken:



1. Click on the gear



2. Click to restore factory settings



3. Click to confirm



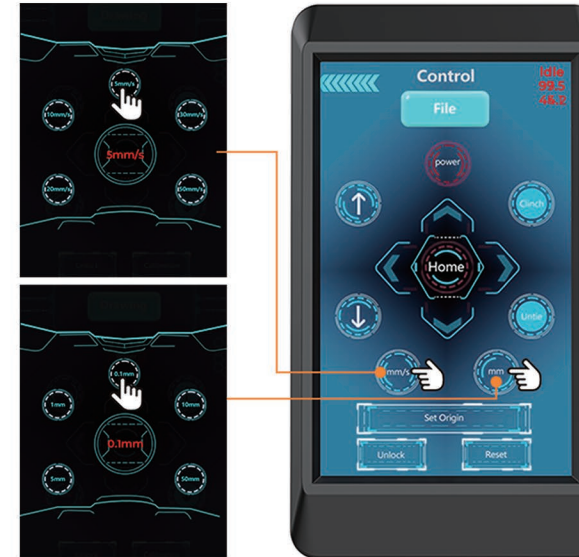
4. Adjust coordinates via arrow keys



5. Adjust the coordinates of the upper right corner to be the same as the coordinates of the upper right corner of the machine. Finally click "Set Origin"



Note! Please refer to the coordinates of the actual machine. The instructions are only for demonstration purposes.



5.1 The fifth point is to add that when the movement distance is too far, you can fine-tune it by setting the mm size. When the moving speed is too slow, you can deal with it by setting the mm/s speed. mm&mm/s settings do not affect the speed of glue removal

After completing the above steps, you can click on the file to restart the preview.

If there is still a deviation in the preview path on the machine at this time, you can adjust the coordinates according to the deviation and reset the origin until the preview path is accurate. (Refer to step 4 step 5 step 5.1)

Brand Name	Srwor
Model	S1-4045
Series	V2
Power input	DC 12V7A
Equipment material	Aluminum alloy
Engraving range	171mm long, 85mm wide, 15mm high
Applicable materials	Wood products, metal paint, leather, plastic, paper products, bamboo, stone
Picture format	JPG/E/BMP/TIF/GIF/ SVG
Working Temperature	-20~70 degrees Celsius
Filter tube	5m
Function	<ul style="list-style-type: none"> ● One-button automatic positioning ● Automatic adjustment of laser height ● The camera area automatically compensates for laser height ● Remove glue quickly
Software update	Apple mobile phone repair software updates can be directly contacted customer service or downloaded from srwor official website



Stop using at high temperatures



Wear Protective Glasses



Do not look directly at the laser



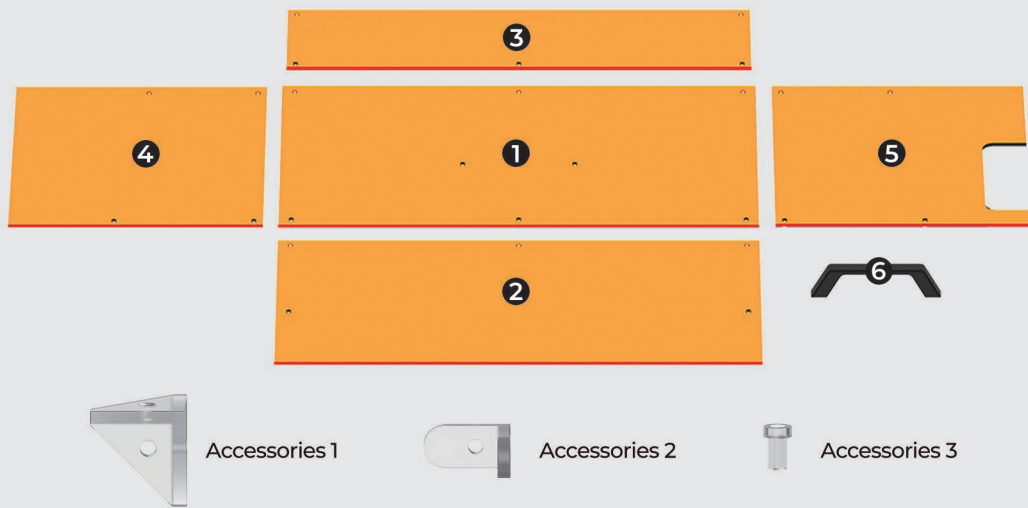
Avoid Children



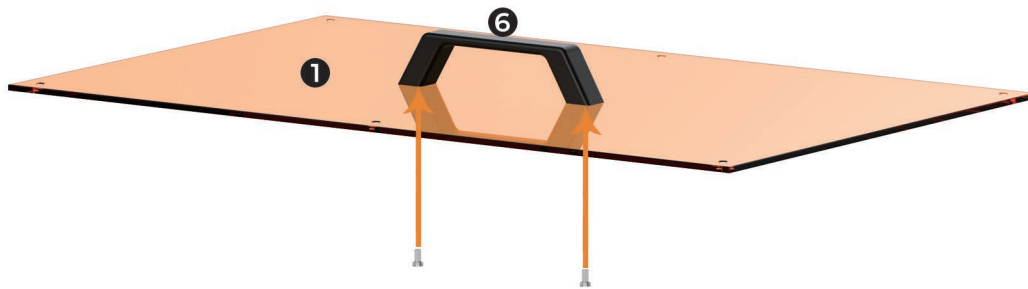
Avoid Carving Reflective Objects



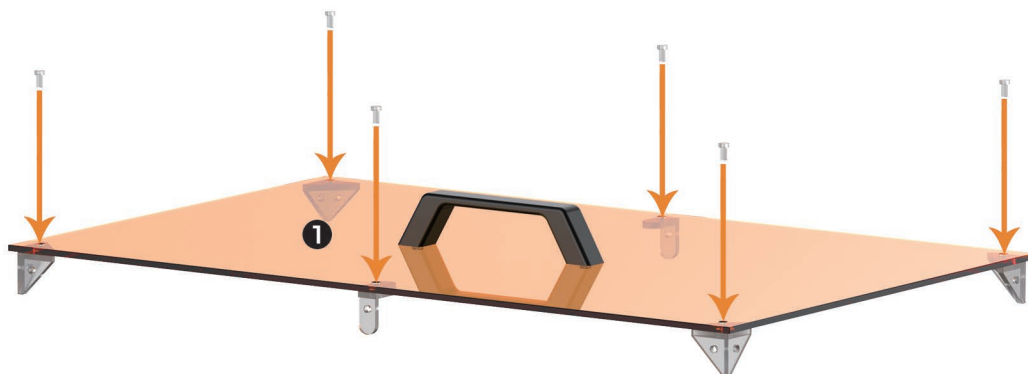
Users are asked to sort according to the following methods so that the cover can be installed faster and easier.



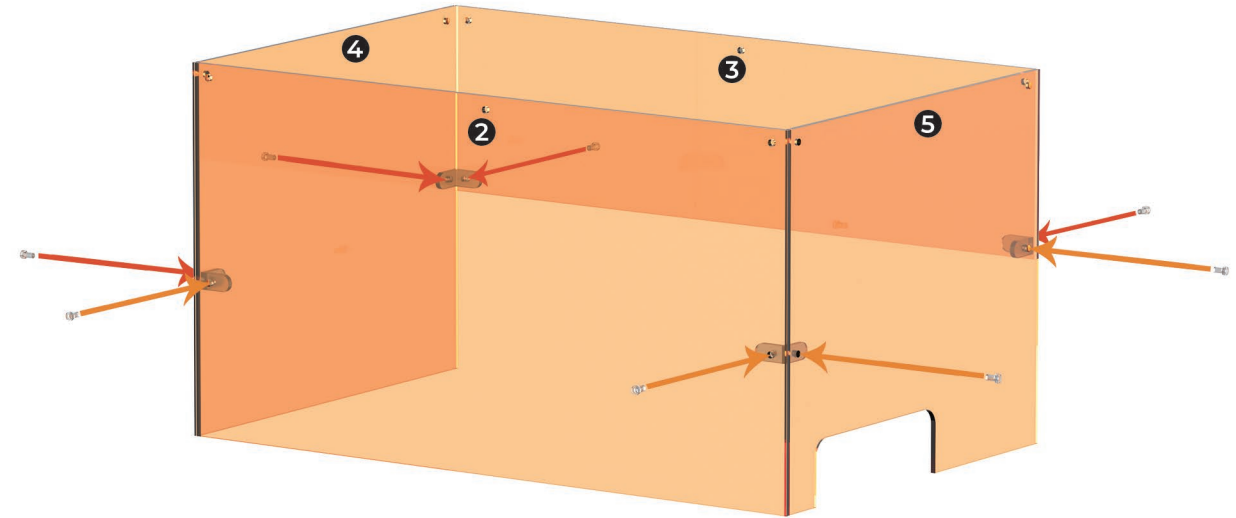
As shown in the picture, please use “accessory 3” to install No. 1 and No. 6.



As shown in the picture, please use “accessories 1” and 2 to install on No. 1



As shown in the picture, please use “accessories 2” and “accessories 3” to install on No. 2, No. 3, No. 4, and No. 5



As shown in the picture, please use “accessory 3” to connect No. 1, No. 2, No. 3, No. 4 and No. 5 together.

