



SCHEDA TECNICA

TECHNICAL SHEET



INFANZIA

cod. VA1807

Vaso infanzia scarico a pavimento
Child closed floor drain

cod. VA1808

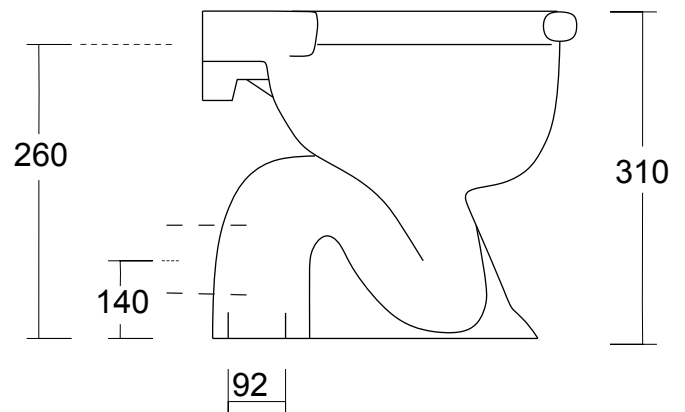
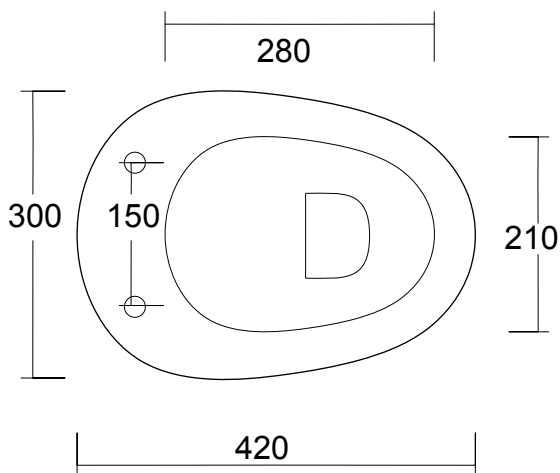
Vaso infanzia scarico a parete
Child closed wall drain

Misure:

Measures:

L 30 P 42 H 31 cm / 9 kg

CE EN 997:2018



* La distanza del centro foro scarico terra e riferita alla fine della base del sanitario, e non al muro

* The distance of the drainage hole center ground is related to the end of the sanitary base and not to the wall