



# SCHEDA TECNICA

## TECHNICAL SHEET



### DISABILI

**cod. VA1691**

Vaso/Bidet scarico pavimento c/erogatore  
*Floor mounted Wc/Bidet with Floor-trap with regulator*

**cod. VA1692**

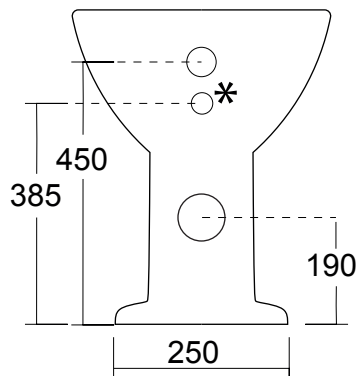
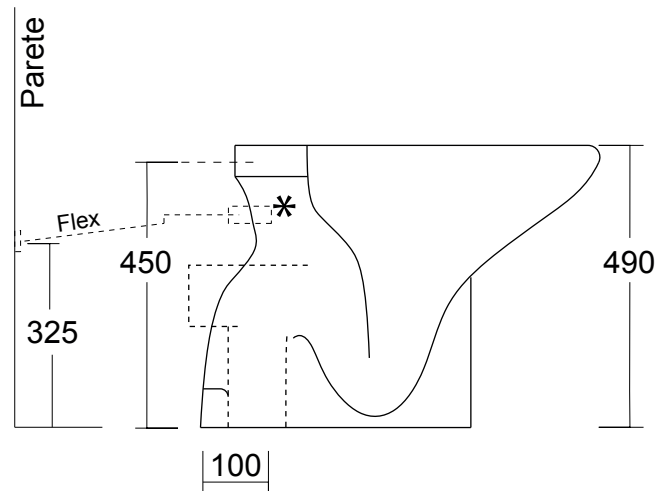
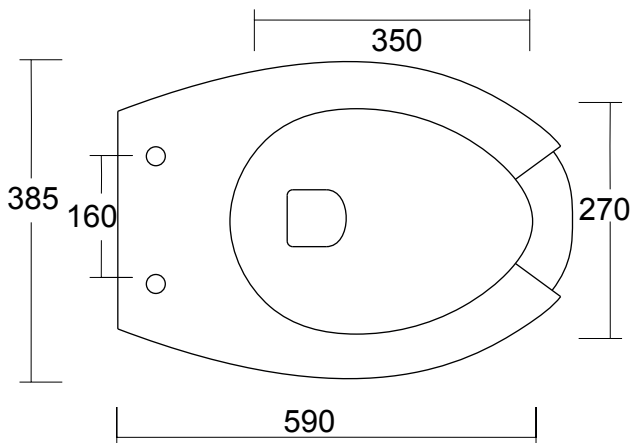
Vaso/Bidet scarico parete c/erogatore  
*Floor mounted Wc/Bidet with Wall-trap with regulator*

**Misure:**

*Measures:*

L 38,5 P 59 H 49 cm / 20 kg

CE EN 997:2018



\* erogatore acqua

