



# SCHEDA TECNICA

## TECHNICAL SHEET



### OXA

**cod. VA1582**

Vaso scarico a pavimento  
*Floor mounted WC with floor-trap*

**cod. VA1583**

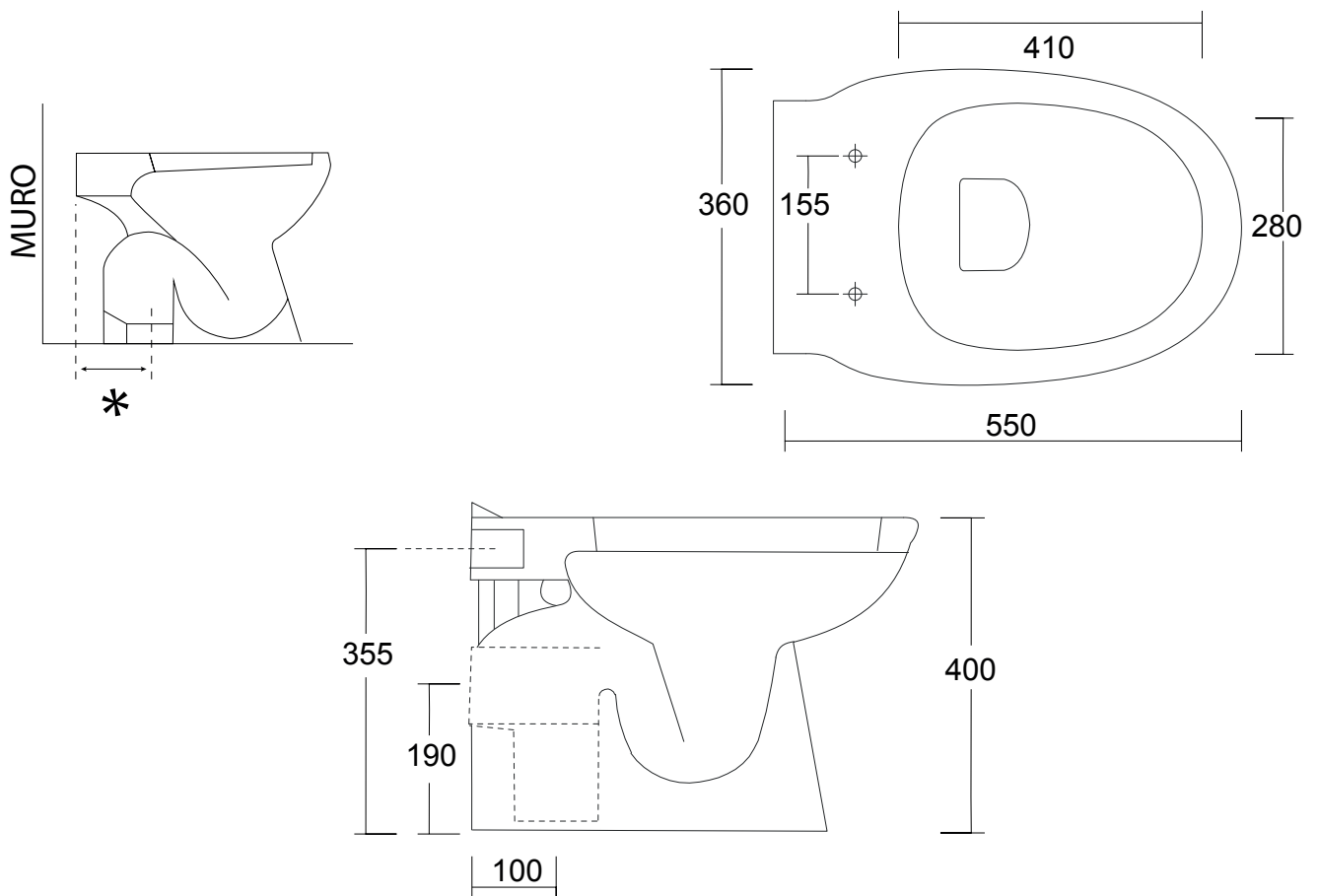
Vaso scarico a parete  
*Floor mounted WC with wall-trap*

**Misure:**

*Measures:*

L 36 P 55 H 40 cm / 20 kg

CE EN 997:2018



\* La distanza del centro foro scarico terra e riferita alla fine della base del sanitario, e non al muro

\* The distance of the drainage hole center ground is related to the end of the sanitary base and not to the wall