



# SCHEDA TECNICA

## TECHNICAL SHEET

### LAVANDERIA

**cod. LV1784**

Lavapanni  
*Wash-tube*

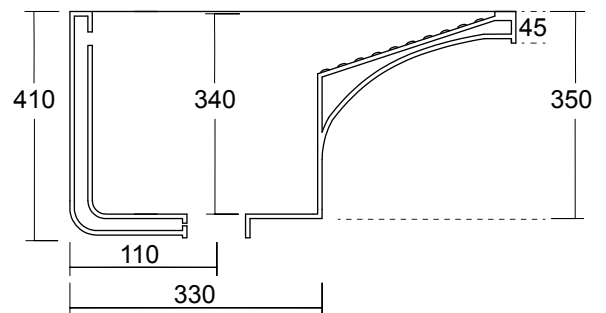
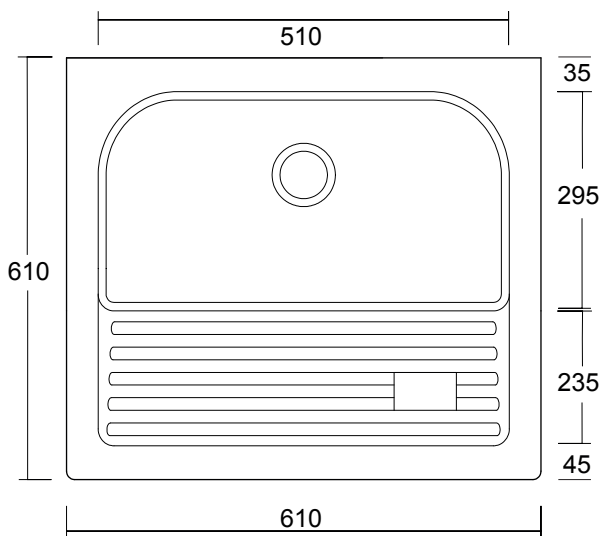


**Misure:**

*Measures:*

L 61 P 61 H 41 cm / 27 kg

CE EN 14688: 2015



\*OPZIONALE: Mobile abbinato cod. MO1875

\*Optional: Matched with support cabinet cod. MO1875