



Helping the world sense to safety™

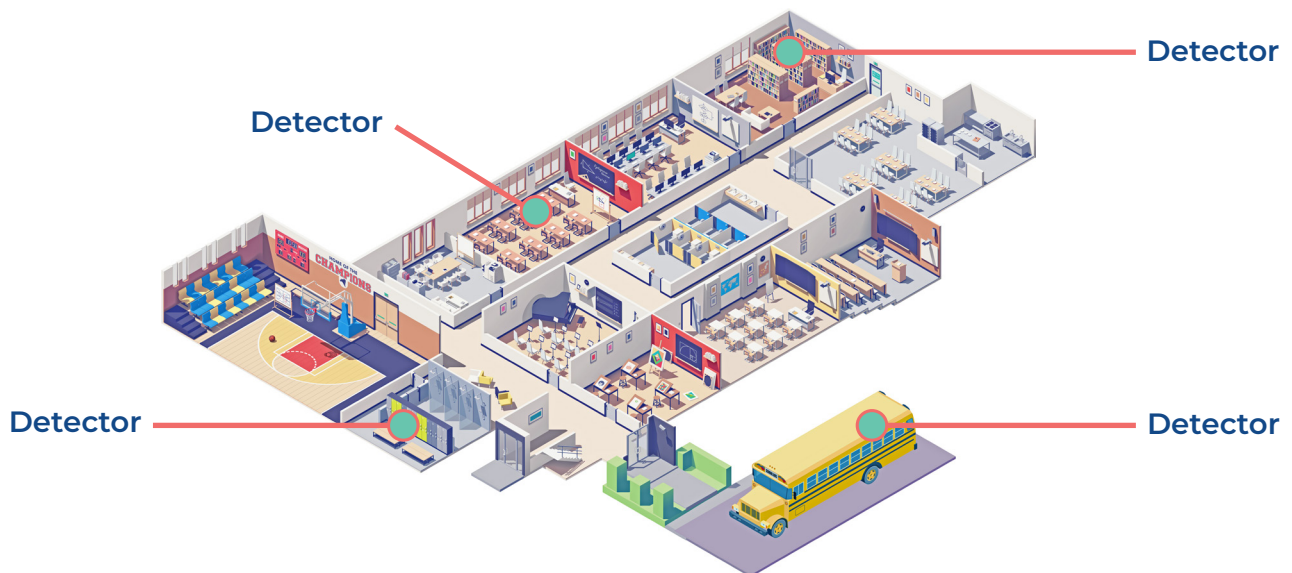
Zeptive Vape Detector Tech Specs



THE INDUSTRY'S FIRST WIRELESS VAPE DETECTOR HELPING SCHOOLS REDUCE STUDENT VAPING



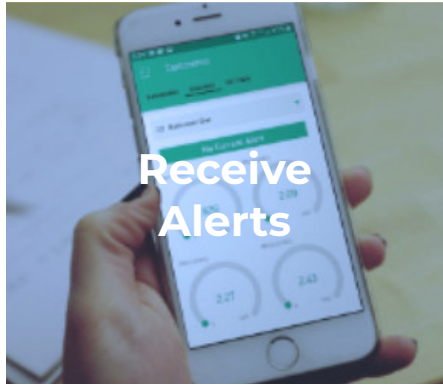
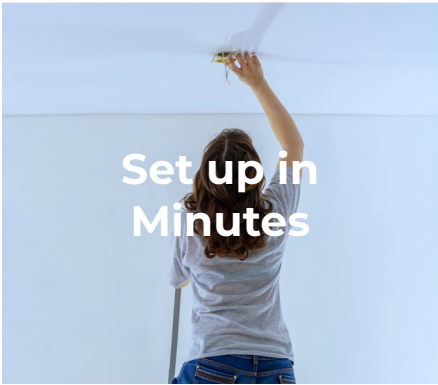
The Zeptive wireless “go anywhere” vape detector enables schools to easily and affordably monitor for student vaping in locations throughout the building.



Communicate your no-vaping policy with confidence.
Reduce teen vaping. Reclaim your restrooms.
(no cables required)



YOUR SYSTEM ARRIVES READY TO WORK.

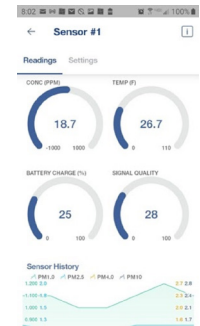


SYSTEM OVERVIEW: 4 KEY COMPONENTS

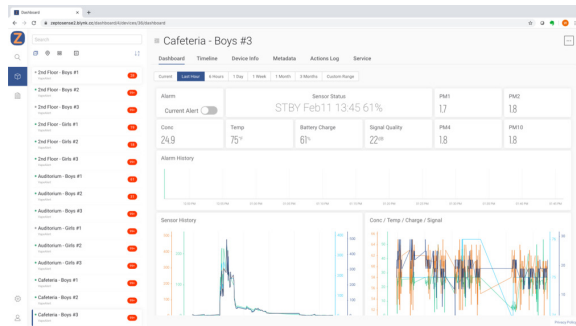
1. Hardware Vape Sensor



2. App Readings Screen



3. Web Console Dashboard Screen



4. Notification Options

- App
- Web Console
- Text
- Email
- Audible
- Multi-color LED

POWER OPTIONS

- Rechargeable Battery
- PoE+ (power over ethernet)
- External power via AC-DC transformer

COMM OPTIONS

- WiFi
- Cellular
- Ethernet

MOBILE APP

- Remote access, view and control sensors
- iOS & Android

ADVANCED DETECTION

All types of vape including:

- Nicotine
- Marijuana (THC)
- Flavored and non-flavored

HARDENED

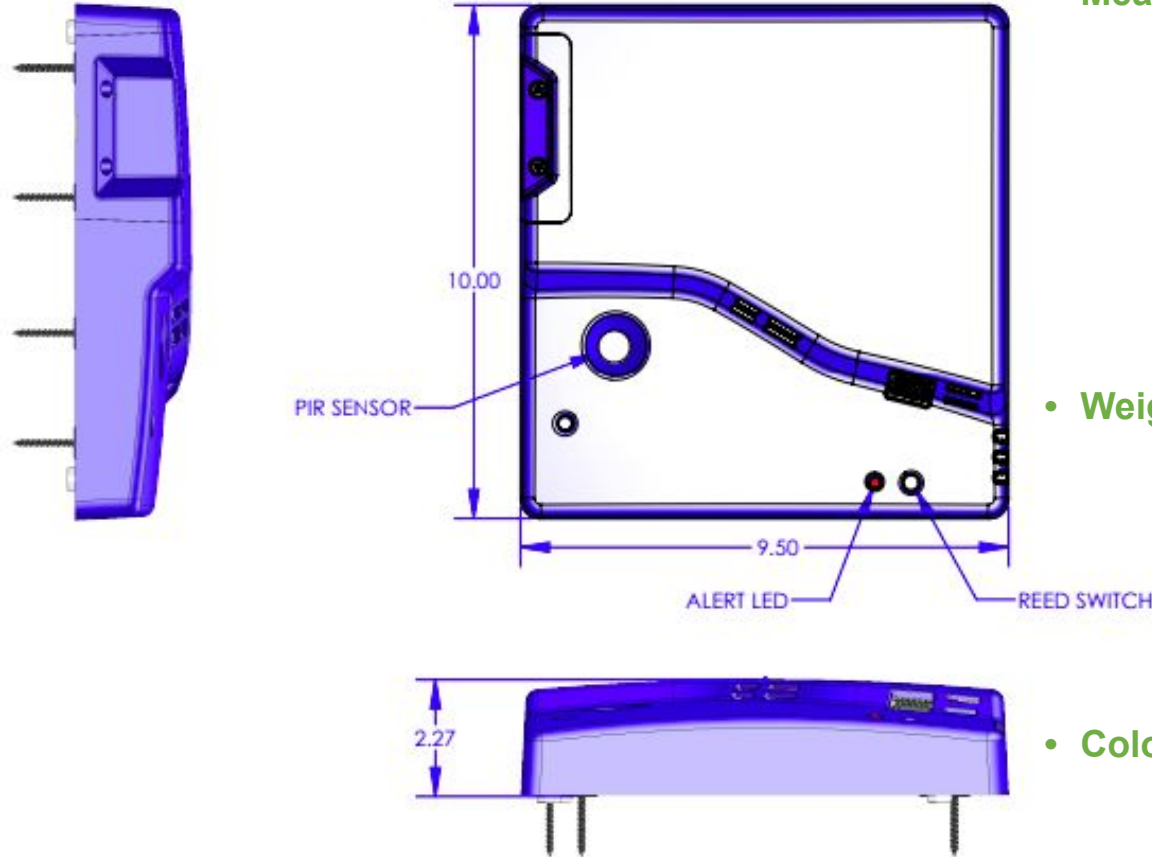
- Integrated tamper sensor
- Optional wire guard
- Tamper-proof screws

INSTALLATION

- DIY in minutes (no cables required)
- Attach to wall or ceiling
- Mounting hardware provided

Helping the World Sense to Safety™

Dimensions & Weight:



- **Measurements:**

- Length: 10 in (25.4 cm)
- Width: 9.5 in (24.13 cm)
- Height: 2.27 in (13.4 cm)

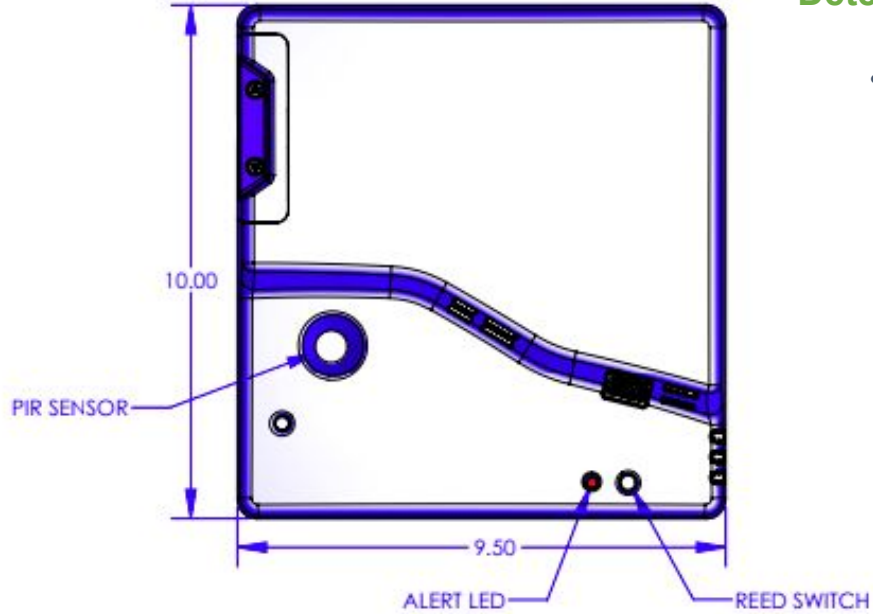
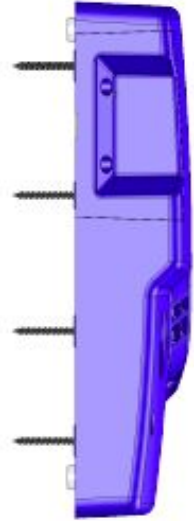
- **Weight:**

- Vape Detector with Battery: 2.6 lb (1179.0 g)
- Vape Detector Wired: 1.5 lb (680.4 g)
- Wire Cage: 0.7 lb (317.5 g)

- **Color:**

- Color: White (Blanc de blanc)

Sensors:



- **Detection Sensors:**

- Uses a variety of sensors with a proprietary set of algorithms that can be individually tuned to provide users customized detection settings

Power Options:

- **Battery:**

- Lithium ion rechargeable batteries

- **Power over Ethernet (PoE):**

- Input voltage range 36V to 57V
- IEEE802.3af compliant
- 9 watt max output

- **Direct Power:**

- AC/DC adapter and USB cable for wall power

Connectivity:

- **Sensor Network:**

- 2.4 GHz only
(Does not work with a 5GHz network)

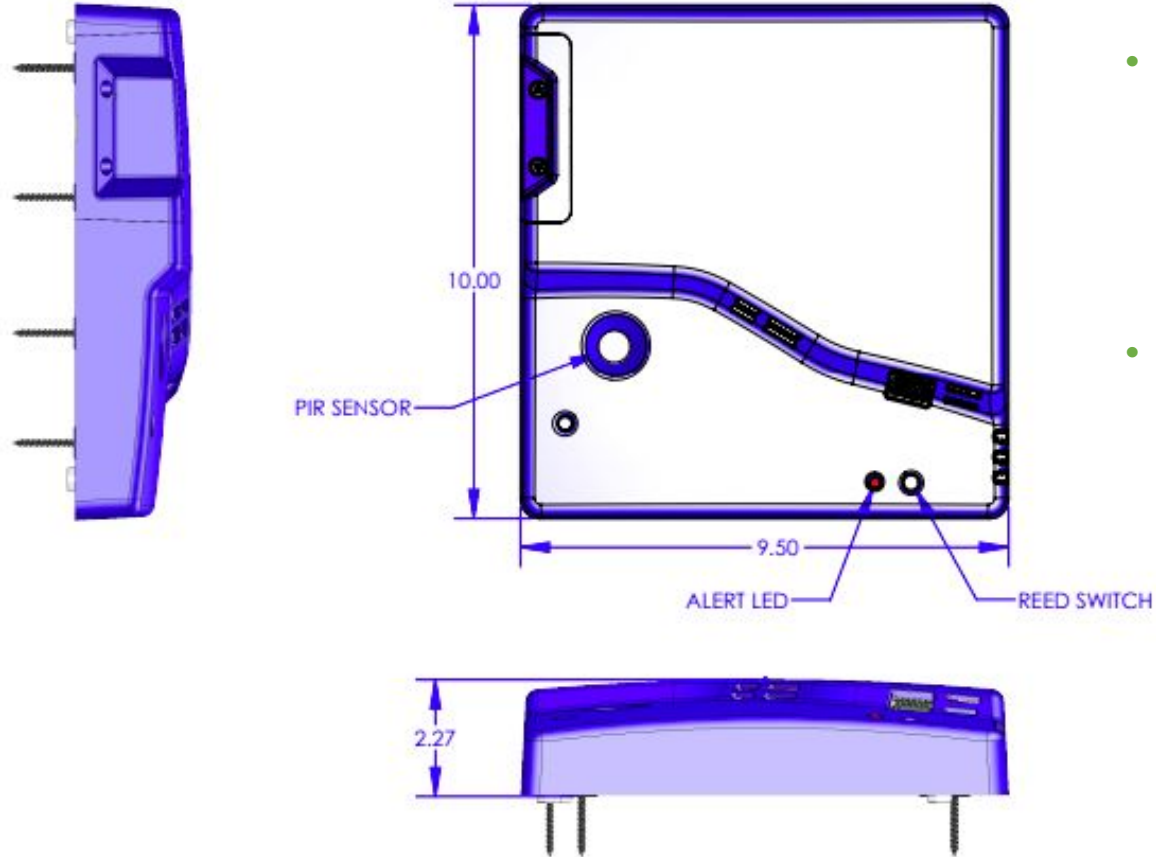
- **Wi-Fi Security and Encryption:**

- Requires: Open, WPA-PSK, WPA2-PSK
- Our systems cannot connect to a WPA2 Enterprise account, all others should be ok as long as certain ports are open

- **Ethernet:**

- Supports Hardwired TCP/IP Protocols : TCP, UDP, ICMP, IPv4, ARP, IGMP, PPPoE
- 10BaseT/100BaseTX Ethernet

Operating Temperature:



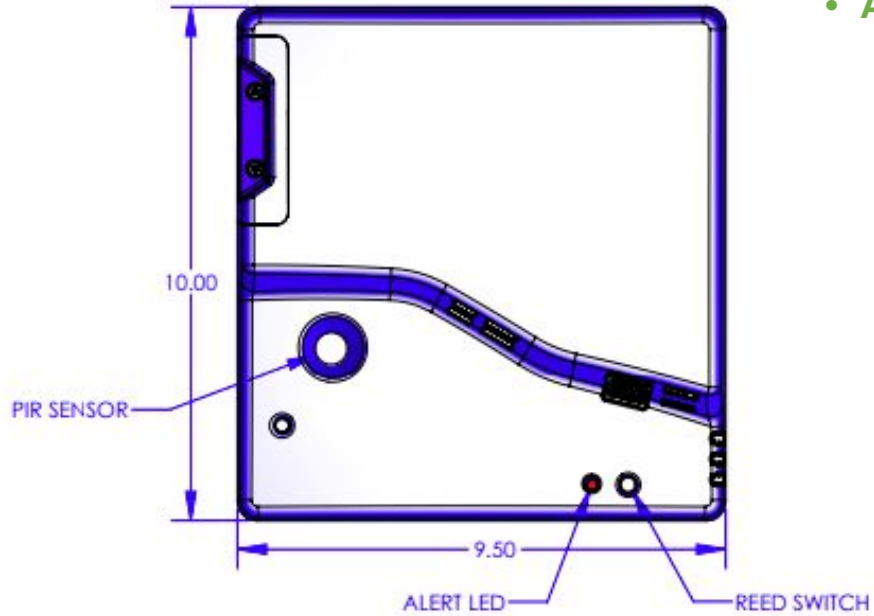
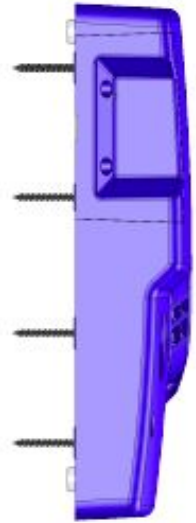
- **Operating Temperature Range:**

- 0°C to 40°C

- **Operating Humidity Range:**

- 15 - 95%

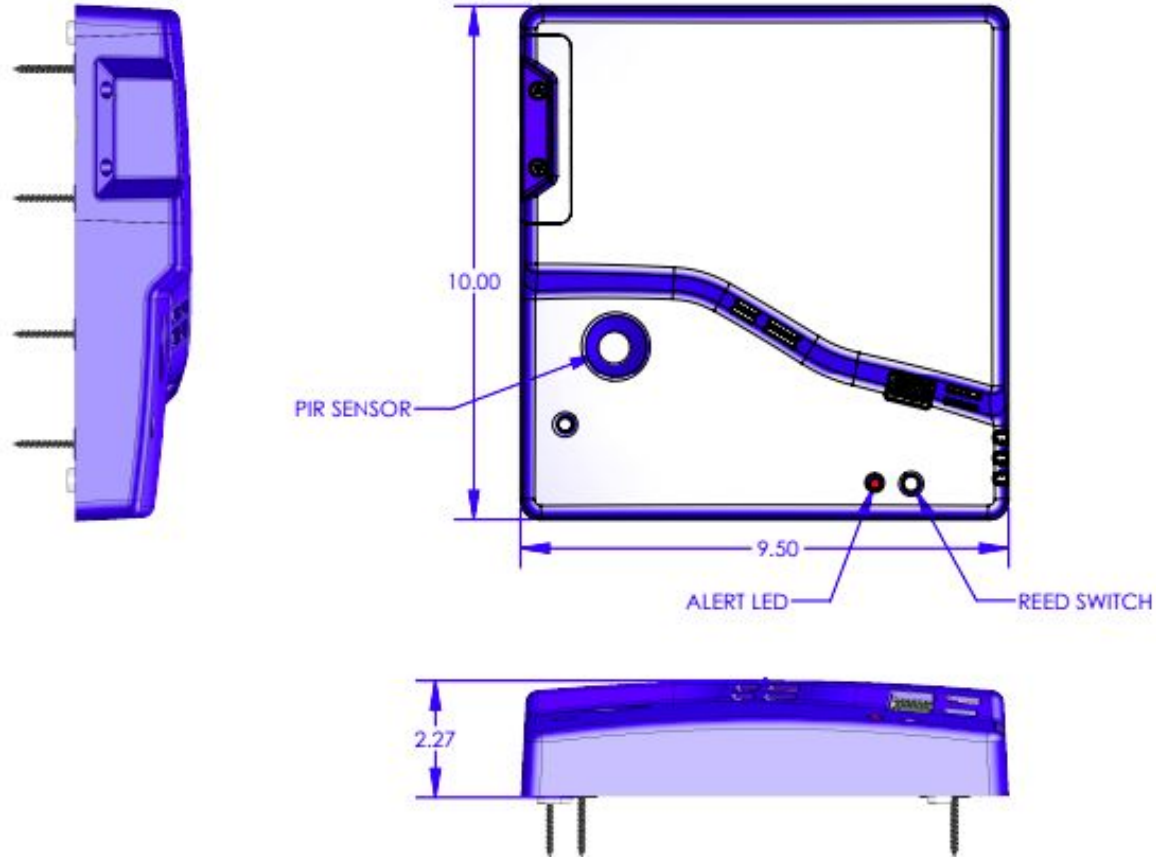
Audio:



- Alarm Audio:

- 80 dB

Certification & Warranty:



- **Certification:**

- Complies with safety standards set out by FCC and CE

- **Warranty Life:**

- One-year limited warranty

Rechargeable Li-ion Battery: (Wireless Detectors Only)

- **Measurements:**

- Length: 5.39 in (13.7 cm)
- Width: 3.11in (7.9 cm)
- Height: 1.54 in (3.9 cm)
- Weight: 1.1 lb (499.0 g)

- **Battery Performance:**

- Recharge rate (6-7 hours)
- Typically lasts 30-60 days



What's in the Box?:



- **Box Contents:**

- **Zeptive Vape Detector**
- **One mounting paper template**
- **Four mounting screws**
- **One locking screw**
- **One screwdriver**
- **One drill bit**
- **Five plastic screw anchors**
- **Two li-ion rechargeable batteries (battery model)**
- **AC/DC battery charger (battery model)**
- **Wire Cage (optional)**
- **Five Wire Cage mounting screws (optional)**
- **Five Wire Cage plastic screw anchors (optional)**