

PARTS LIST AND REFERENCE

REF	PART NO.	DESCRIPTION	QTY	REF	PART NO.	DESCRIPTION	QTY
1	1017014	Hopper Drilled #80 w/ decals	1	25	2M1232P-FT	Bolt, Hex Hd 3/8x2	4
2	1008169	Cover, 80# Hopper	1	26	30M1200P	Nut, Reg Hex, 3/8"-16	4
3	1007031	Motor	1	27	45M0909SS	Washer, plain, SS	6
4	1007030	Boot, Motor	1	28	B-4786	Nut, Nylon Lock 5/16-18	1
5	1000198	Felt Washer	1	29	B-4820	Nut, Nylon Lock, 3/8"-16	4
6	1000223	Agitator Wire	1	30	D-146P	Cotter, Hairpin 1/8",#211	1
7	1001554	Washer, Nylon	8	31	R-803	Grip, Vinyl 3/16"X 1-1/4"	1
8	1005091	Cotter Pin 1/8x1, SS	1	32	1016969	Plastic Pad	1
9	1005198	Nut, NylonLock 1/4-20, SS	15	33	1016970-10	Formed Plate, Pntd	1
10	1006699-10	Motor bracket, pnt.	1	34	1007889*	Nylon Cable (Zip) Tie	2
11	1006997	Fan, Drilled	1	35	2M0828SS	Bolt, HexHd 1/4x1-3/4 SS	4
12	1007005	Lock Washer, #10 SS	4	36	B-6031*	Wiring Harness, Batt Conn	1
13	1007042	Switch/Box assembly	1	37	B-6485	Cap, Plastic, 1"OD	4
14	1016971	Guard	1	38	1000356	Coupling, Spinner Shaft	1
15	1016815-10	Hopper Support Painted	1	39	1001251*	Set Screw 1/4 x 3/8" SS	2
16	1017013	Fomed Plate with decal	1	40	1001352	Washer, #10 SS	4
17	1016878	Control Rod	1	41	1007004	Nut, Hex 10-32 SS	4
18	1016879-10	Plate, Lever Painted	1	42	1007029	Shaft Extension	1
19	1016880-10	Formed, Handle Painted	1	43	1001260	Screw, 1/4 x 3/4, SS	4
20	1016881-10	Formed, Pivot Painted	1				
21	1016968	Pin, Hitch 1/2" X 2-3/4"	1				
22	11M1016P	Bolt, Carriage, 5/16 x 1	1				
23	2M0812P	Bolt, Hex Hd 1/4 x 3/4	4				
24	2M0816P	Bolt, Hex Hd 1/4 x 1	3				

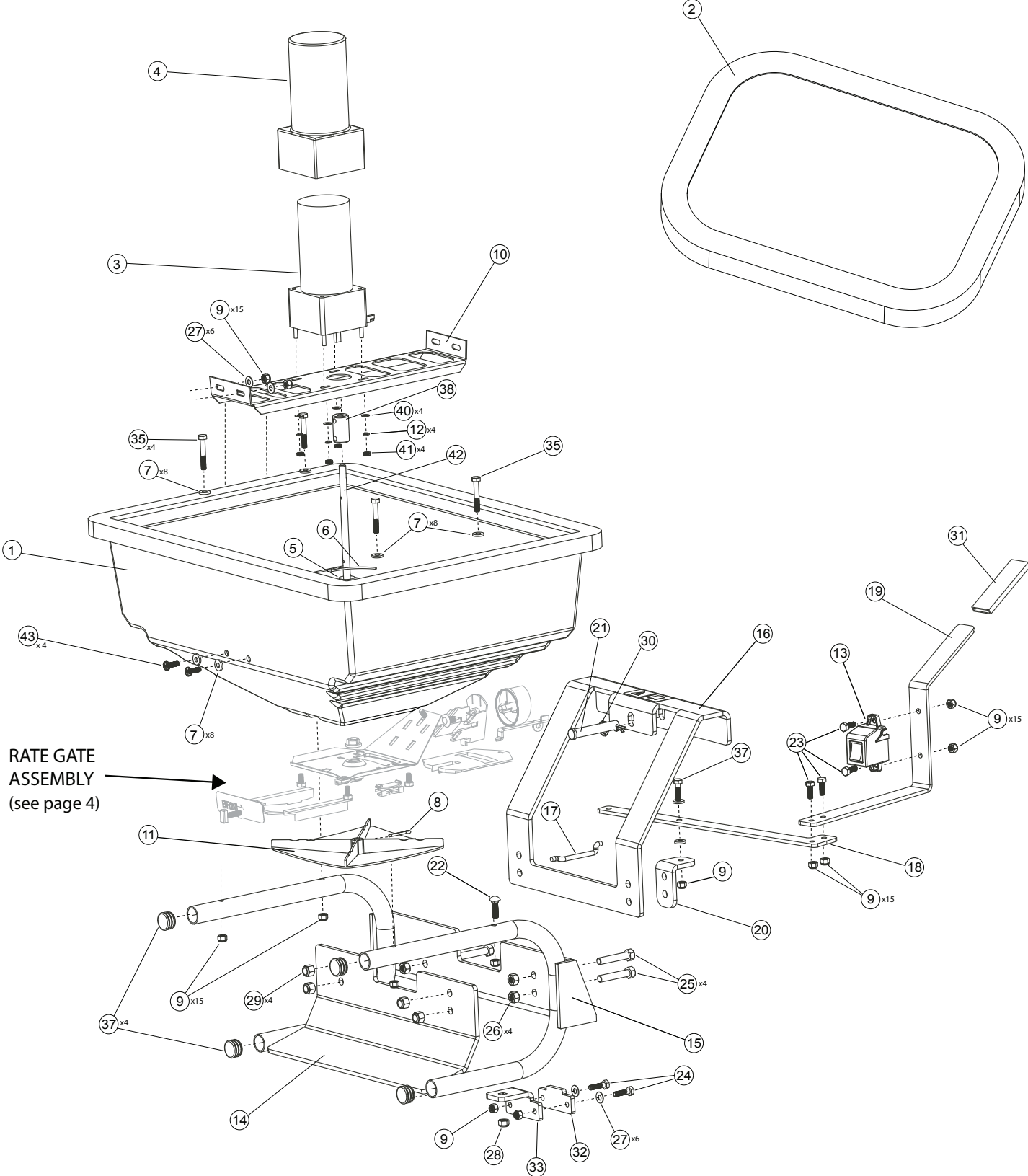
*Not shown.

Tools Required for Assembly:

- 7/16" wrench
- 7/16" socket & ratchet
- 9/16" wrench
- 9/16" socket & ratchet
- 1/2" socket & ratchet
- Pliers
- Gloves

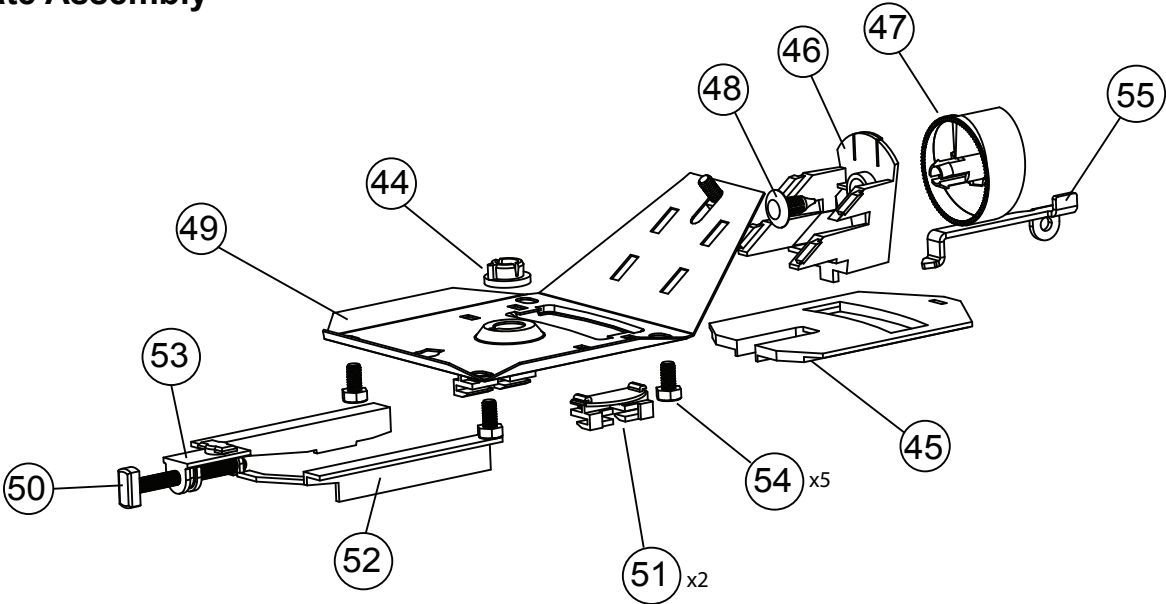
PARTS LIST AND REFERENCE

EXPLODED VIEW



PARTS LIST AND REFERENCE

Rate Gate Assembly



REF	PART NO.	DESCRIPTION	QTY	REF	PART NO.	DESCRIPTION	QTY
44	1000203	Hopper Bottom Bearing	1	52	1001523	Accuway Diffuser	1
45	1000210	Rate Gate	1	53	1001525	Accuway Adj. Nut Bracket	1
46	1000211	Dial Mount	1	54	1004880	Bolt, HexHd 1/4x1/2 SS	5
47	1000213	Dial, Plastic	1	55	1008431-01	Rate Gate Link, Polished	1
48	1000215	Pine Tree Clip	1				
49	1001007	Hopper Bottom Plate	1				
50	1001526	Screw, 1/4 x 3/4, SS, Accuway Adj. Screw	1				
51	1001521	Guide, Rate Gate/Accuway	2				