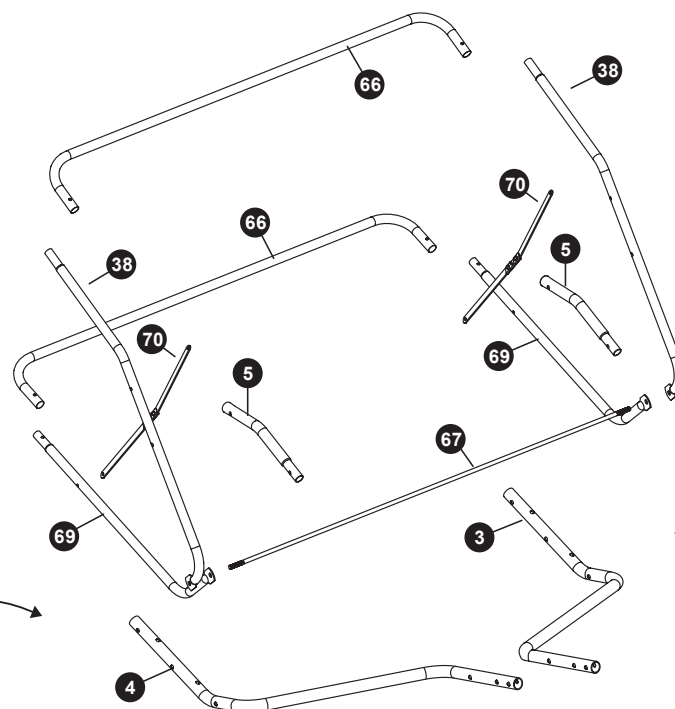


PARTS

REF	PART NO.	DESCRIPTION	QTY
1	1008953-06	Lock Arm	1
2	1008958-06	Height Adjustment Handle	1
13	2M1012P	5/16" x 3/4" Hex Bolt	4
19	45M1111P	5/16" Washer	2
20	B-1673P	1/4" Lock Nut	6
25	B-4786	5/16" Nylon Lock Nut	4
35	1008997SER	Pull Handle	1
36	1009049	Adhesive Hook and Loop	1
37	1009639	Rope, Pull, Hamper	1
40	R-2426	Hamper	1
41	1009046	Adjustment Label	1
42	1008955	Dust Cover	2
43	1008957-06	Lower Pivot	1
44	1018931-01	Wheel Axle	2
45	1008986-06SER	Brush Housing	1
46	1008987	Wheel	2
47	1008992-06	Hamper Stop	1
48	11M0808P	1/4" x 1/2" Carriage Bolt	6
49	50M0624P	3/16" x 1-1/2" Cotter Pin	4
50	B-4768	5/8" Machine Bushing	4
51	1019087	Brinly Decal	1
52	B-7063	Caution Label	1
53	F-577	5/8" E Ring	2
54	1019245	Label, Serial No	1
55	R-2205	Brush Section	6
56	1019216-01	Brush Axle	1
57	R-2261	1/4" x 3/4" Dowel Pin	2
58	R-2262	5/8" Large Flat Washer	2
59	R-2263	5/8" Flat Washer	2
60	R-2281	Brush Holder	4
61	R-2289SER	Bearing Retainer	2
62	R-2320	5/8" External Retaining Ring	2
63	1008098	Pin, Cotter Small	4
64	1019233LH	LH Drive Pinion	1
65	1019233RH	RH Drive Pinion (Not Shown)	1
68	R-2251-06	Hitch Clevis	1
70	1009044	Spreader Brace	2

1019129	SkinPack; Hardware	1	
6	1008965	5/16" x 1" Spacer	2
7	1009047	Vinyl Bolt Cap	2
8	1009058	Vinyl Grip	1
9	11M1020P	5/16" x 1-1/4" Carriage Bolt	1
10	11M1024P	5/16" x 1-1/2" Carriage Bolt	6
11	20M0820P	1/4" x 1-1/4" Screw	4
12	23037103	Plug	4
13	2M1012P	5/16" x 3/4" Hex Bolt	1
14	2M1044P	5/16" x 2-3/4" Hex Bolt	3
15	2M1056P	5/16" x 3-1/2" Hex Bolt	2
16	30M1000P	5/16" Hex Nut	2
17	30M1200P	3/8" Hex Nut	2
18	40M1000P	5/16" Lock Washer	2
19	45M1111P	5/16" Washer	12
20	B-1673P	1/4" Lock Nut	4
21	B-1674P	5/16" Lock Nut	1
22	B-1675P	3/8" Lock Nut	2
23	B-3861	1/2" X 2-1/2" Hitch Pin	1
24	B-4107	1" Vinyl Cap	2
25	B-4786	5/16" Nylon Lock Nut	12
26	1009205	Grip	1
27	B-4868	5/16" x 2-1/2" Hex Bolt	2
28	B-5650	5/16" Star Lock Washer	1
29	B-983	0.08" Hairpin Cotter	2
30	1019151	1/8" Hairpin Cotter	1
31	F-782	5/16" Knob	1
32	R-1141-01	Frame Spacer	1
33	R-2303	5/16" X 1-3/8" Clevis Pin	2
34	R-618	Large Washer	3

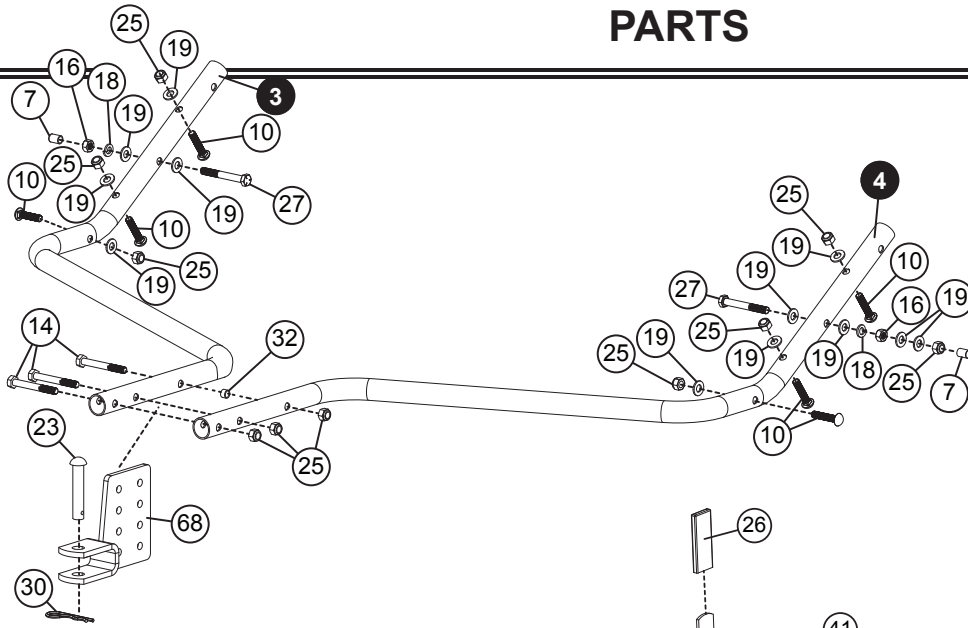


TUBES:

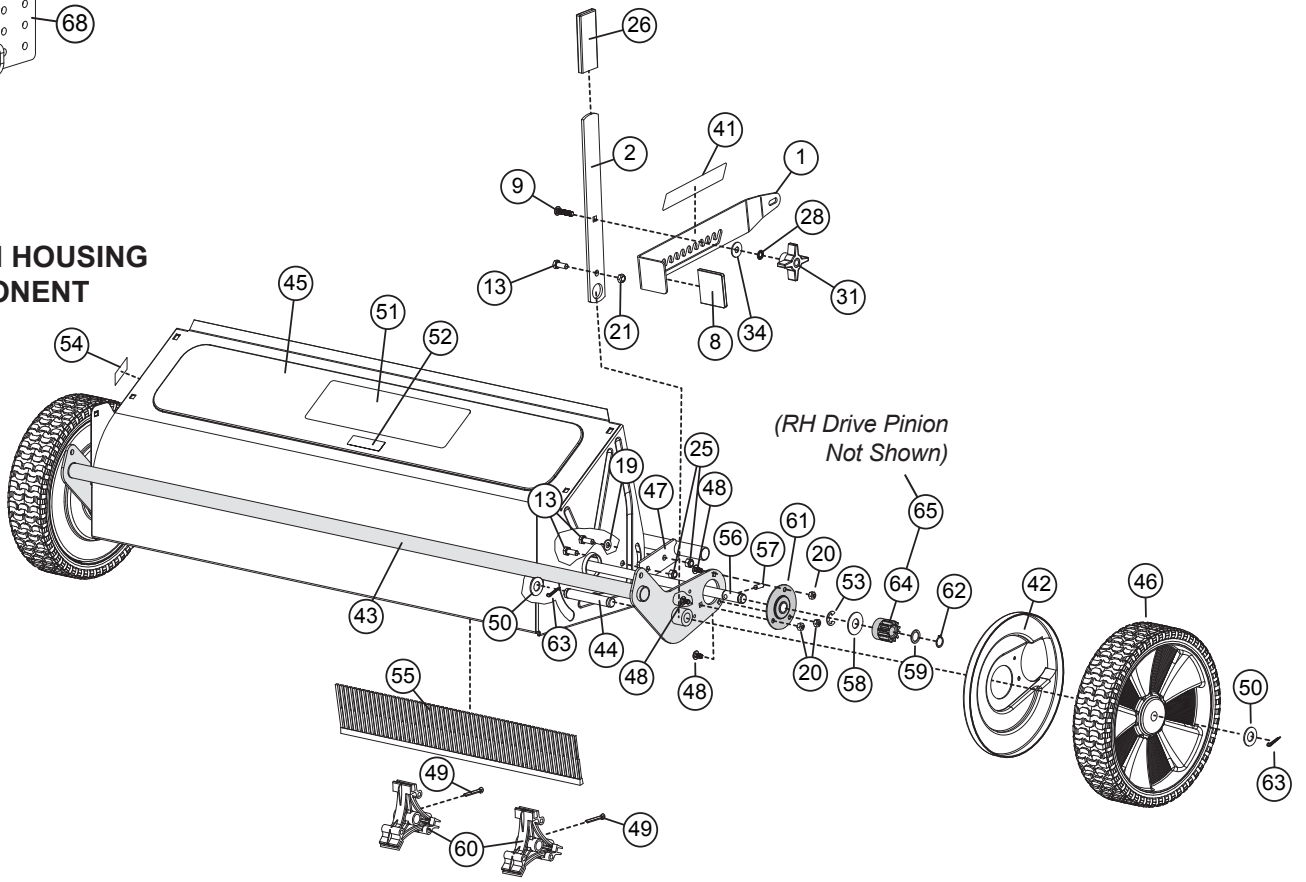
3	1008960-06	Tow Tube, Right	1
4	1008961-06	Tow Tube, Left	1
5	1008962-06	Hamper Mount	2
38	1009042-06	Upper Side Tube	2
66	R-2194-06	Rear Hamper Tube	2
67	R-2195	Hamper Stop Rod	1
69	R-2443-06	Lower Side Tube	2

PARTS

**TOW TUBE
COMPONENT
VIEW**



**BRUSH HOUSING
COMPONENT
VIEW:**



**HAMPER FRAME AND
HAMPER COMPONENT VIEW**

