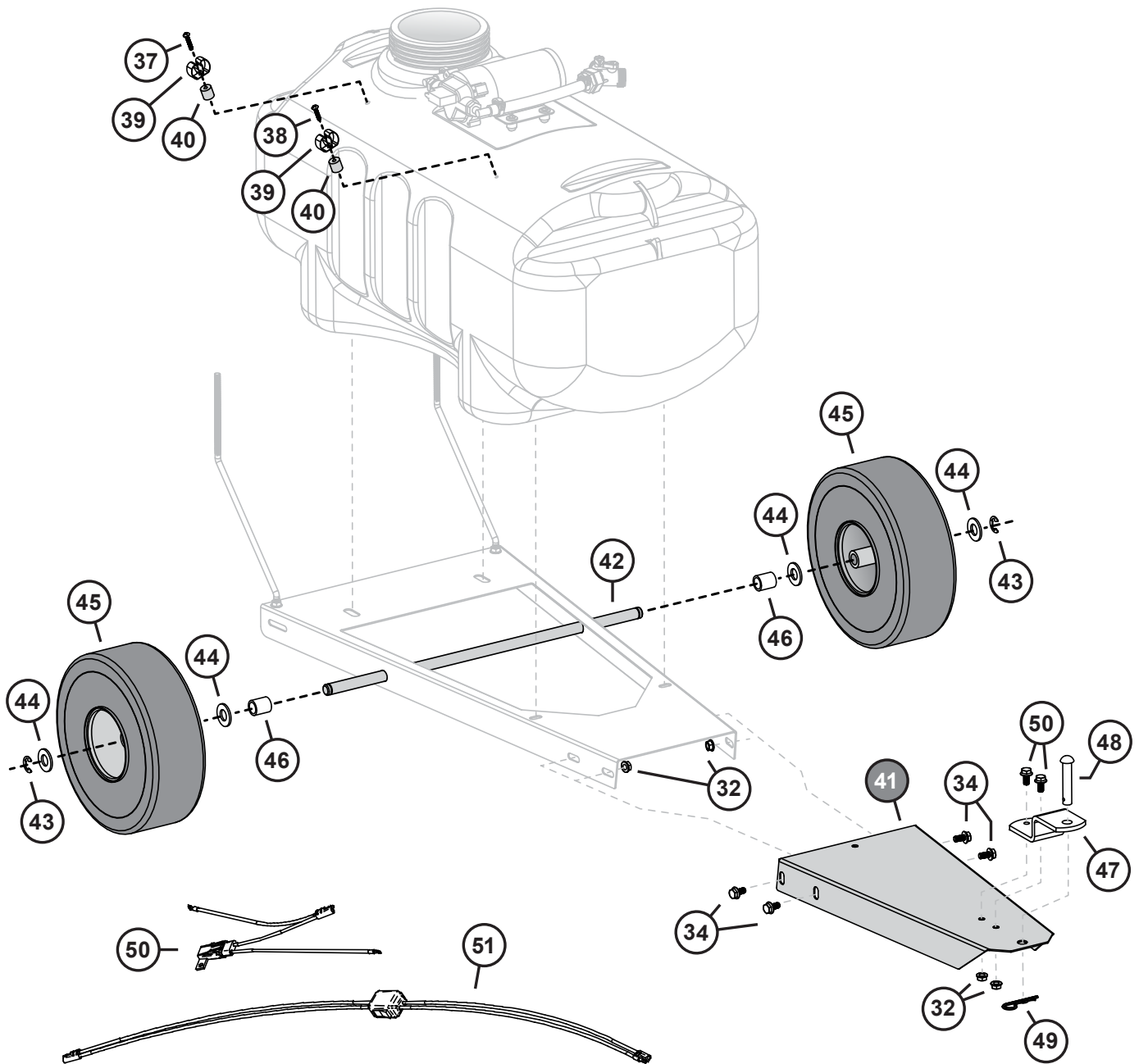


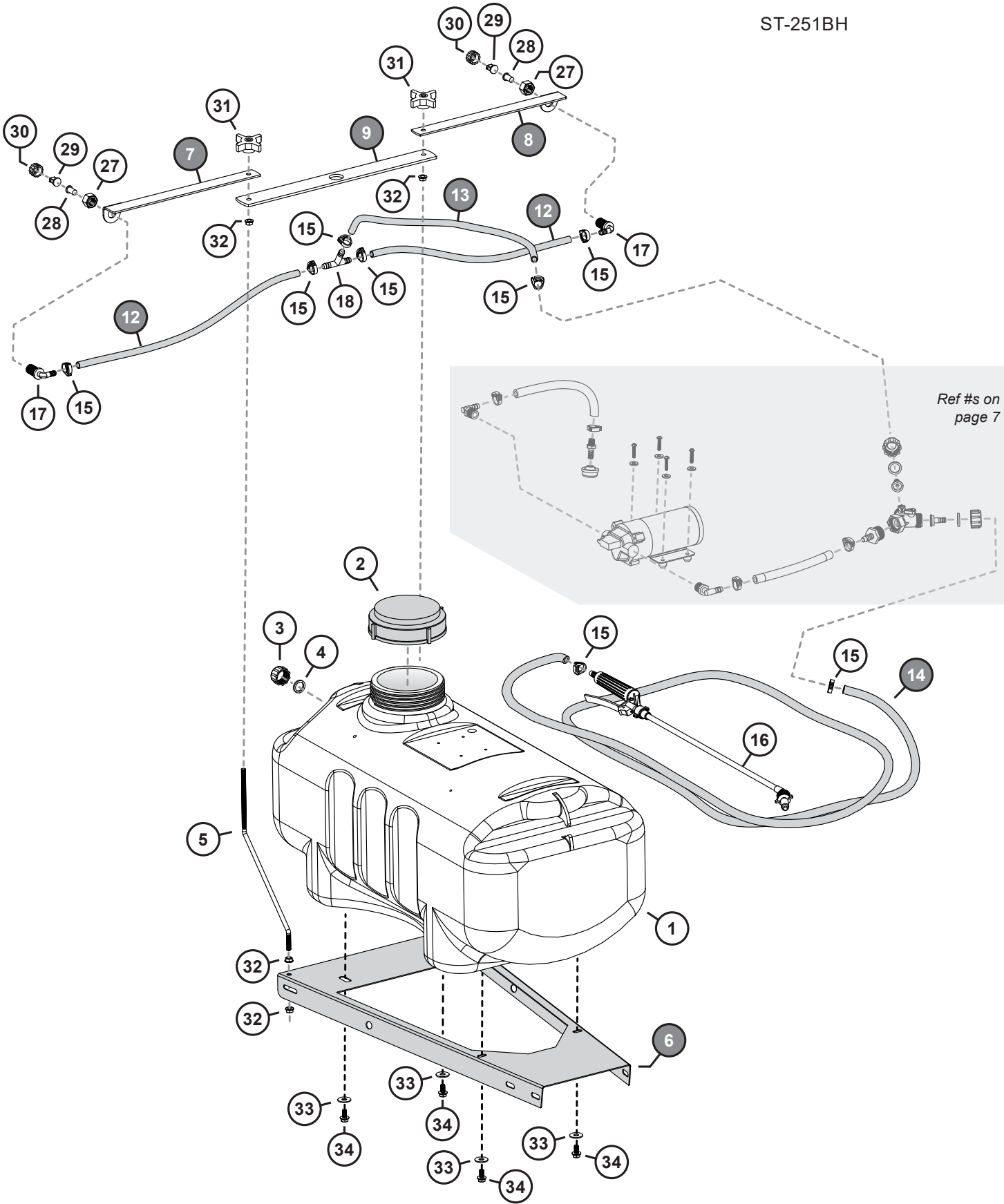
PARTS



Ref #	Part #	Description	Qty	Ref #	Part #	Description	Qty
41	B-6322F-10	Towbar; Front, Painted	1	52	1008563	Decal, BH Logo	1
42	B-5684-01	Axle; Plated	1	53	B-6020	Decal, Caution	1
45	B-5692	Wheel Asm; Pneu	2	54	L-1744	Label, Serial No	1
47	B-3034-10	Clevis, Blk.	1	55	L-1823-1	Label, Inspected by	2
50	1018962	Wire Harness Batt Conn	1	56	R-1946	Decal, Instruction w/ CE	1
51	1018961	Wiring Harness w switch	1				

PARTS

ST-251BH

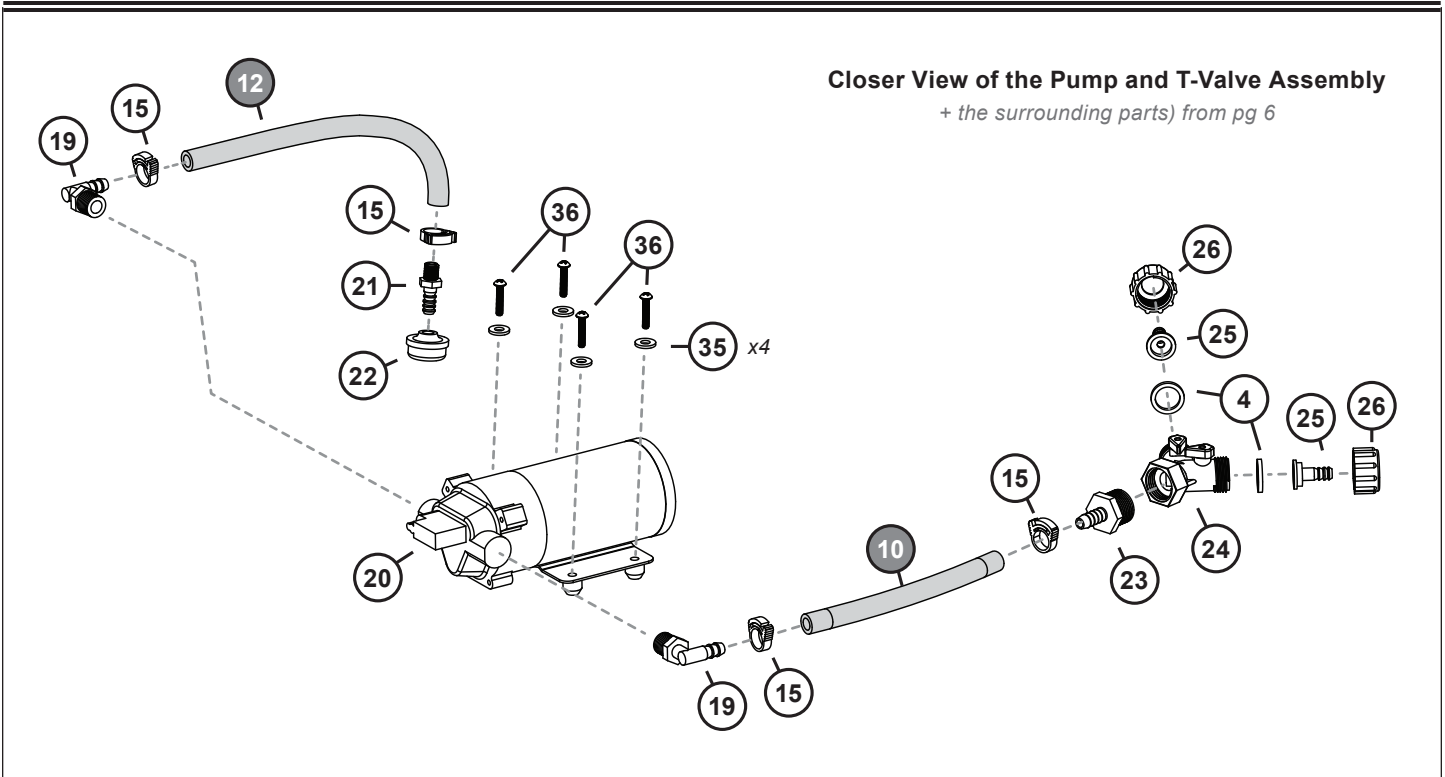


Ref #s on page 7

PARTS

Closer View of the Pump and T-Valve Assembly

+ the surrounding parts) from pg 6



ST-251BH

Ref #	Part #	Description	Qty	Ref #	Part #	Description	Qty
1	B-6025	Tank; Sprayer, 25Gal	1	21	B-6598	Adaptor, 1/8 MPT x 3/8" H.B.	1
2	B-6028	Cap; Tank	1	23	1016549	Male Fitting	1
3	B-6578	Cap; Drain, 3/4"	1	24	B-6512	Tee, Dual Valve	1
4	B-6054	Washer; Black Vinyl 1" OD x 3/4" ID	3	33	R-618	Washer, Special	4
5	S-1142	Boom, support	2	34	B-5695	Bolt, Hex Fl.Hd, 5/16	4
6	B-6322R-10	Base; Rear, Painted	1	35	45M0909P	Washer; SAE Flat, 1/4"	4
7	B-7761L-10	Bar; Boom, Painted	1	36	22M0616P	Screw; Round Head, #10	4
8	B-7761R-10	Bar; Boom, Painted	1				
9	S-1141-10	Boom Center, Painted	1				
10	1016888	Hose, 3/8" x 8"	1				
12	B-6035	Hose, 3/8" x 22"	3				
13	B-6034	Hose, 3/8" x 38"	1				
14	B-6033	Hose, 3/8" x 12'	1				
15	B-6047	Clamp, Hose	4				
16	B-6400	Hand Wand	1				
19	B-6046	Elbow	1				
20	B-6027	Pump; 2.0 GPM, CE Rated	1				

Continue to page 8 for contents of the hardware bags.

Installation Questions? Missing Parts?
Replacement Parts? **DON'T GO BACK TO THE STORE!**

Please call our Customer Service Department, Toll Free: 877-728-8224 or email: customerservice@brinly.com



PARTS

ST-251BH

Z-1705 Hardware Bag "A"			
31	F-782	Knob, 4 Prong, Black	2
32	B-4355	Nut, Whiz Lock, 5/16" -18	12
34	B-5695	Bolt, Hex Fl. Hd, 5/16	6
37	22M0616P	Screw, Round Head, #10	1
38	1019182	Screw #10 x 1 Self Tap	1
39	B-6511	Clip, wand holder	2
40	1019177	Nylon spacer, #10 x 5/8 lg	2
43	F-577	E Ring, 5/8"	2
44	45M2121P	Washer, Flat 5/8	4
46	B-5691	Spacer, Axle	2
48	B-3861	Pin, Hitch 1/2" x 2-1/2"	1
49	D-146P	Cotter, Hairpin 1/8",#211	1

Z-1987 Hardware Bag "B"			
3	B-6054	Washer, Vinyl, 3/4"	2
15	B-6047	Clamp, Hose	8
17	B-6043	Nozzle Body, 90 Deg	2
18	B-6045	Hose Barb; Tee, 3/8" x 3/8"	1
22	B-6597	Strainer; 1/4" NPT	1
25	B-6055	Hose Barb	2
26	B-6056	Nut, Hose Swivel	2

Z-1704-CC2 Tip Bag; (2) 90 Deg.			
27	B-6041	Nut; Jam, Plastic	2
28	B-6040	Strainer; Nozzle	2
29	S-1148	Tip; 90 deg	2
30	B-6042	Nut; TipFitting	2

NOTES
