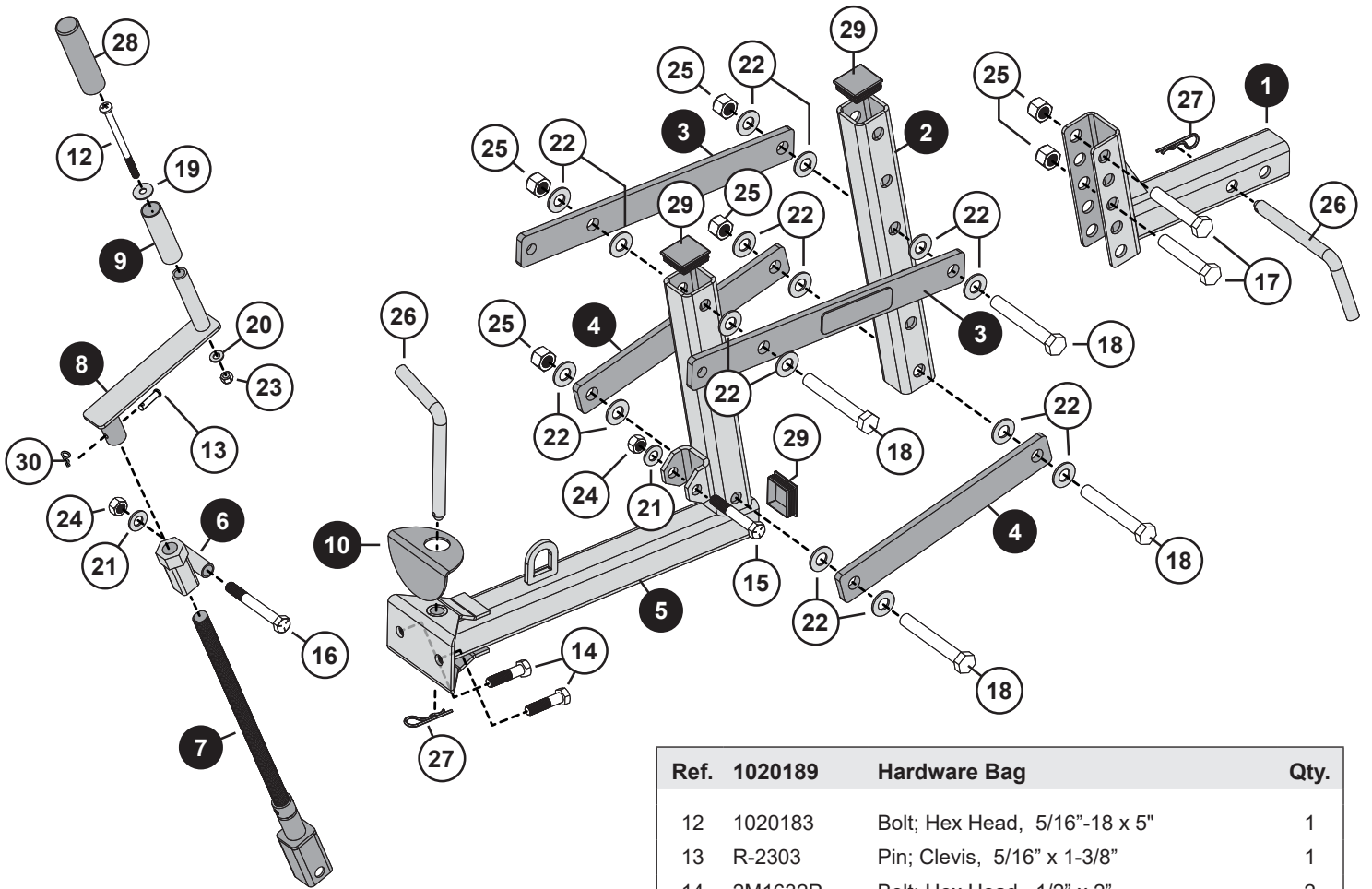


# PART EXPLOSION



Ref.	Part No.	Description	Qty.
1	1020159-10	Hitch Weldment, Front	1
2	1020158-10	Height Adjustment Column	1
3	1020165-10	Pivot Arm, Upper	2
4	1020166-10	Pivot Arm, Lower	2
5	1020160-10	Hitch Weldment, Rear	1
6	1020169-10	Height Adjustment Brace	1
7	1020175	Height Adjustment Rod	1
8	1020178-10	Handle Weldment	1
9	1020181-10	Handle Inner Tube	1
10	H-158-10	Plate, Stabilizer	1

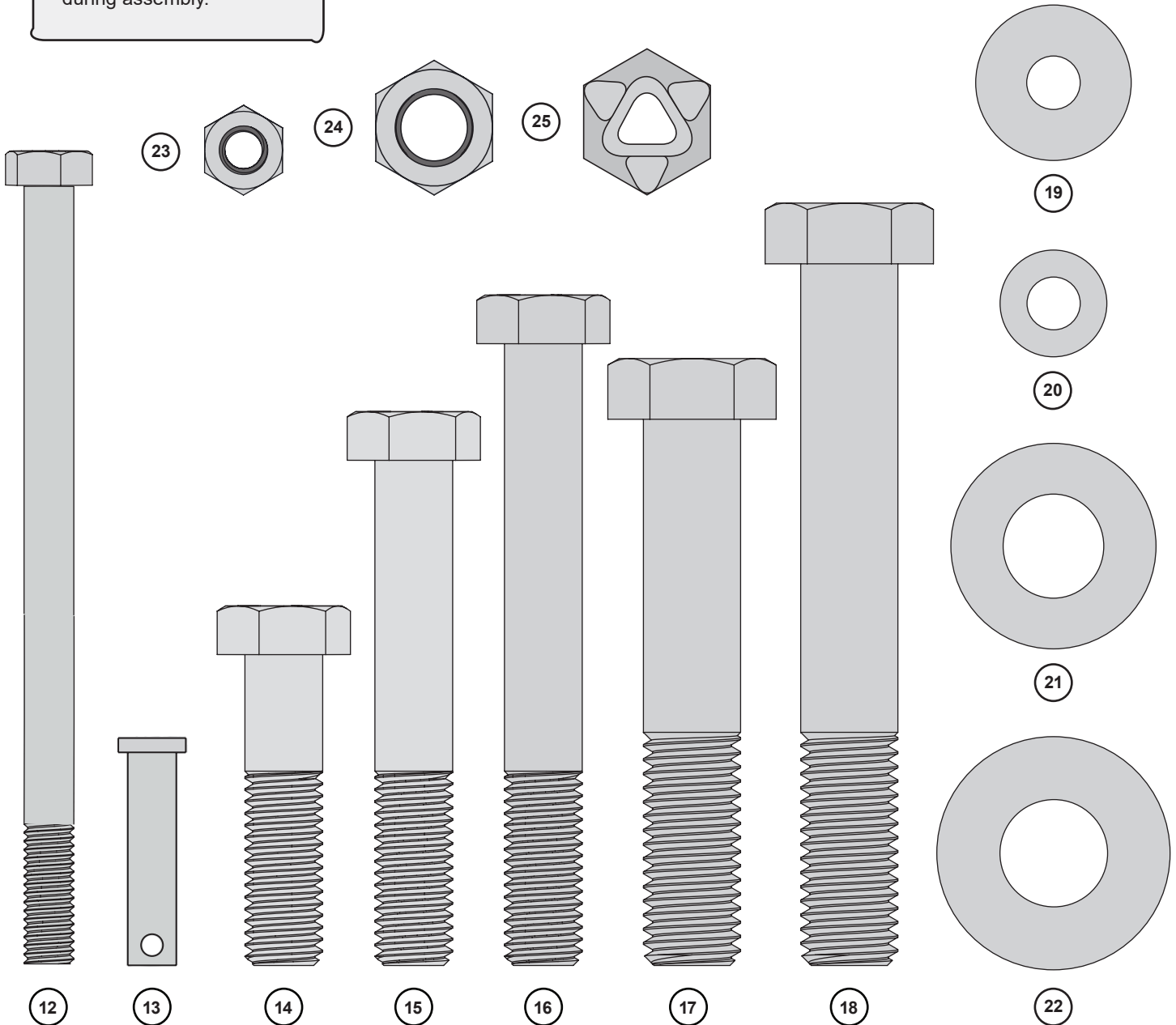
Ref.	1020189	Hardware Bag	Qty.
12	1020183	Bolt; Hex Head, 5/16"-18 x 5"	1
13	R-2303	Pin; Clevis, 5/16" x 1-3/8"	1
14	2M1632P	Bolt; Hex Head, 1/2" x 2"	2
15	1020323	Bolt; Hex Head, 1/2"-13 x 3-1/4"	1
16	2M1664P	Bolt; Hex Head, 1/2" x 4"	1
17	2M2056P	Bolt; Hex Head, 5/8"-11 x 3-1/2"	2
18	2M2072P	Bolt; Hex Head, 5/8" x 4-1/2"	4
19	1020330	Washer; Flat, Oversized 5/16" ID x 1" OD	1
20	45M1111P	Washer; Flat, 5/16"	1
21	45M1717P	Washer; Flat, 1/2"	2
22	45M2121P	Washer; Flat, 5/8"	16
23	B-4786	Nut; Nylon Lock, 5/16"-18	1
24	B-5096Y	Nut; Nylon Lock, 1/2"-13	2
25	B-1678P	Nut; Lock, 5/8"-11	6
26	1007748-01	Pin, Hitch-Plated	2
27	D-146P	Cotter Hairpin, 1/8" #211	2
28	1020226	Handle Grip; Red	1
29	1020286	Plug; Plastic Square, 2"	3
30	B-983	Cotter Hairpin, Small	1

# HARDWARE IDENTIFIER

Illustrations on this page are to scale for faster identification of hardware during assembly.

**DO NOT RETURN PRODUCT IF YOU ARE MISSING PARTS.**

Please Call: 1 (877) 728-8224



Ref.	Part No.	Description	Qty.
12	1020183	Bolt; Hex Head, 5/16"-18 x 5"	1
13	R-2303	Pin; Cotter, 5/16" x 1-3/8"	1
14	2M1632P	Bolt; Hex Head, 1/2" x 2"	2
15	1020323	Bolt; Hex Head, 1/2"-13 x 3-1/4"	1
16	2M1664P	Bolt; Hex Head, 1/2" x 4"	1
17	2M2056P	Bolt; Hex Head, 5/8"-11 x 3-1/2"	2
18	2M2072P	Bolt; Hex Head, 5/8" x 4-1/2"	4

Ref.	Part No.	Description	Qty.
19	1020330	Washer; Flat, 5/16" ID x 1" OD	1
20	45M1111P	Washer; Flat, 5/16"	1
21	45M1717P	Washer; Flat, 1/2"	2
22	45M1212P	Washer; Flat, 5/8"	16
23	B-4786	Nut; Nylon Lock, 5/16"-18	1
24	B-5096Y	Nut; Nylon Lock, 1/2"-13	2
25	B-1678P	Nut; Hex Locking, 5/8"-11	6