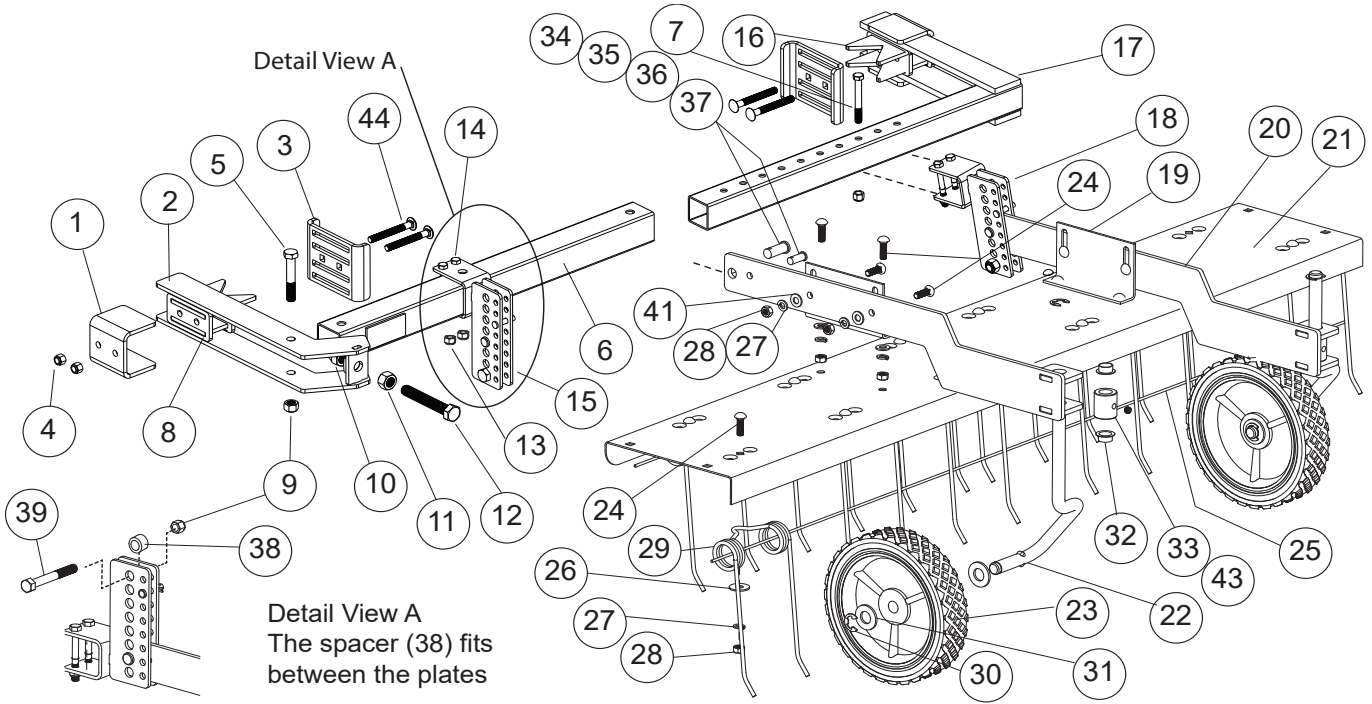


COMPONENT VIEW AND REFERENCE LIST



REF	PART NO.	DESCRIPTION	QTY	REF	PART NO.	DESCRIPTION	QTY
1	1020505-10	Clamp Bracket	2	22	R-1933-01	Axle	2
2	1009749-10	Clamp Arm	1	23	1009765	Wheel	2
3	1020506-10	Clamp Plate	2	24	11M1016P	5/16" x 1" Carriage Bolt	20
4	B-4820	3/8" Nylon Lock Nut	5	25	R1504	Safety Wire	2
5	2M1656P	1/2" x 3-1/2" Hex Bolt	1	26	R-618	Special Washer	12
6	1009774	Tube With Decal	1	27	40M1000P	5/16" Lock Washer	20
7	2M1256P	3/8" x 3-1/2" Hex Bolt	1	28	30M1000P	5/16" Hex Nut	20
8	1020511-10	2" V Bracket	1	29	R-616	Tine	12
9	B-5096Y	1/2" Nylon Lock Nut	3	30	F-577	5/8" E-Ring	4
10	1009763	5/8" Acorn Nut	1	31	45M2121P	5/8" Washer	4
11	30M2000P	5/8" Hex Nut	1	32	R-719	Nylon Bearing	4
12	1009764	5/8" x 4" Hex Bolt	1	33	R-720-01	Wheel Hub	2
13	B-4786	5/16" Nylon Lock Nut	4	34	R-2303	Clevis Pin (5/16" x 1-3/8")	2
14	2M1044P	5/16" x 2-3/4" Hex Bolt	4	35	V-219P	Clevis Pin (1/2" x 1-1/4")	2
15	1009752-10	Pivot Bracket Long	1	36	B-983	Hairpin Cotter	2
16	1020510-10	1-3/4" V Bracket	1	37	D-146P	Hairpin Cotter	2
17	1009750-10	Fixed Arm	1	38	P-234	Spacer	2
18	1009751-10	Pivot Bracket Small	1	39	2M1632P	1/2" x 2" Hex Bolt	2
19	R-713-10	Frame Bracket	2	41	45M1111P	5/16" Washer	8
20	1009770-10	Front Mount	2	42	1009778	Rubber Edging (30")	1
21	1009773	Tray With Decal	1	43	V-336	5/16" Set Screw	2
				44	1020477	3/8" x 3-1/4" Carriage Bolt	4