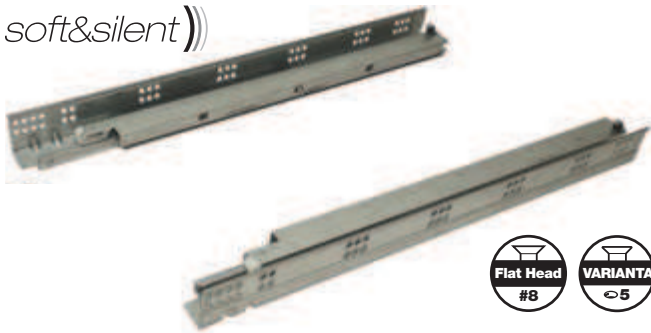


Full Extension

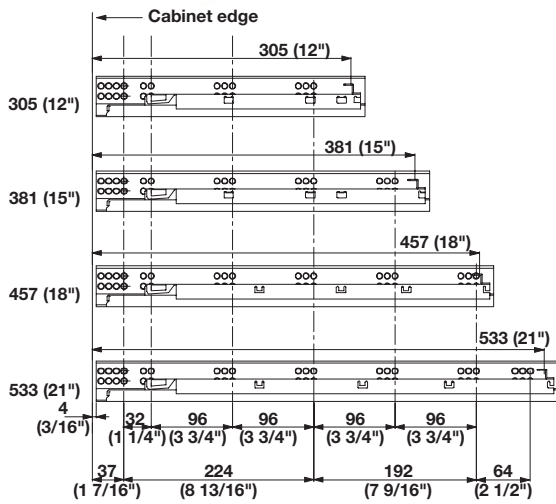
→ Side Mounted

soft&silent)))



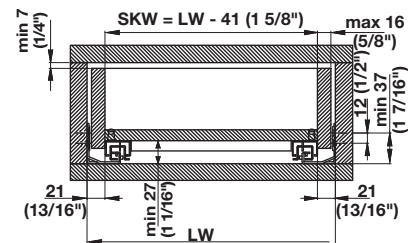
- > Weight capacity: 35 kg (75 lbs.)/pair
- > For drawer material: 13–16 mm (1/2"–5/8") or 19 mm (3/4")
- > Integrated soft close mechanism
- > Rear face frame mounting bracket available
- > BHMA grade 1 tested
- > Material: Steel, galvanized

Length	16 mm	19 mm
305 (12")	433.10.381	433.10.481
381 (15")	433.10.383	433.10.483
457 (18")	433.10.385	433.10.485
533 (21")	433.10.387	433.10.487

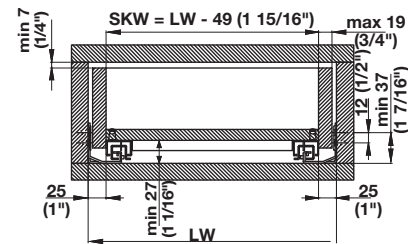


Formula for calculating drawer width

Installation for drawer with max 16 mm (5/8") thick drawer side
LW = Internal cabinet width SKW = Internal drawer width



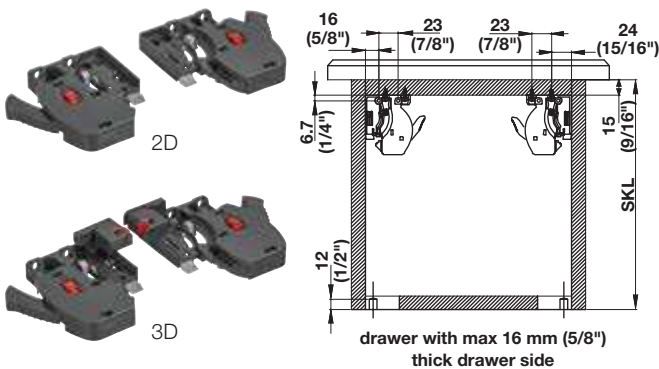
Installation for drawer with max 19 mm (3/4") thick drawer side
LW = Internal cabinet width SKW = Internal drawer width



8

Drawer Slides

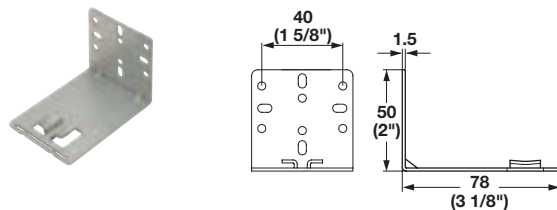
→ Front Locking Clips



- > Height adjustment: 0 - +3 mm (1/8")
- > Side adjustment: ±1.5 mm (1/16")
- > Depth adjustment: 0 - +3 mm (1/8")
- > Material: Plastic; Color: gray

Version	Item No.
2D	433.10.026
3D	433.10.027

→ Face Frame Mounting Brackets



- > Material: Steel

Finish	Item No.
zinc-plated	421.38.010

Flat head screws	pages 12.7-12.8, 12.10, 12.13
Varianta screws	page 12.16

Dimensional data not binding. Dimensions in mm, inches are approximate. We reserve the right to alter specifications without notice.