

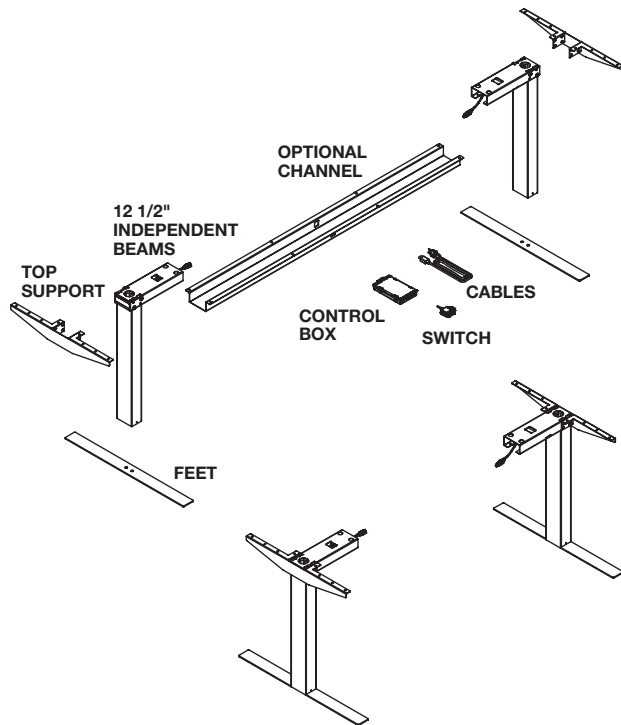
Electric Adjustable Table System – Clever

Häfele's Clever Table Base System is a flexible desk platform which offers optimal solutions for any requirement in the office. In addition to the easy and quick assembly, the price/performance ratio is one of the strengths of the Clever range.

- Meets BIFMA X5.5 standards
- UL 962 approved

- Ordering:**
1. Order Column set
 2. Choose Feet and Top Support set
 3. Choose Hand Switch
 4. Optional: Hat Channel/Cable Guide

6



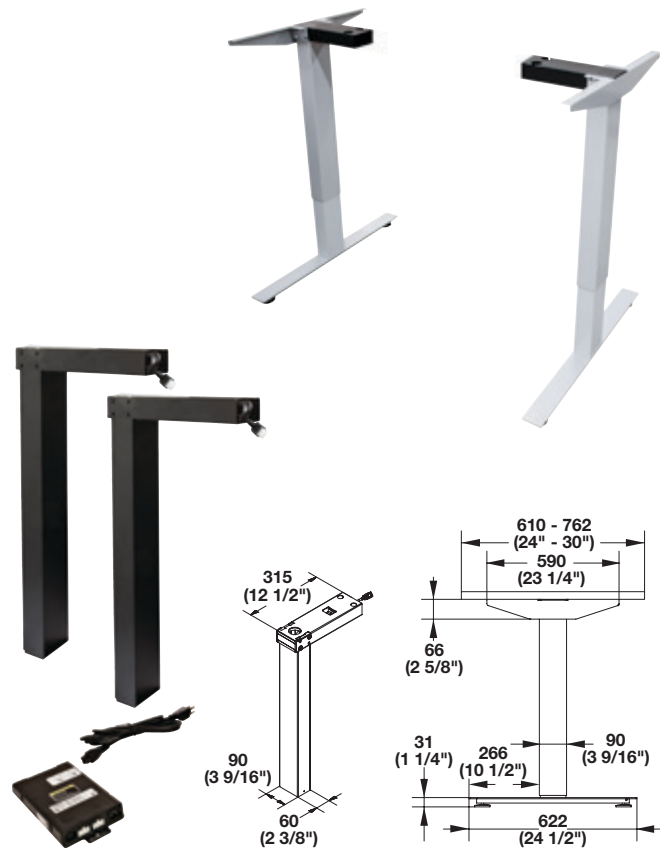
T-Foot and Top Support Sets

- For 24" and 30" deep tops

Material: Steel, epoxy-coated

Finish	Item No.
silver RAL 9006	630.46.212
black RAL 9011	630.46.312

- Supplied With**
- 2 Feet
 - 2 Top supports
 - 2 Levelers



Adjustable Column Set

Height range: 695 – 1175 mm (27 3/8" – 46 1/4")
 Stroke: 480 mm (18 7/8")
 Travel speed: 28 mm (1 1/4") per second
 Weight rating: 91 kg (200 lbs.) including work surface

Material: Steel, epoxy-coated

Finish	Item No.
silver RAL 9006	630.46.240
black RAL 9011	630.46.340

Supplied With

- 2 Adjustable columns with 12 1/2" beams
- Control Box, powering and assembly hardware

Note

Weight rating is based on:

- An evenly distributed load over table top.
- Table base constructed using specified components; columns, feet and top supports.
- Please provide at least 1" space between table top and any adjoining surfaces, cabinets, etc.

Fixed Column Set

- To be used as needed for additional tables that do not need to be adjustable
- Fixed height: 695 mm (27 3/8")

Material: Steel, epoxy-coated

Finish	Item No.
silver RAL 9006	630.46.250
black RAL 9011	630.46.350

Supplied With

- 2 Fixed columns
- Assembly hardware

Dimensions in mm
 Inches are approximate