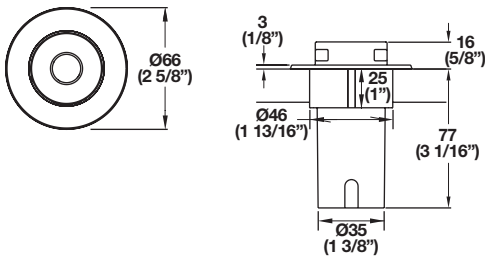


5



Requires a 47 mm hole in work surface for mounting

Pop-Up USB Charging Center

- Unique pop-up design for charging devices such as lap tops, tablets, phone, cameras, MP3 players, etc.
- With 2 USB charging ports 2.0A
- UL Listed
- Requires a Ø47 mm (1 7/8") hole for screw-mounting

Material: Plastic - Metal Surface Look

Color	Item No.
silver	822.64.033

Supplied With

- 2 m Lead with transformer
- 2 m Lead from unit
- Trim Ring



Charging Grommets

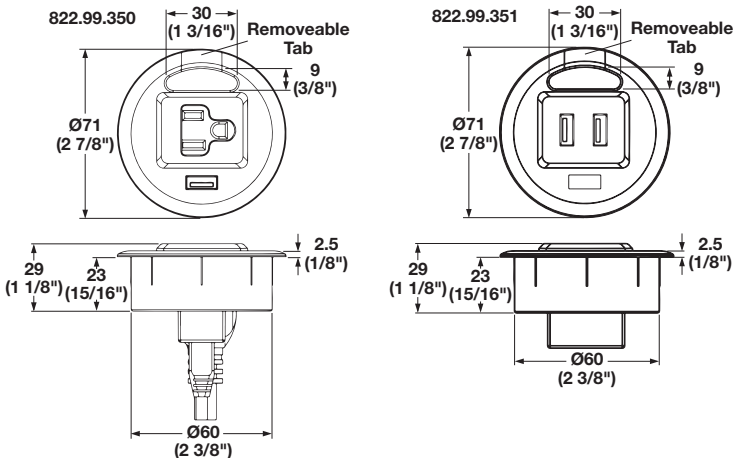
- Easily replace a standard Ø60 mm (2 3/8") desktop cable grommet
- With cable opening and removable tab to feed cables through
- Two options to accommodate your charging needs
- UL Listed

Material: Plastic; Color: black

Model	Item No.
1-120V socket and 1-USB charging port 2.0A	822.99.350
2-USB charging ports 2.0A	822.99.351

Supplied With

- Wall transformer
- 822.99.350 supplied with 10A X 1.5 m power cable and 1 m USB cable
- 822.99.351 supplied with 1 m USB cable



Dimensions in mm
Inches are approximate

Dimensional data not binding. We reserve the right to alter specifications without notice.