

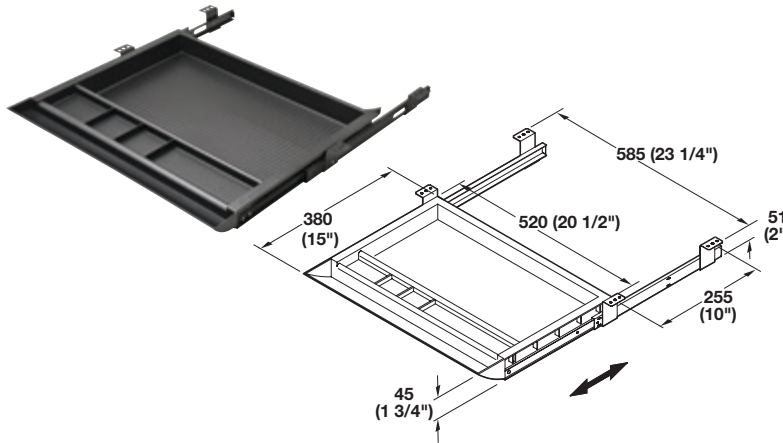
Pencil Drawer

- 3 compartments
- Ball bearing slides, with both hold-in and hold-out detents
- Completely assembled
- Minimum width required for installation: 387 mm (15 1/4")
- Installed depth: 387 mm (15 1/4")
- Extended depth: 660 mm (26")

Material: Tray: Plastic; Slides: Steel

Color	Item No.
black	429.59.340

Supplied With
Mounting hardware



Pencil Drawer

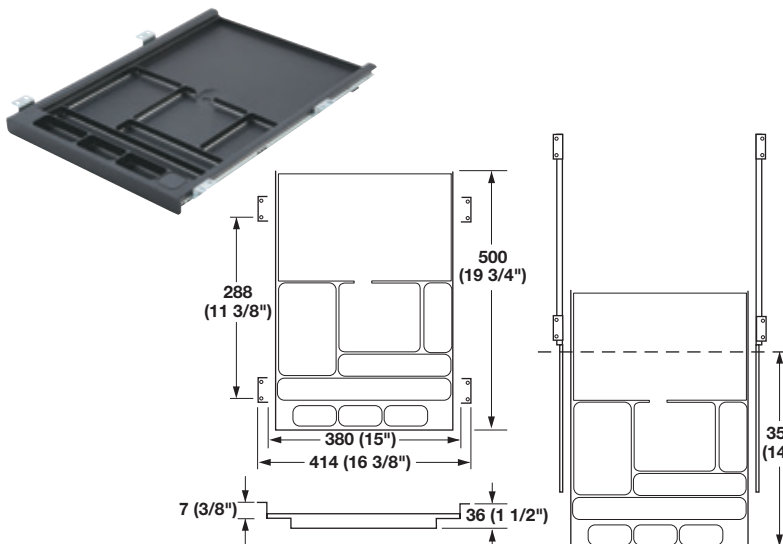
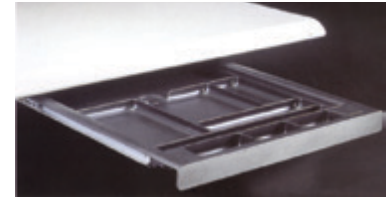
- 5 compartments
- With ball bearing slides
- Simple assembly required
- Minimum width required for installation: 591 mm (23 1/4")
- Installed depth: 463 mm (18 1/4")
- Extended depth: 737 mm (29")

Material: Tray: Plastic; Slides: Steel

Color	Item No.
black	429.59.350

Supplied With
Mounting hardware

5



Pencil Drawer

- 9 compartments
- With ball bearing slides

Material: Tray: Plastic, textured; Slides: Steel

Color	Item No.
black	429.57.300

Supplied With
Screws

Dimensional data not binding. We reserve the right to alter specifications without notice.

Dimensions in mm
Inches are approximate