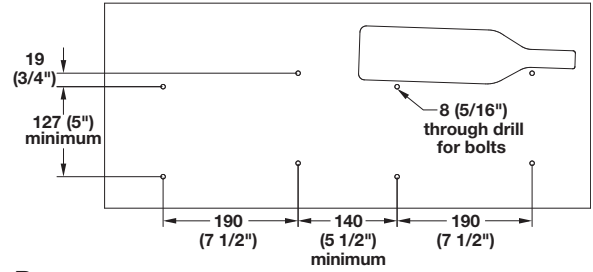




Wine Post



Wine Peg



Wine Post

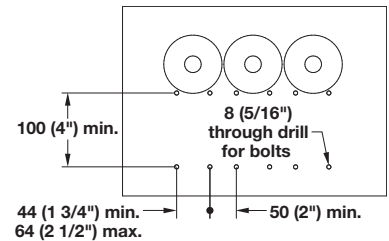
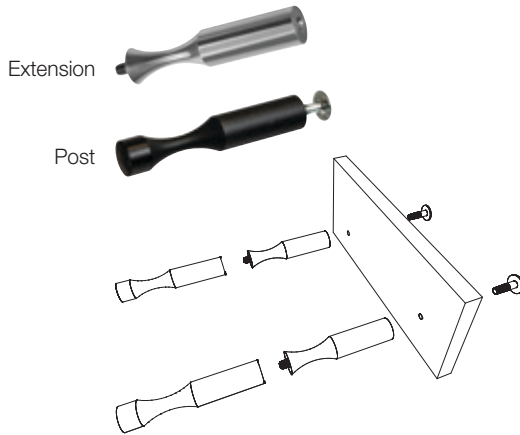
- Stores and displays wine bottles so the label can be viewed from the front
- Posts are threaded and can be expanded to store 1, 2 or 3 wine bottles
- Easily attaches to 19 mm (3/4") substrate from back
 Ø x Depth: 19 x 100 mm (3/4" x 4")

Material: Anodized Aluminum

Description	Finish	Item No.
Post	black	521.99.300
Extension	black	521.99.310
Post	silver	521.99.900
Extension	silver	521.99.910

Supplied With

1/4-20 screws for 19 mm (3/4") substrate



Wine Peg

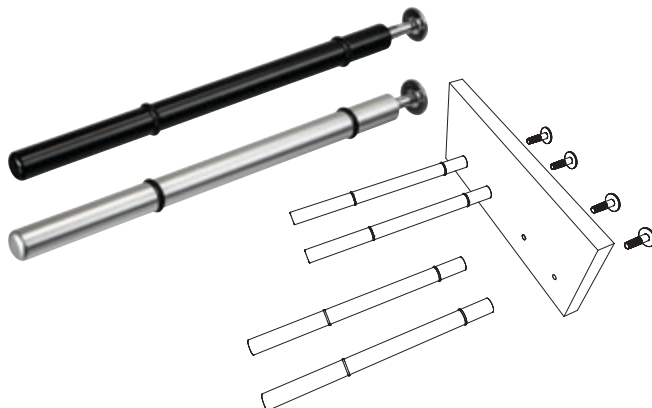
- Stores and displays wine bottles with the neck facing out
- O-rings help cushion and grip wine bottles and are designed for Bordeaux and Burgundy shaped bottles
- Easily attaches to 19 mm (3/4") substrate from back
 Ø x Depth: 12 x 190 mm (1/2" x 7 1/2")

Material: Anodized Aluminum

Finish	Item No.
black	521.99.320
silver	521.99.920

Supplied With

1/4-20 screws for 19 mm (3/4") substrate



Dimensions in mm
 Inches are approximate