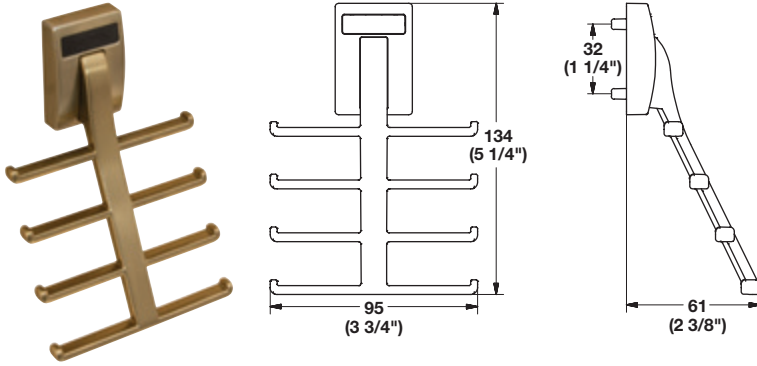


**TAG Synergy Elite Cleat System**

- Hooks are to be used on customer supplied cleat boards
- There are 5 mm (3/16") pins on back of base to help pre-install by lining up the hooks on the boards
- To secure hook to board, there are two #8 holes for screws with cover caps to conceal from view

4



**Tie Hook**

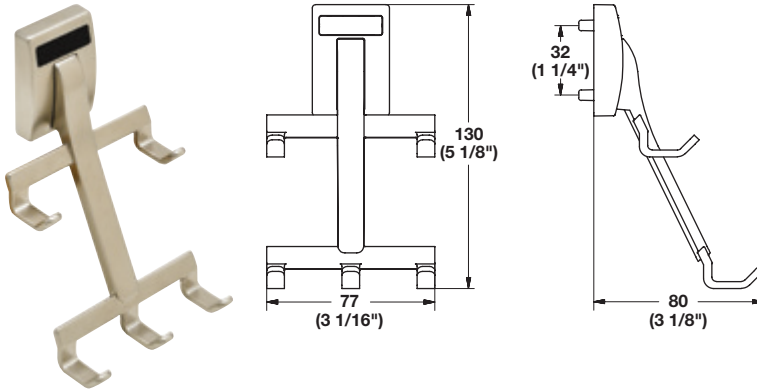
- Cleat mount, stores 8 ties  
 L x W x H: 95 x 61 x 134 mm (3 3/4" x 2 3/8" x 5 1/4")

Material: Zinc

Finish	Item No.
polished chrome	807.69.200
matt aluminum	807.69.000
matt nickel	807.69.600
matt gold	807.69.901
dark oil-rubbed bronze	807.69.100
slate	807.69.370

**Supplied With**

- Screws
- Cover caps



**Belt Hook**

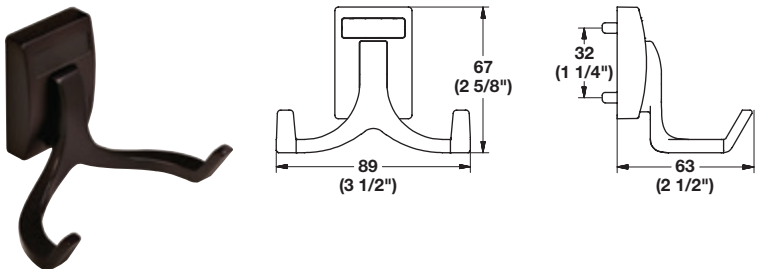
- Cleat mount, stores 5 belts  
 L x W x H: 77 x 80 x 130 mm (3 1/16" x 3 1/8" x 5 1/8")

Material: Zinc

Finish	Item No.
polished chrome	807.69.220
matt aluminum	807.69.020
matt nickel	807.69.620
matt gold	807.69.920
dark oil-rubbed bronze	807.69.120
slate	807.69.320

**Supplied With**

- Screws
- Cover caps



**Double Hook**

- Cleat mount  
 L x W x H: 89 x 63 x 67 mm (3 1/2" x 2 1/2" x 2 5/8")

Material: Zinc

Finish	Item No.
polished chrome	807.69.240
matt aluminum	807.69.040
matt nickel	807.69.640
matt gold	807.69.940
dark oil-rubbed bronze	807.69.140
slate	807.69.340

**Supplied With**

- Screws
- Cover caps



Dimensions in mm  
 Inches are approximate