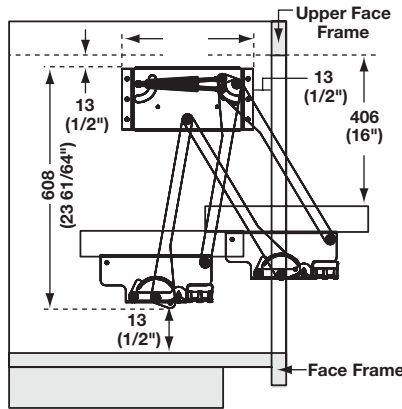
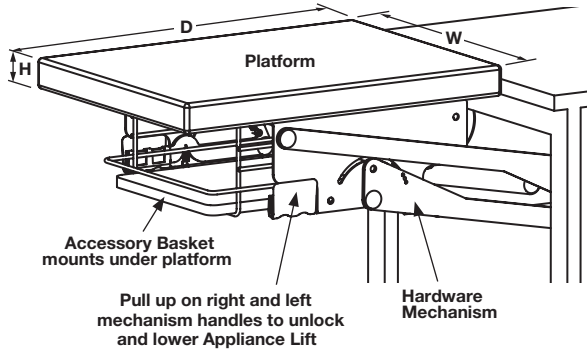


Appliance Lift

- Kitchen appliances raise effortlessly with a gas cylinder assist and then lock securely into place
- Can be outfitted with a custom block platform or a quality pre-made maple wood platform
- Lift can be positioned at two different levels: flush with counter or 50 mm (2") below counter



Note

Install 13 mm (1/2") down and 13 mm (1/2") back from upper Face Frame (as shown).



Hardware Mechanism

- (W) Width: Platform surface + 64 mm (2 1/2")
- (H) Height: 608 mm (23 61/64")
- (D) Depth: Maximum 330 mm (13") or platform depth

Material: Steel

Finish	Item No.
platinum	504.20.900

Supplied With

- 1 Right arm
- 1 Left arm

Note

Load capacity should not exceed 13 kg (30 lbs.).



Block Platform

- (H) Height: 38 mm (1 1/2")
- (D) Depth: 457 mm (18")

Material: Maple

(W) Width	Item No.
343 (13 1/2")	504.20.190
419 (16 1/2")	504.20.191

Accessory Basket

- W x D x H: 251 x 124 x 327 mm
(9 7/8" x 4 7/8" x 12 7/8")

Material: Base: Maple; Surround: Steel; Finish: black

Item No.
504.20.199