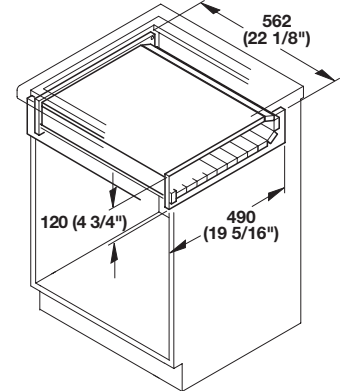
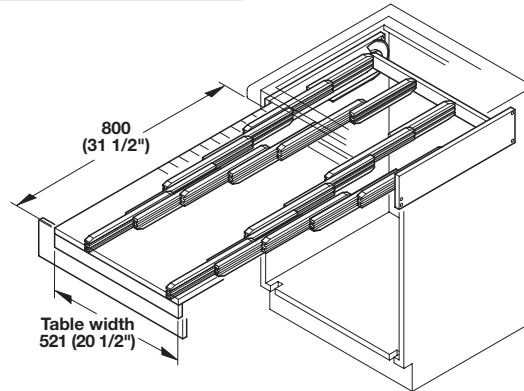


Pull-Out Table Systems

- Self-supporting table
 - A drawer front panel can be screw-mounted directly onto the table front panel
 - The system can be subsequently installed in place of a drawer or between two cabinets
 - Fitting is not visible when installed
- Weight capacity: 220 lbs. (evenly distributed)



Rapid Pull-Out Table

- Cantilevered
For minimum interior width 562 mm (22 1/8")

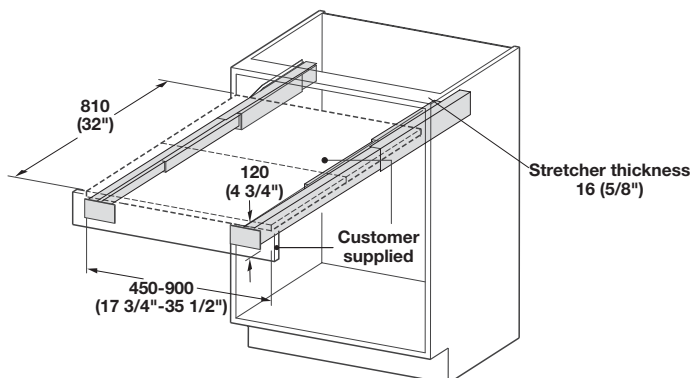
Material: Wood; Table top: Melamine, plastic-coated
Telescopic guides: Beech

Color	Item No.
white/gray dotted	505.58.703
maple	505.58.103

Supplied With

- Housing
- Guides
- Front panel

- Extension fitting can support any width surface up to 900 mm (35 1/2")
 - As the table is extended, the front panel drops down automatically until the top is flush with the table
 - 16 mm (5/8") table top thickness is recommended
- Weight capacity: 66 lbs.



Top Flex Pull-Out Table System

Extended length: 810 mm (32")
Cabinet width: 450 – 900 mm (17 3/4" – 35 1/2")
Interior cabinet opening height: 120 mm (4 3/4")
Minimum cabinet depth: 510 mm (20")

Material: Steel, plated

Item No.
505.70.200

Note

Table top and front panel are customer supplied.

Dimensional data not binding. We reserve the right to alter specifications without notice.

Dimensions in mm
Inches are approximate