

**3**

**Racks and Fences**

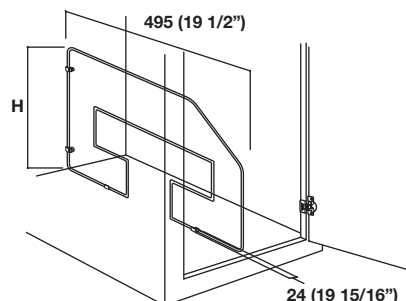


**Baking Rack Support**

- Screw-mounted to cabinet base  
W x D x H: 75 x 300 x 250 mm (3" x 12" x 10")

Material: Steel

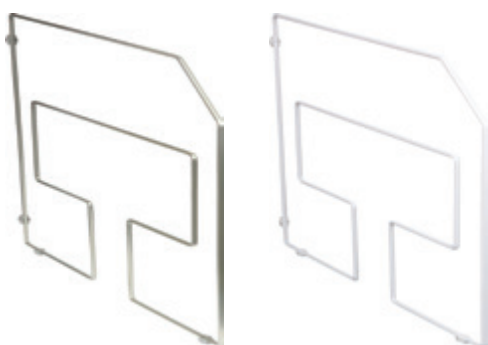
Finish	Item No.
champagne	540.42.800
chrome	540.42.200



**Tray Divider**

- Installs easily with four attachment clips  
W x D: 24 x 495 mm (15/16" x 19 1/2")

Finish	Height	KV No.	Item No.
frosted nickel	305 (12")	TD12-FN	520.18.601
frosted nickel	457 (18")	TD18-FN	520.18.602
white	305 (12")	TD12-W	520.18.701
white	457 (18")	TD18-W	520.18.702



**Fence**

- For wood shelves
- Press-fits in 5 mm diameter drilled holes  
Height: 39 mm (1 1/2")

Material: Steel; Finish: chrome

Length	Drilling Distance	# Press fit plugs	Item No.
248 (9 3/4")	192 (7 9/16")	2	547.51.218
298 (11 3/4")	242 (9 1/2")	2	547.51.227
348 (13 11/16")	292 (11 1/2")	2	547.51.236
398 (15 11/16")	342 (13 7/8")	2	547.51.245
448 (17 5/8")	392 / 196 (15 7/16" / 7 11/16")	3	547.51.254
548 (21 9/16")	492 / 246 (19 3/8" / 9 11/16")	3	547.51.263



Dimensions in mm  
Inches are approximate