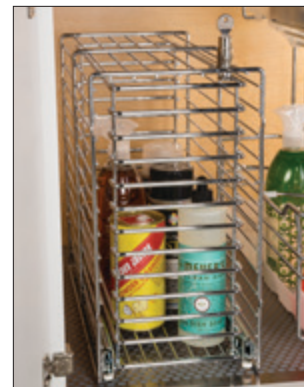


Base Pull-Outs

3



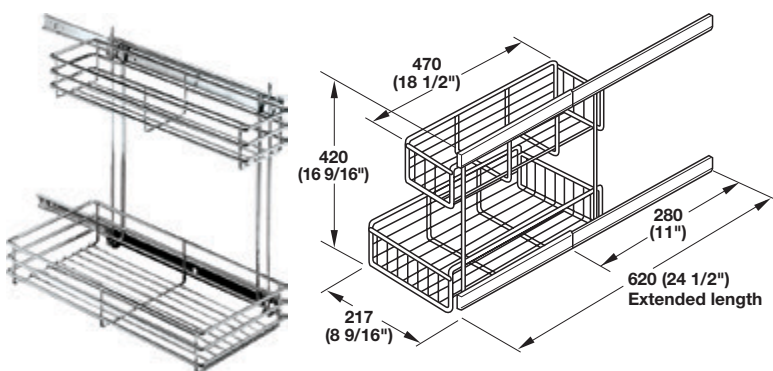
**Lockable Compartment**

- Installs left or right
  - Provides convenient access to cleaning supplies
- D × W × H: 202 × 432 × 440 mm (8" × 17" × 17 3/8")

Material: Steel

Finish	Item No.
chrome	545.48.248

**Supplied With**  
Runners



**Under-sink Storage**

- Installs left or right
- D × W × H: 217 × 470 × 420 mm  
(8 9/16" × 18 1/2" × 16 9/16")

Material: Steel

Finish	Item No.
chrome	545.48.239

**Supplied With**  
Screw mounted upper runners  
Lower runners

Dimensional data not binding. We reserve the right to alter specifications without notice.

Dimensions in mm  
Inches are approximate