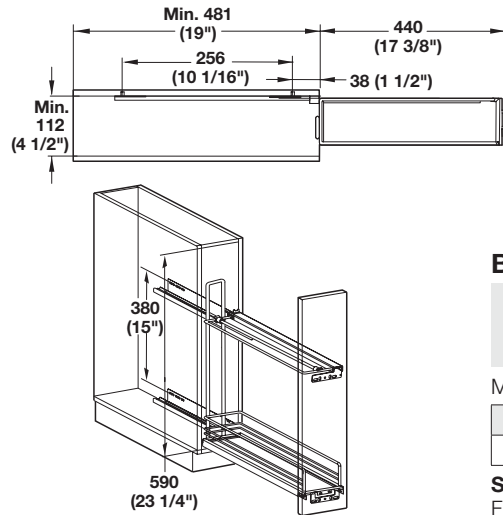


Base Pull-Outs

- Organize your baking trays, serving trays, or cutting boards
 - Soft & Silent Feature slows the pull-out just before final closure, creating automatic and silent closing
 - Make the most of a narrow space
 - Mounts on the right-hand side
- Weight capacity: 12 kg (26 lbs.)

soft&silent)))



Baking Tray 90°

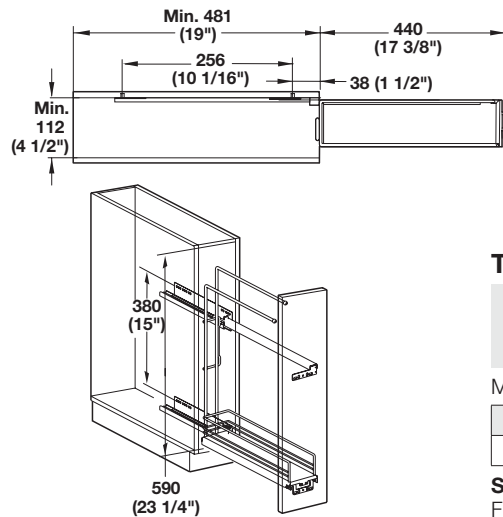
- Minimum inside cabinet width: 112 mm (4 1/2")
- Minimum inside cabinet depth: 481 mm (19")
- Minimum inside cabinet height: 540 mm (21 1/4")

Material: Steel

Finish	Item No.
chrome	545.61.272

Supplied With

Full extension slides



Towel Rail 90°

- Minimum inside cabinet width: 112 mm (4 1/2")
- Minimum inside cabinet depth: 481 mm (19")
- Minimum inside cabinet height: 590 mm (23 1/4")

Material: Steel

Finish	Item No.
chrome	545.61.262

Supplied With

Full extension slides



Movable Divider

- For use on bottom tray

Material: Steel; Clip holder: Plastic; Color: black

Finish	Item No.
chrome	545.61.250

Dimensional data not binding. We reserve the right to alter specifications without notice.