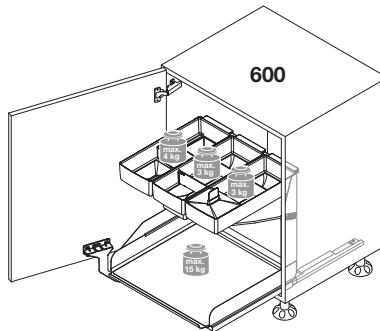


**Base Unit Pull-Out**

- Full base unit pull-outs with soft close for cabinets with hinged doors
- Compact design for efficiently storing your everyday kitchen utensils
- Automatically glides out when opening the cabinet door
- Items are accessible from 3 sides
- Removable dispenser with a transparent lid for storage of spices or other small items
- Special sections for knives, wooden spoons and chopping boards
- Mounts left or right

*soft&silent)))*



**Kitchen Tower 600**

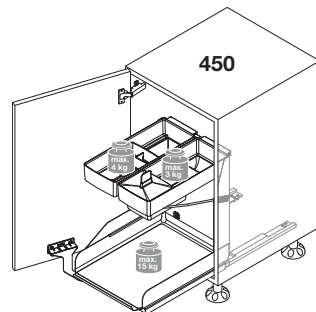
- For 24" frameless cabinets with a door/drawer or full height door  
Minimum inside cabinet dimensions:  
W x D x H: 562 x 500 x 560 mm (22 1/8" x 19 11/16" x 22 1/16")

Material: Steel, powder-coated; Boxes: ABS, UV resistant

Finish	Item No.
silver	545.17.956
anthracite	545.17.356

**Supplied with**

- 3 upper level trays with dividers and a 4-section spice dispenser\*
- 4 magnetic dividers
- Non-slip mat
- Chopping board holder
- Full-extension slide
- Door fitting



**Kitchen Tower 450**

- For 18" frameless cabinets with a door/drawer or full height door  
Minimum inside cabinet dimensions:  
W x D x H: 412 x 500 x 560 mm (16 1/4" x 19 11/16" x 22 1/16")

Material: Steel, powder-coated; Boxes: ABS, UV resistant

Finish	Item No.
silver	545.17.954
anthracite	545.17.354

**Supplied with**

- 2 upper level trays with dividers and a 4-section spice dispenser\*
- 2 magnetic dividers
- Non-slip mat
- Chopping board holder
- Full-extension slide
- Door fitting

**Note**

\* Food and dishwasher safe

Dimensional data not binding. We reserve the right to alter specifications without notice.

Dimensions in mm  
Inches are approximate