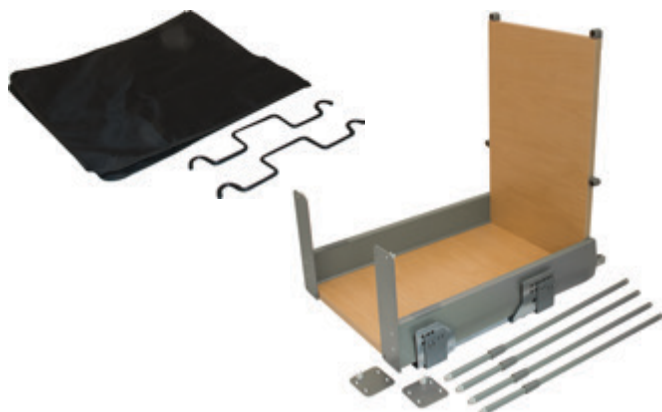


**MX Laundry Hamper**

- For vanity or laundry cabinets
  - Progressive action runners with soft close
  - Double wall steel frame system provides heavy duty structure and a stylish design
  - Bottom mount unit designed for face frame or frameless cabinets
  - Quick mounting, bottom bracket rests against the back of the face frame (3/4" from front edge)
  - Add your door thickness for inset applications
- Weight capacity: 50 kg (110 lbs.)

*soft&silent* )))



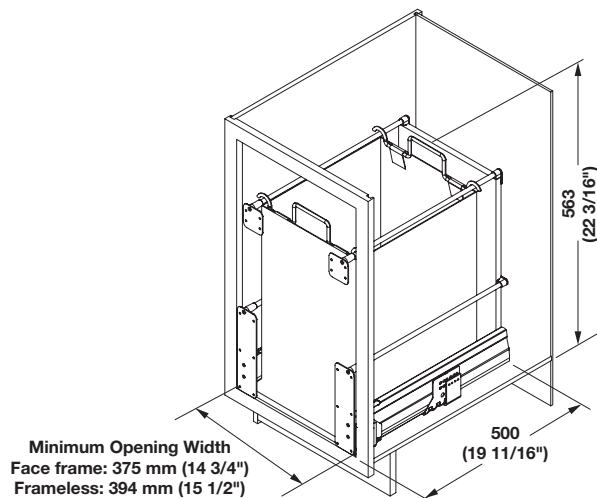
**Laundry Hamper 18"**

- For 457 mm (18") wide base cabinets with no drawer above
- Minimum Opening Width: Face frame - 375 mm (14 3/4")  
 Frameless - 394 mm (15 1/2")  
 Door brackets are reversible for full overlay 5 piece doors - 413 mm (16 1/4")  
 L x D: 500 x 563 mm (19 11/16" x 22 3/16")

Material: Steel; Bottom and Back: Melamine (2-Sided); Bag: Nylon

Frame	Bottom and Back	Bag	Item No.
white	white	black	503.15.765
anthracite	black	black	503.15.365
champagne	maple	black	503.15.865

**Supplied With**  
 Mounting screws  
 Mounting instructions



Dimensional data not binding. We reserve the right to alter specifications without notice.