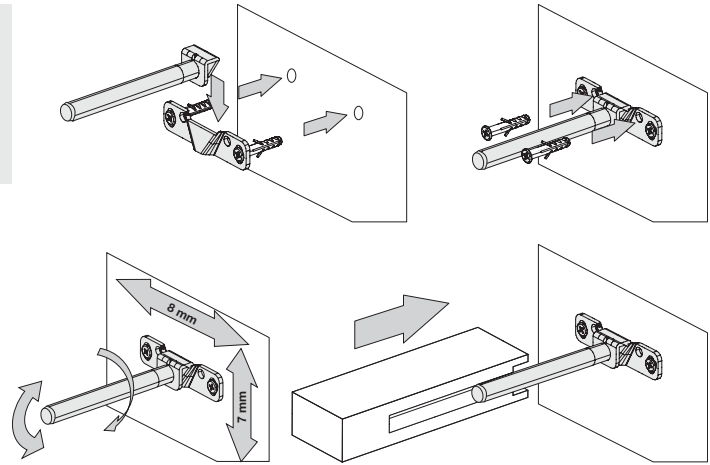
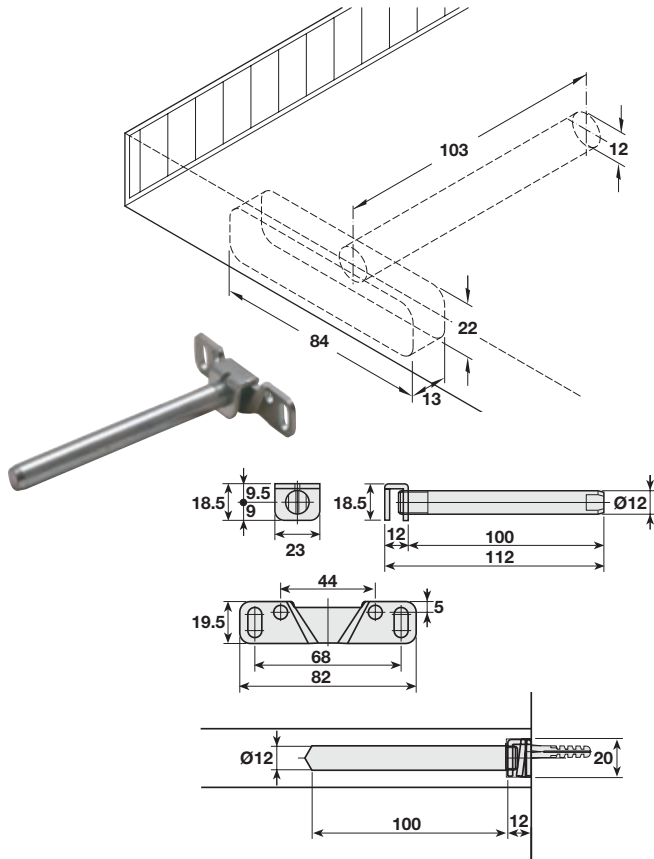


- For concealed installation with screw-on plate and adjustment
- For shelf thickness: ≥ 24 mm
- Inclination adjustment: Via support bolt
- Height adjustment: Via slots in screw-on plate
- Side adjustment: Via support bolt
- For screw mounting to support element; for mounting in drilled hole in shelf

Drilling and routing dimensions in shelf



Shelf Support

Material: Steel, galvanized; Wall plugs: Plastic

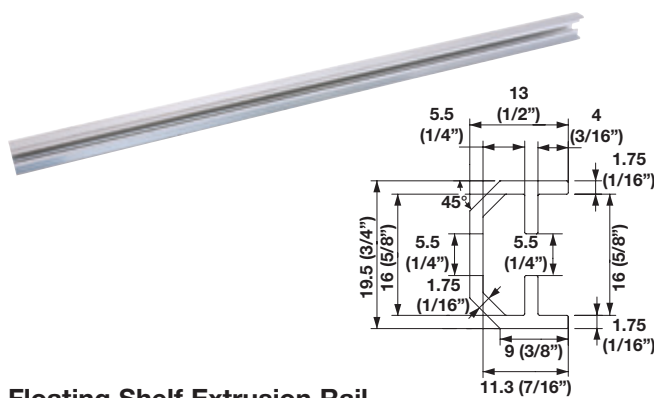
Item No.
283.33.941

Supplied With

- 4 Plastic wall plugs
- 4 Screws

Weight capacity (with two supports on 900 mm shelf, adding one support for every 450 mm increase in length)

Shelf Depth (mm)	Max. Weight Capacity
175	20 kg (44 lbs.)
200	17 kg (37 lbs.)
225	15 kg (33 lbs.)
250	14 kg (31 lbs.)
275	13 kg (29 lbs.)
300	12 kg (26 lbs.)



11

Floating Shelf Extrusion Rail

- Ideal for floating shelves combined with shelf support above
 - Provides strength and stability over long spans
 - Attaches to stud walls with #10 Pan head screws
 - Can be cut and drilled
 - Screw mounted
- L x W x H: 2500 x 13 x 19.5 mm

Material: Aluminum, unfinished

Item No.
833.74.894

Hardware for Floating Shelf System

- For attaching shelf support to rail

Material: Steel

Item No.
020.92.761

Supplied With

- 4 – M5 x 12 mm screws
- 4 – M5 weld nuts

