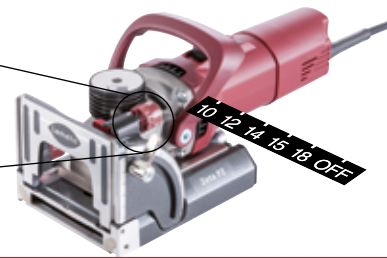
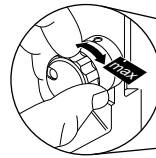




P-System



P-system configurator on our website

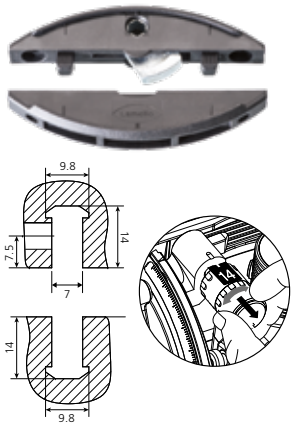


P-System



P-System cutter Part no.
 Ø 100.4 × 7 × 22 mm, Z3
 Diamond tipped **132140**
 Carbide tipped **132141**

Clamex P-14



Detachable connecting connector

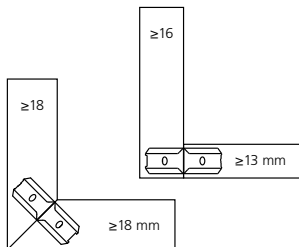
Size 64 × 27 × 9.7 mm

Tensile strength

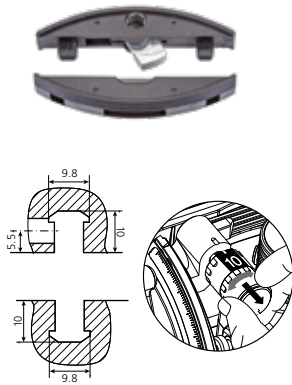
Particle board: ~ 800 N
 Beech: ~ 1'000 N

Part no.

80 pairs **145334**
 300 pairs **145346**
 1000 pairs **145356**



Clamex P-10



Detachable connecting connector

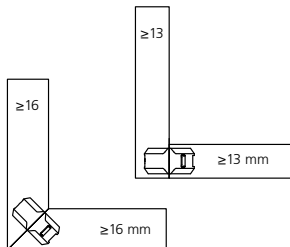
Size 52 × 19 × 9.7 mm

Tensile strength

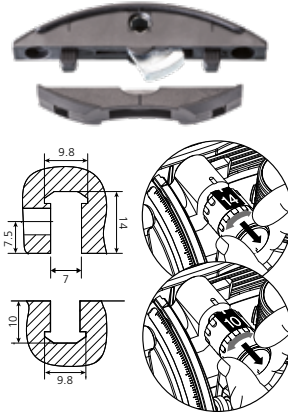
Particle board: ~ 600 N
 Beech: ~ 900 N

Part no.

80 pairs **145372**
 300 pairs **145373**
 1000 pairs **145374**



Clamex P Medius 14 / 10



Detachable connecting connector for center panels

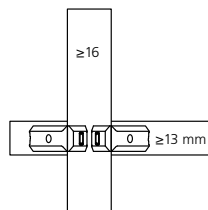
Size 64 × 13.5 × 9.7 mm
 52 × 7.5 × 9.7 mm

Tensile strength

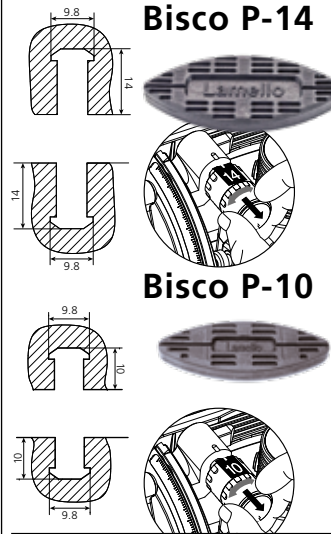
Particle board: ~ 700 N
 Beech: ~ 900 N

Part no.

80 pairs **145370**
 300 pairs **145371**
 1000 pairs **145357**



Bisco P-14



Aligning element suitable for Clamex P-14 + Tenso P-14 and Clamex P-10

Size
Bisco P-14 65 × 27 × 7 mm
Bisco P-10 52 × 19 × 7 mm

Bisco P-14 Part no.

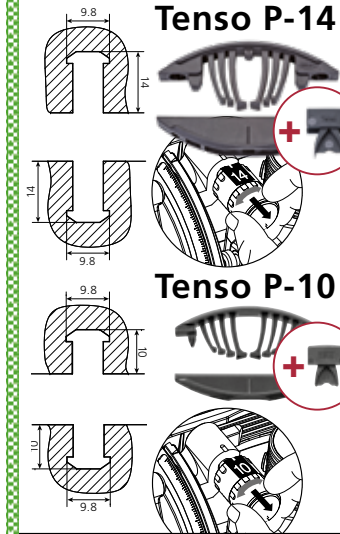
80 pieces **145301**
 300 pieces **145302**
 1000 pieces **145303**

Bisco P-10 Part no.

80 pieces **145304**
 300 pieces **145305**

Bisco P-14: Ideal for dry assembly before gluing with Tenso P-14

Tenso P-14



Self-clamping connector as gluing aid

Size 66 × 27 × 9.7 mm

Tightening force
 per connector: ~ 150 N

P-10 size 52 × 27 × 9.7 mm

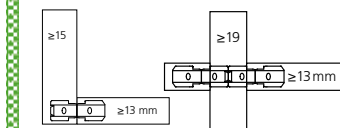
Tightening force
 per connector: ~ 100 N

Tenso P-14 Part no.

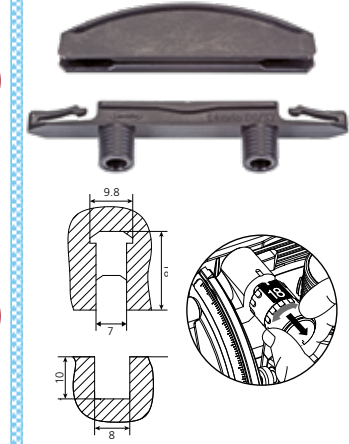
80 pairs **145415**
 300 pairs **145425**
 1000 pairs **145435**

Preload clip Part no.

800 pairs **145418**
 300 pairs **145428**
 1000 pairs **145438**



Divario P-18



Self clamping, invisible connector for slide insertion

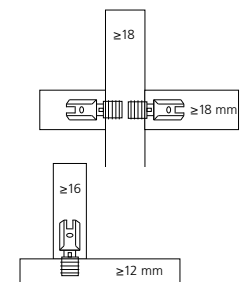
Size 65 × 16 × 9.7 mm
 Ø 8 × 9 mm

Tensile strength

all materials: ~ 600 N

Part no.

80 pairs **145550**
 300 pairs **145560**
 1000 pairs **145570**





Lamello-System



Carbide tipped groove cutter Part no.
 Ø 100 × 4 × 22 mm
 for Zeta, Top, Classic **132000**
 for Classic **132106**

original wooden biscuit

0	Part no.
1000 pieces	144000
Size	47 × 15 × 4 mm

20	Part no.
1000 pieces	144020
Size	56 × 23 × 4 mm

E20-L

Self-clamping element	
Size	56 × 11.5 × 4 mm
Part no.	
80 pieces	145022
400 pieces	145025
1200 pieces	145027

K20

Clamping element	
Size	60 × 24 × 4.5 mm
Part no.	
80 pieces	145001
250 pieces	145000

C20

Biscuit for solid surface	
Size	60 × 23 × 4 mm
Part no.	
250 pieces	145010

Simplex

Detachable slide-in connector	
Size	54 × 23 × 4 mm
Part no.	
50 pairs	166101
100 pairs	166100

10

Part no.	
1000 pieces	144010
Size	53 × 19 × 4 mm

H9**

Part no.	
1000 pieces	144009
Size	38 × 12 × 3 mm

****Carbide tipped groove cutter**
 Ø 78 × 3 × 22 mm, Part no. 132009

E20-H

Self-clamping element	
Size	23 × 28 × 4 mm
Part no.	
80 pieces	145021
400 pieces	145026
1200 pieces	145028

Clamex S-18*

Connector with screw insertion	
Size	66 × 29 × 8 mm
* Cutter with reversible blades: Ø 100 × 8 × 22 mm, Part no. 132108	
Part no.	
18 pairs	145231
80 pairs	145236
300 pairs	145241
1000 pairs	145251

C10

Biscuit for solid surface	
Size	53 × 19 × 4 mm
Part no.	
300 pieces	145012