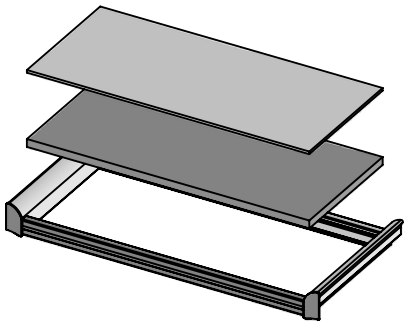
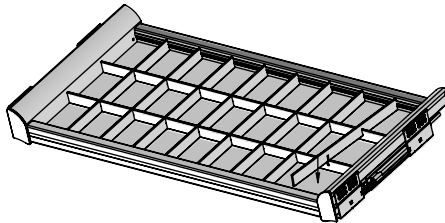


FOLDING STATION CONFIG



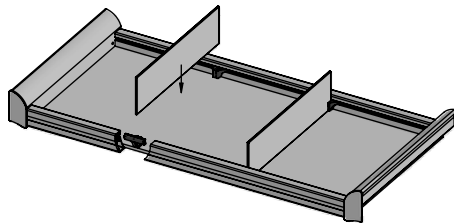
CUT AND PLACE A 3/4 INCH BASE INTO THE FRAME, THEN ADD THE FABRIC WRAPPED BASE ON TOP.

JEWELRY ORGANIZER CONFIG



ADD A JEWELRY ORGANIZER INSERT INTO THE PULLOUT SHELF. REFER TO JEWELRY ORGANIZER INSTRUCTIONS FOR MORE.

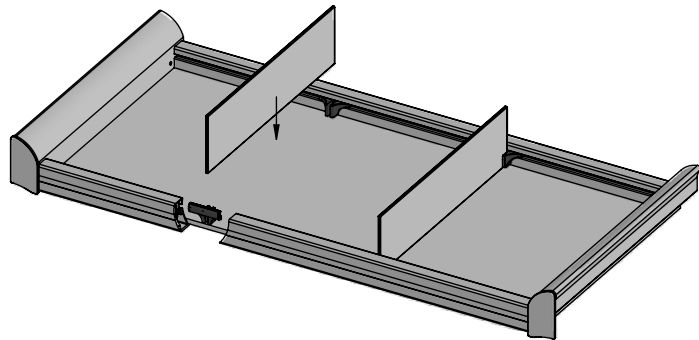
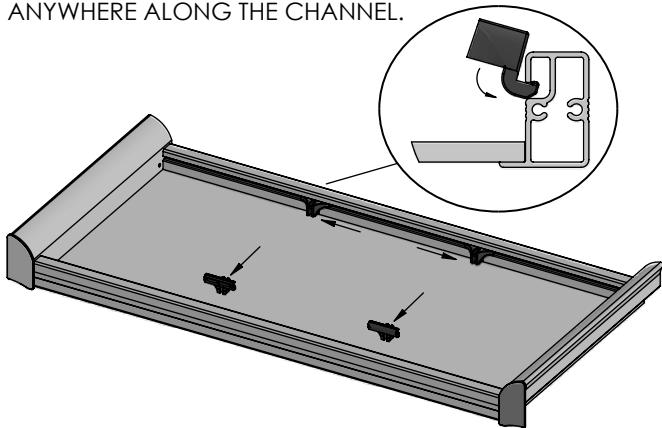
DIVIDED SHELF CONFIG



ADD SHELF DIVIDERS INTO THE PULL-OUT SHELF. REFER TO THE SHELF DIVIDER INSTRUCTIONS FOR MORE.

View How To Videos for more information.
<https://www.youtube.com/user/TagHardware>

STEP 1: INSERT THE PLASTIC CLIPS INTO THE CHANNEL ON THE FRONT AND REAR CROSSBARS. THE CLIPS CAN BE PLACED ANYWHERE ALONG THE CHANNEL.



STEP 2: INSERT THE ACCESSORY DIVIDERS INTO THE CLIPS.

View How To Videos for more information.
<https://www.youtube.com/user/TagHardware>