

Art.-Nr. 300.0894.xx 1000 re
300.0895.xx 1000 li

Magic Corner Standard

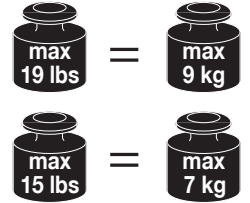
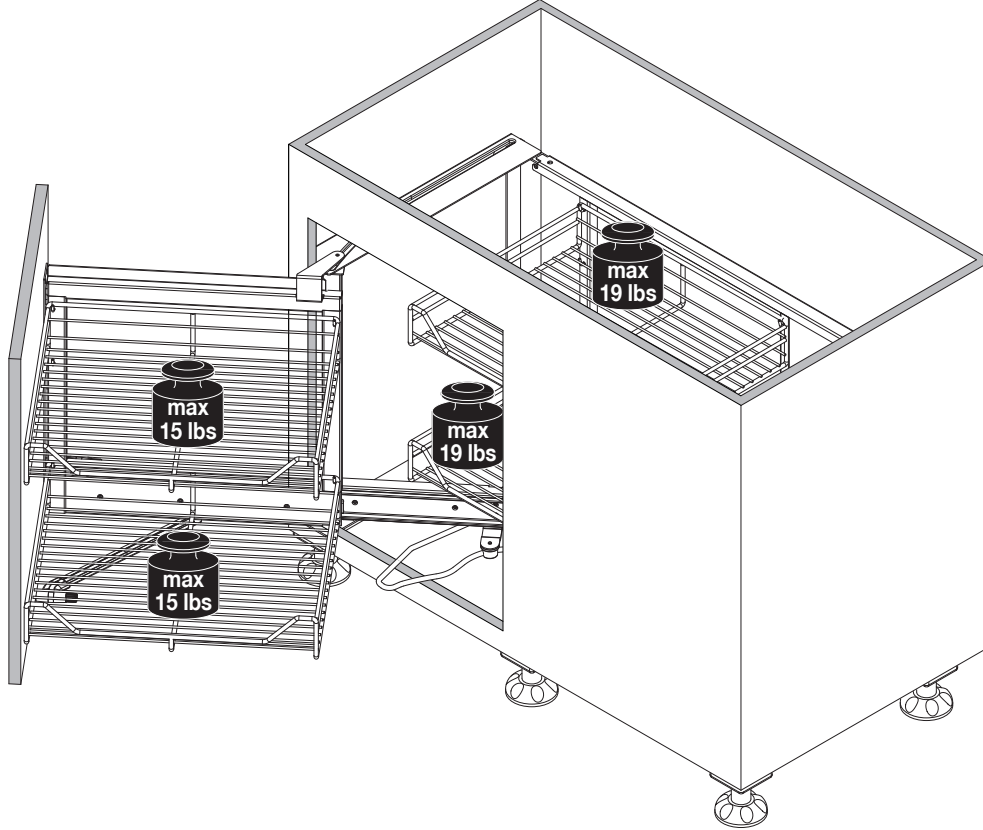
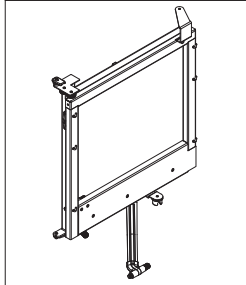
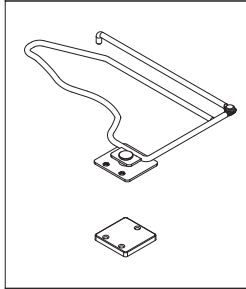
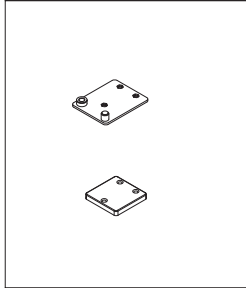
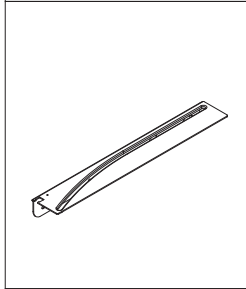
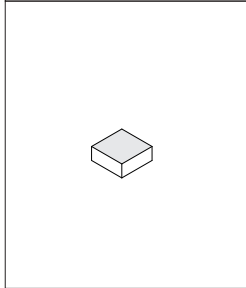
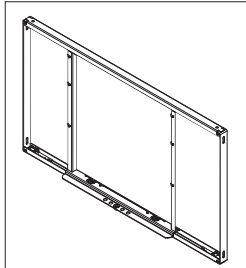


Montageanleitung
Assembly instruction
Instruction de montage

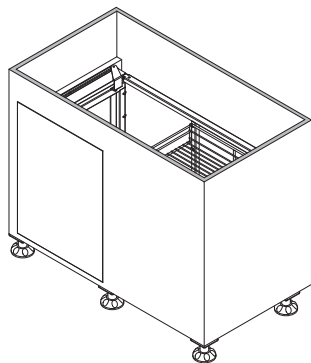
Vollauszug
Full-extension pull-out
Extension complète

6295 Mosen
Switzerland
T +41 41 919 94 00
www.peka-system.ch

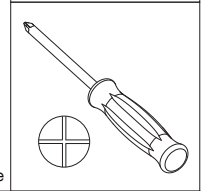
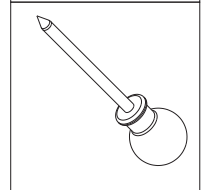
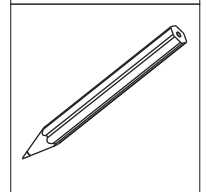
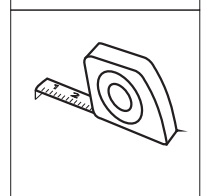
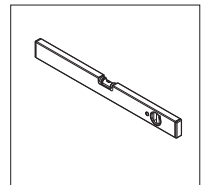
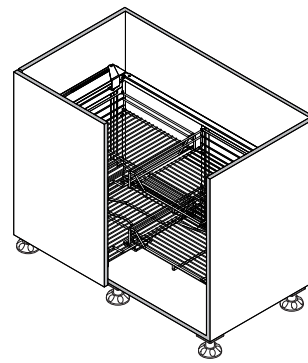
Frame overlay



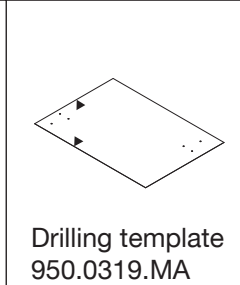
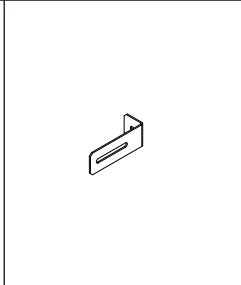
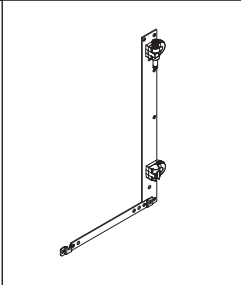
Frame inset



Frameless



This mounting instruction is for a left swivel pull out.
The right swivel pull out instruction is mirror-inverted.



Dimensions in mm
Inches are approximate

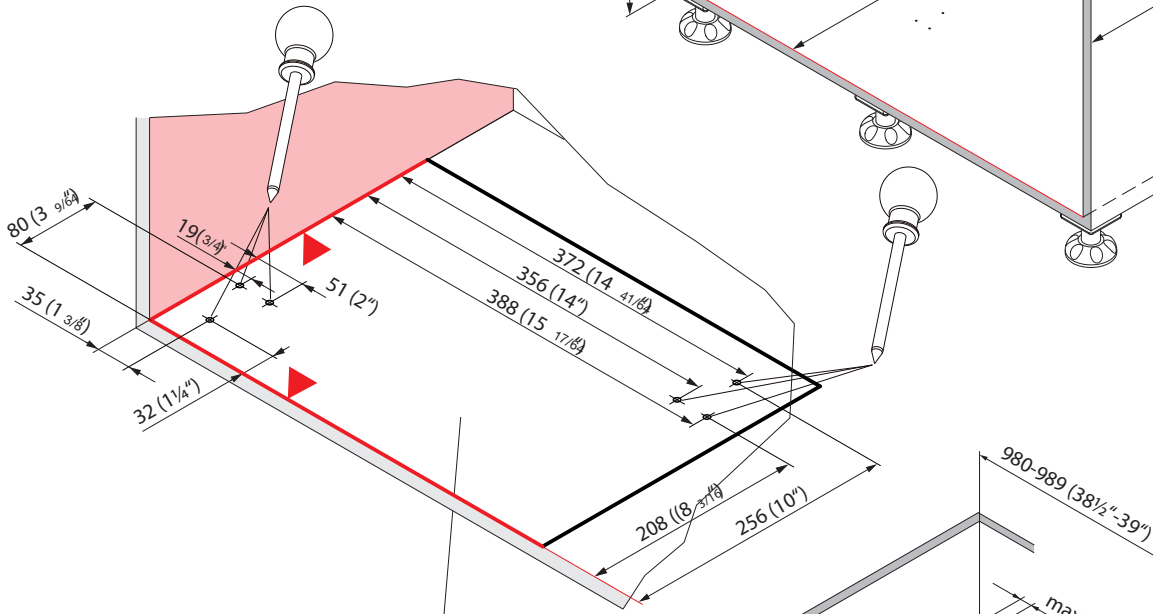
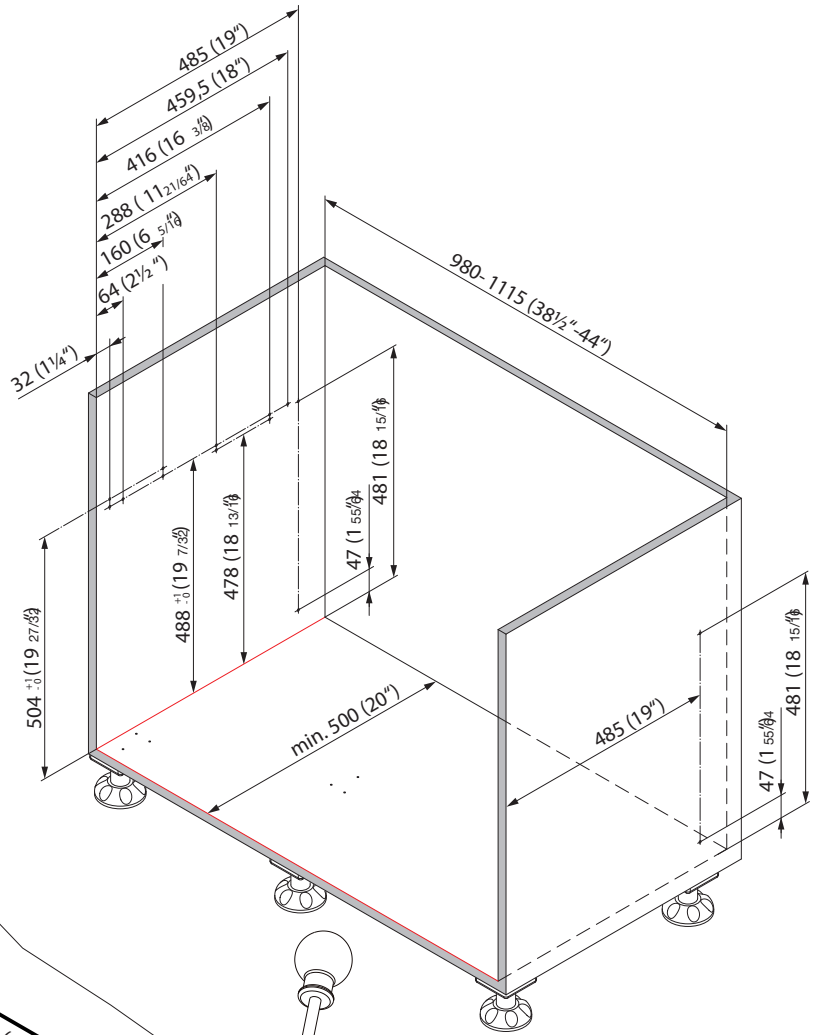
950.0363.MA	Rev. a
28.01.2009 hrm	23.11.2009 hrm
1/8	

Drilling template
950.0319.MA



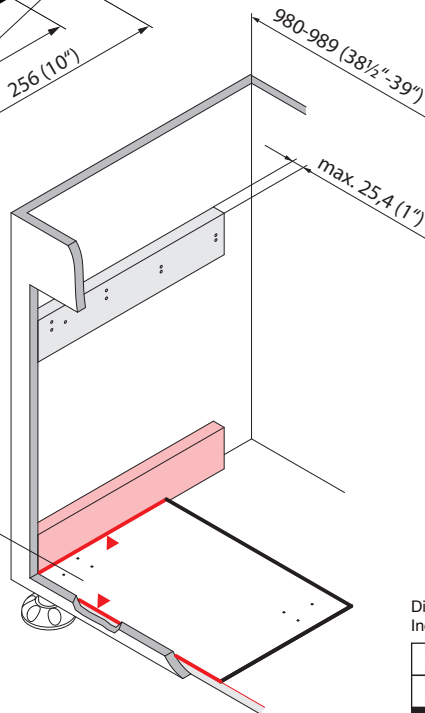
Before starting the installation make sure that the cabinet is level and secured to the wall

Frameless

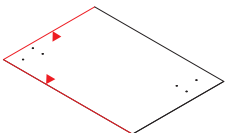


Drilling template

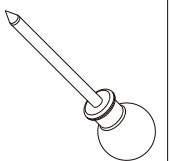
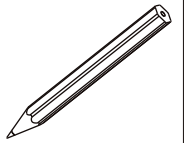
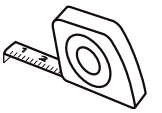
Frame inset



Frameless
Frame inset
Frame overlay



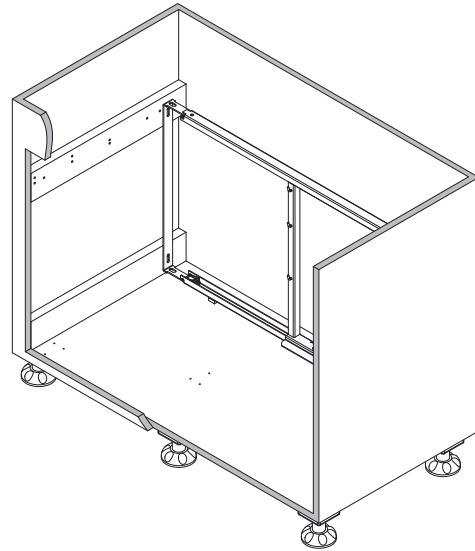
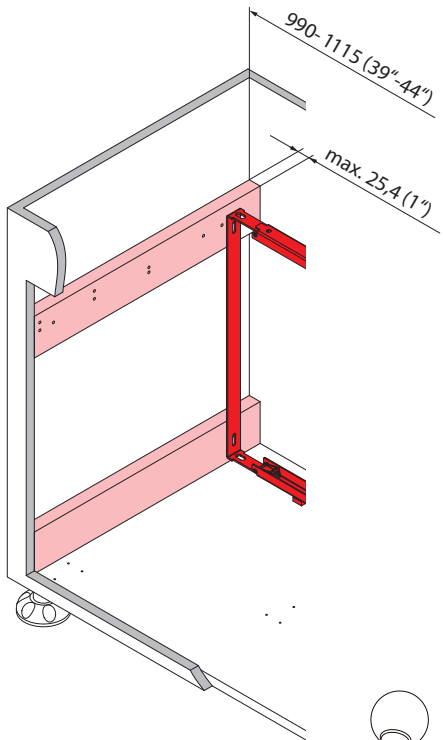
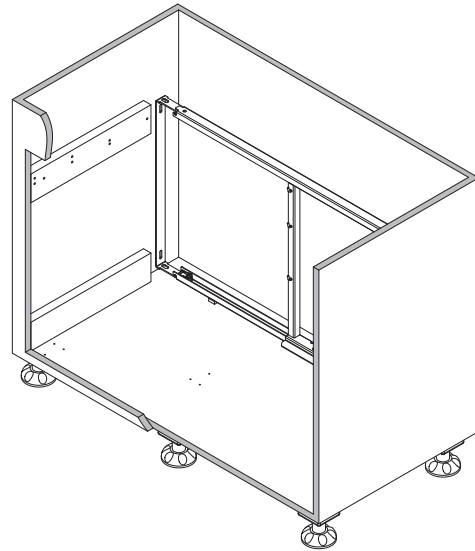
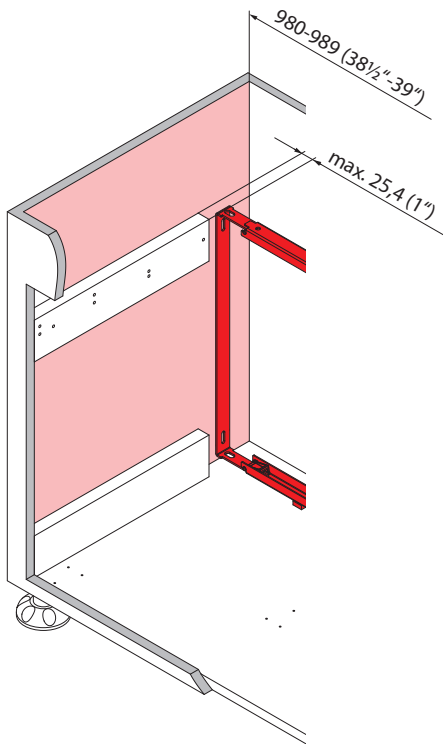
Drilling template



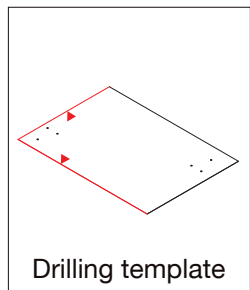
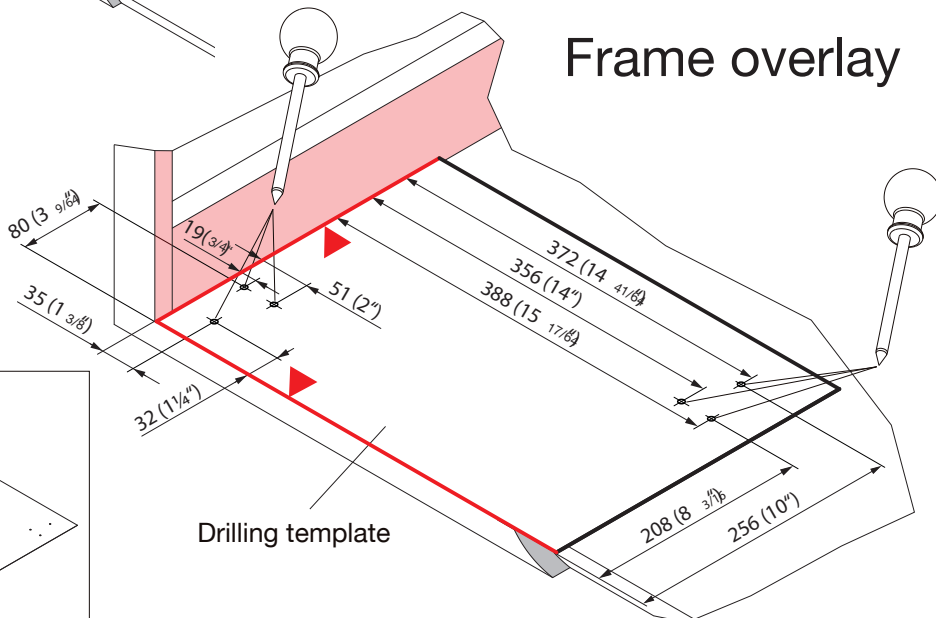
Dimensions in mm
Inches are approximate

950.0363.MA	Rev. a
28.01.2009 hrm	23.11.2009 hrm

Spacer for Frame inset Spacer for Frame overlay



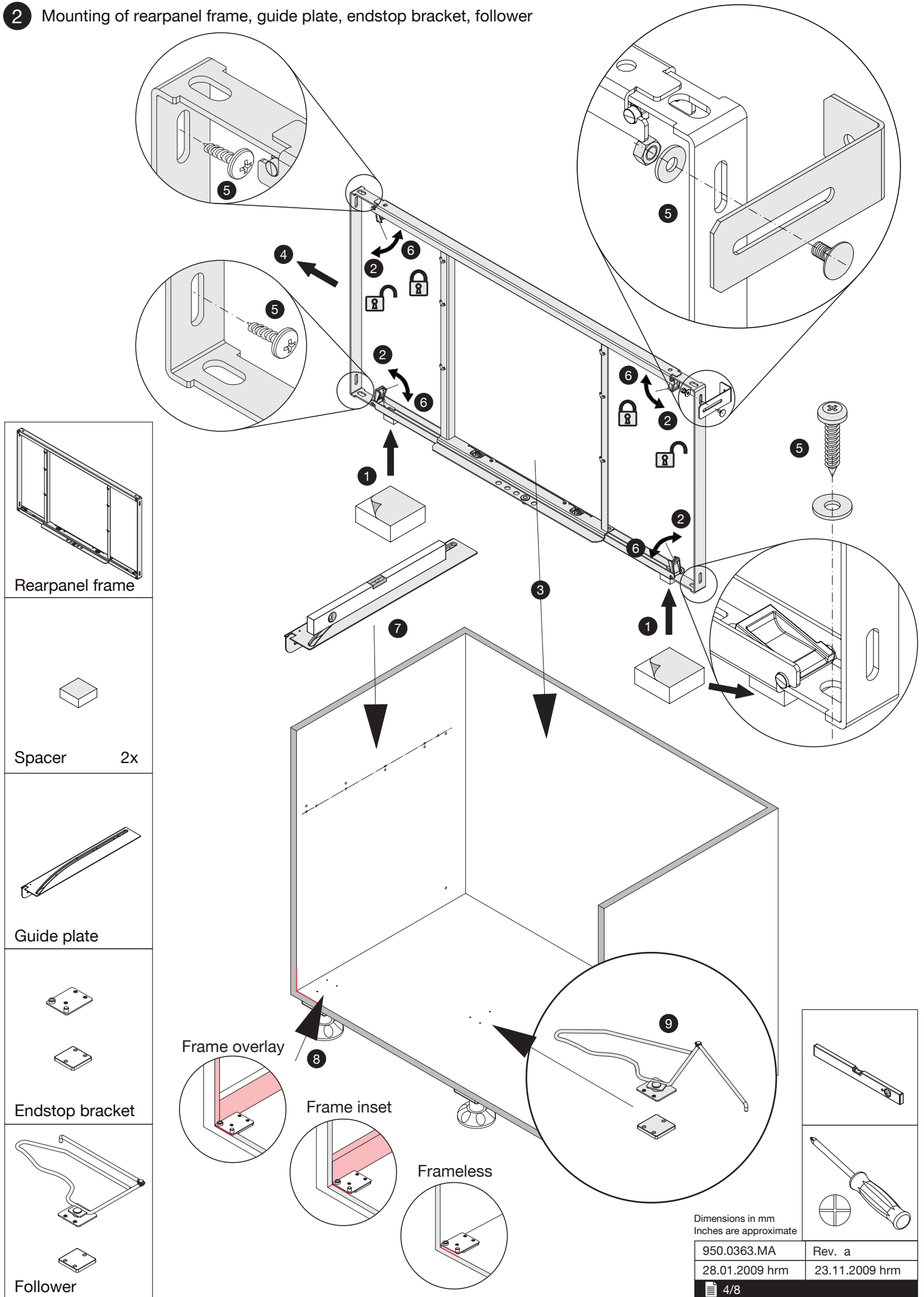
Frame overlay



Dimensions in mm
Inches are approximate

950.0363.MA	Rev. a
28.01.2009 hrm	23.11.2009 hrm
3/8	

2 Mounting of rearpanel frame, guide plate, endstop bracket, follower



Rearpanel frame

Spacer 2x

Guide plate

Endstop bracket

Follower

Frame overlay

Frame inset

Frameless

Dimensions in mm
Inches are approximate

950.0363.MA

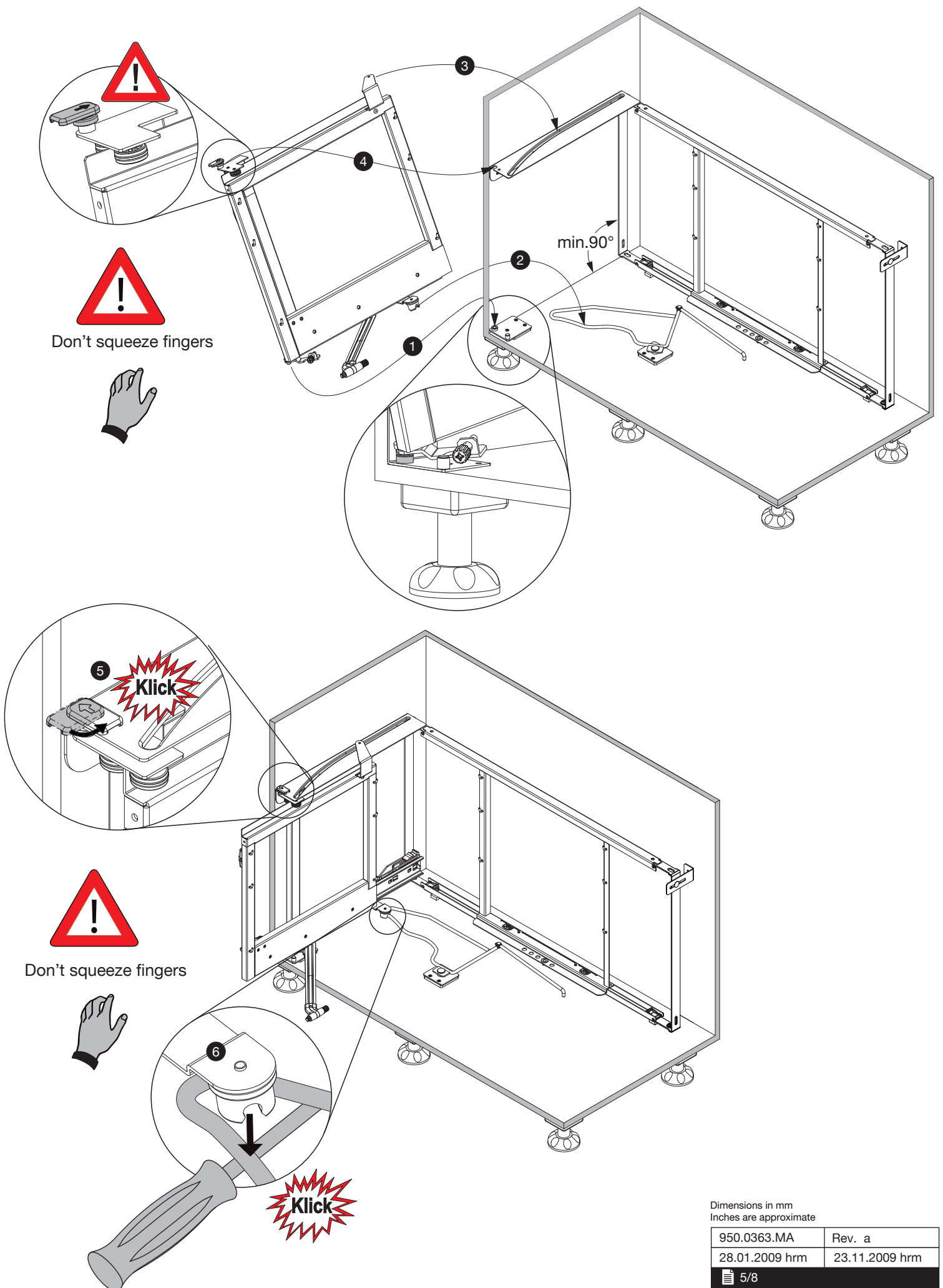
Rev. a

28.01.2009 hrm

23.11.2009 hrm

4/8

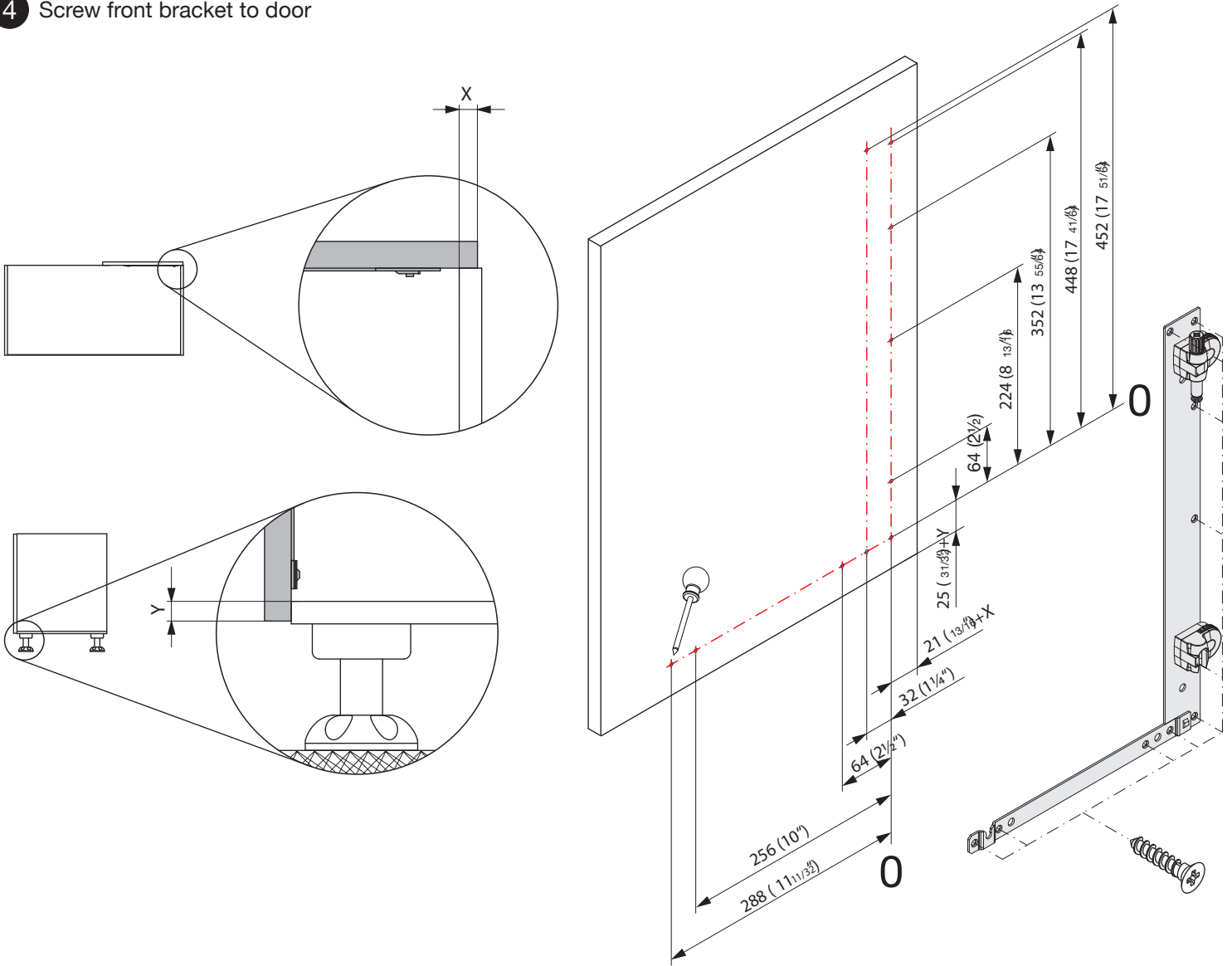
3 Install pull-out frame



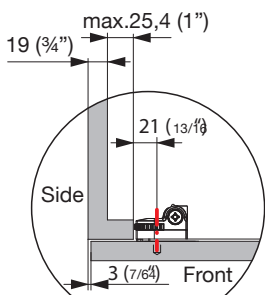
Dimensions in mm
Inches are approximate

950.0363.MA	Rev. a
28.01.2009 hrm	23.11.2009 hrm
5/8	

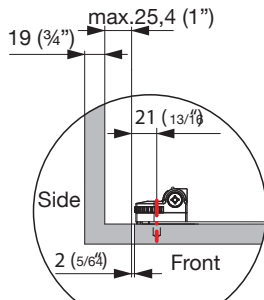
4 Screw front bracket to door



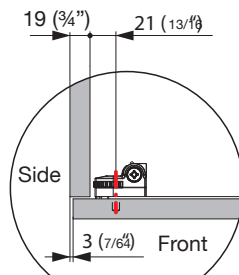
View Side



Frame overlay

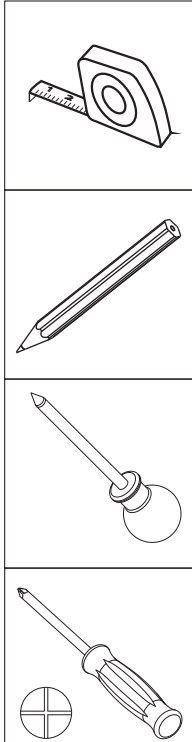
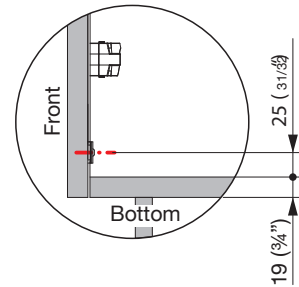
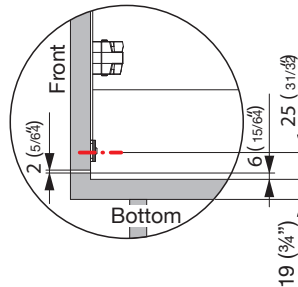
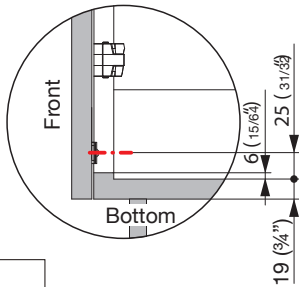


Frame inset



Frameless

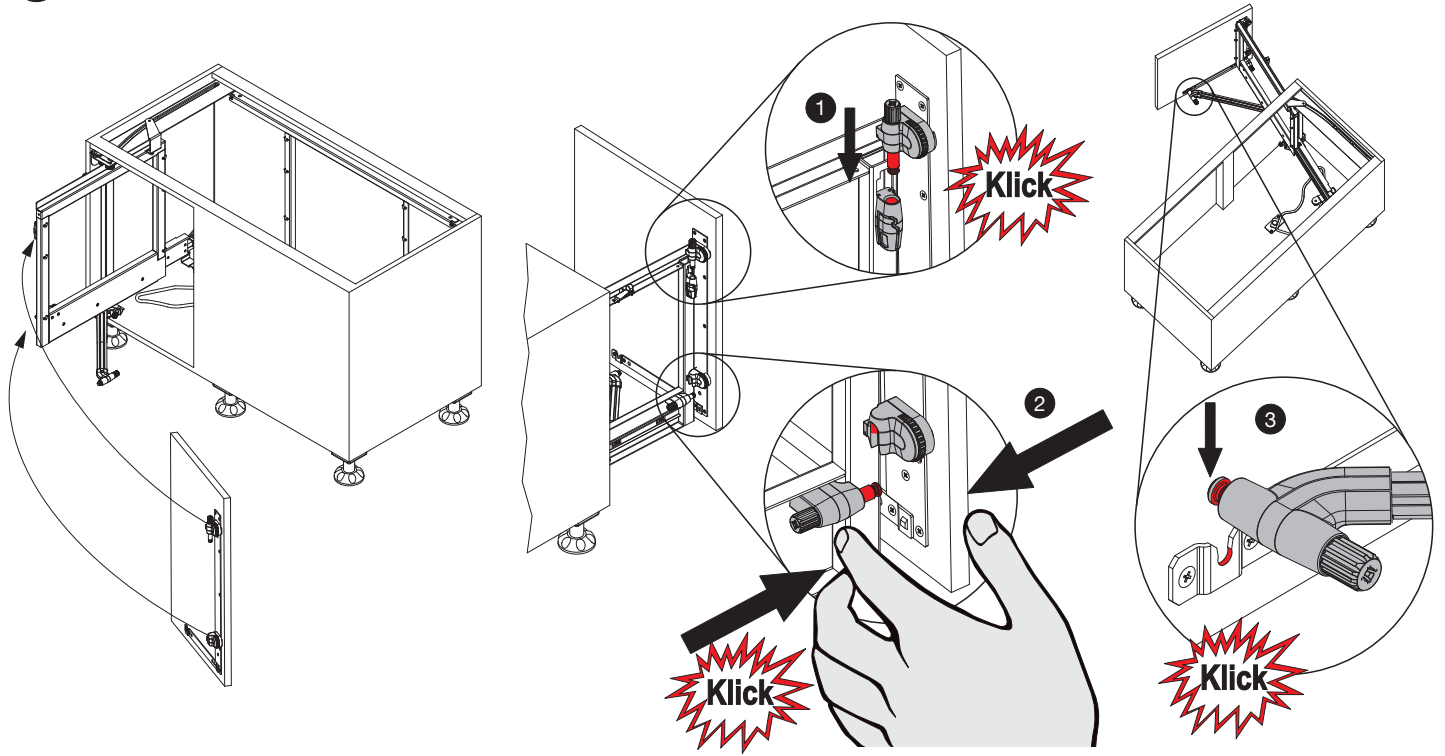
View Bottom



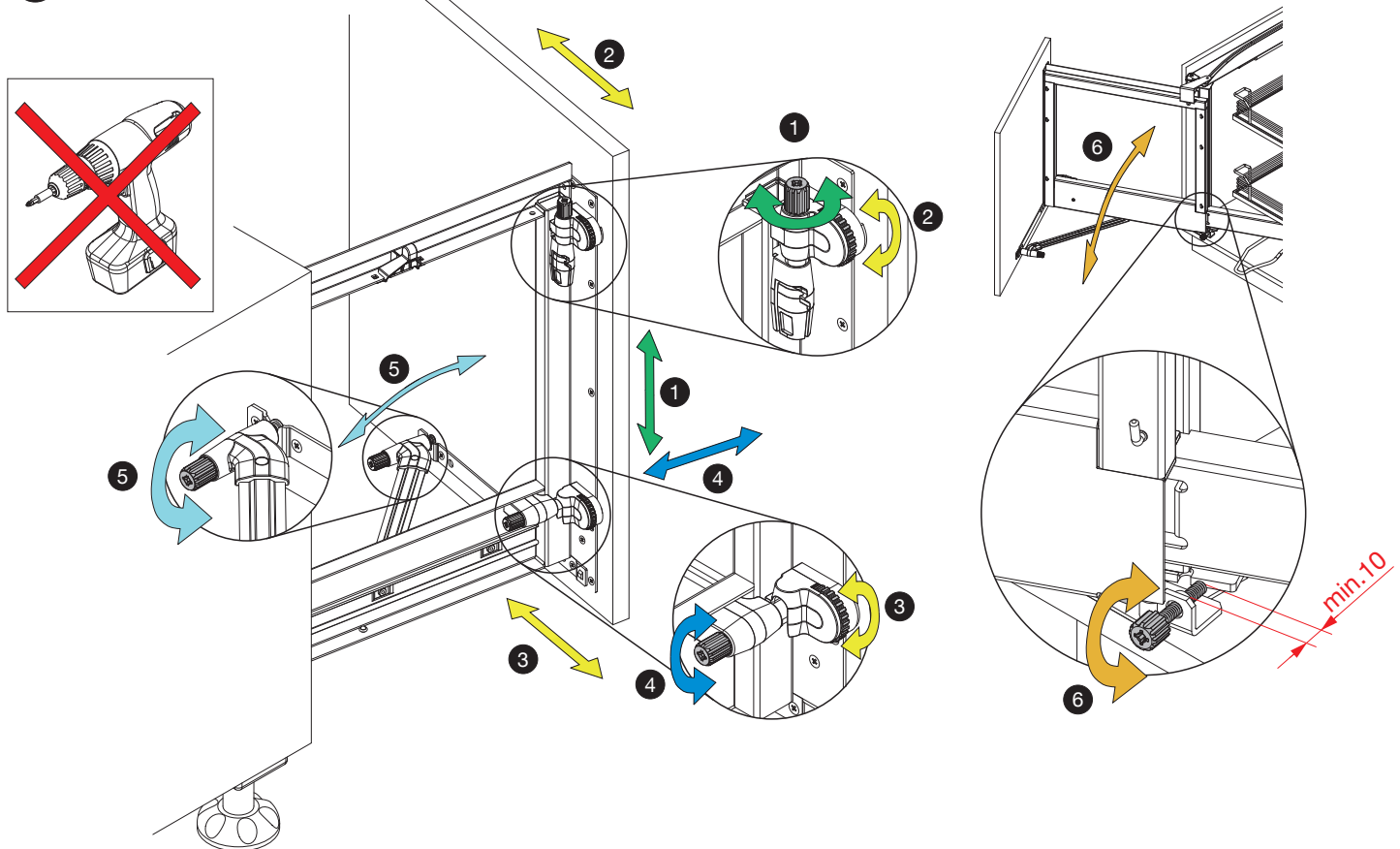
Dimensions in mm
Inches are approximate

950.0363.MA	Rev. a
28.01.2009 hrm	23.11.2009 hrm

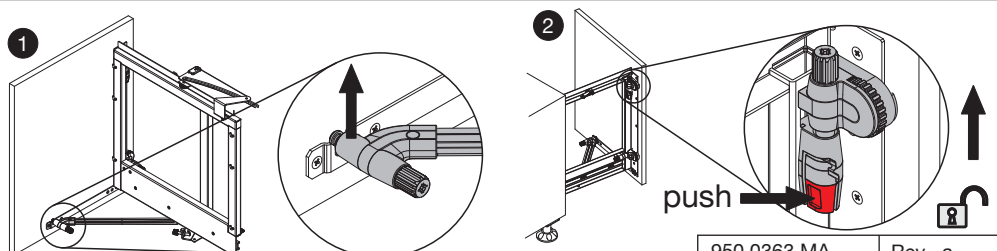
5 Replacement and adjustment of front panel.



6 Adjustment of front panel.



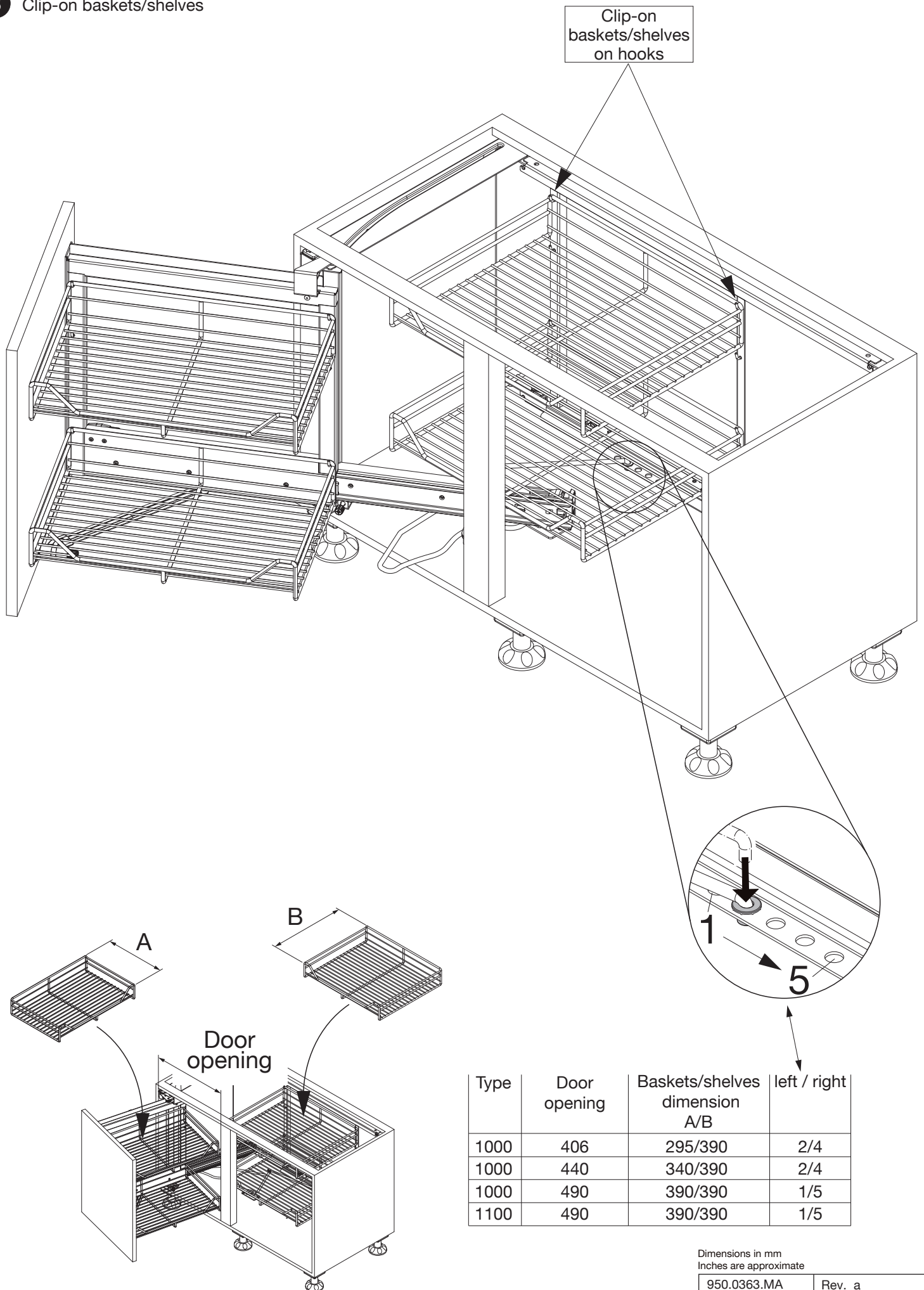
7 Dismounting of front panel.



Dimensions in mm
Inches are approximate

950.0363.MA	Rev. a
28.01.2009 hrm	23.11.2009 hrm
7/8	

8 Clip-on baskets/shelves



Type	Door opening	Baskets/shelves dimension A/B	left / right
1000	406	295/390	2/4
1000	440	340/390	2/4
1000	490	390/390	1/5
1100	490	390/390	1/5

Dimensions in mm
Inches are approximate

950.0363.MA	Rev. a
28.01.2009 hrm	23.11.2009 hrm
8/8	