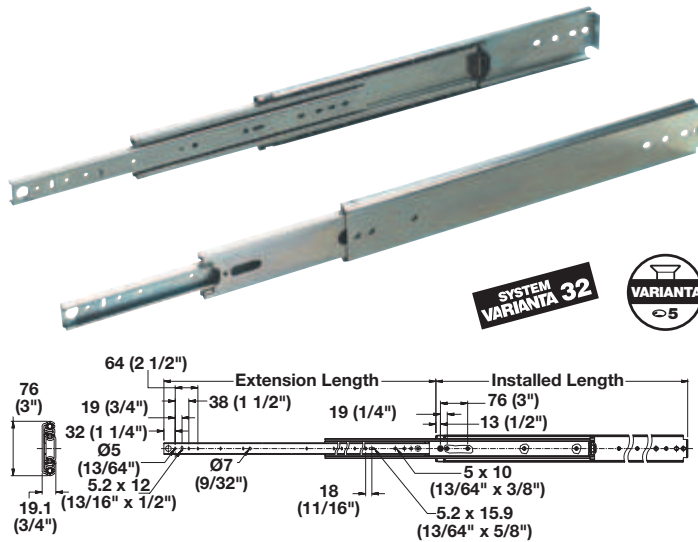


Accuride Full Extension

- Extra heavy duty

Applications	Weight Capacity Maximum	Drawer Widths
Moderate use	227 kg (500 lbs.)	up to 18"
Frequent use	182 kg (400 lbs.)	up to 42"
Mobile (Vehicular)	136 kg (300 lbs.)	up to 32"
Flat mount	68 kg (150 lbs.)	up to 32"



9301 - Side/Bottom Mounted

Material: Steel; Finish: zinc-plated

Installed Length	Extension Length	Item No.
305 (12")	305 (12")	422.10.930
356 (14")	356 (14")	422.10.935
406 (16")	406 (16")	422.10.940
457 (18")	457 (18")	422.10.945
508 (20")	508 (20")	422.10.950
559 (22")	559 (22")	422.10.955
610 (24")	610 (24")	422.10.960
660 (26")	660 (26")	422.10.965
711 (28")	711 (28")	422.10.970
762 (30")	762 (30")	422.10.975
813 (32")	813 (32")	422.10.980
864 (34")	864 (34")	422.10.985
914 (36")	914 (36")	422.10.990
1016 (40")	1016 (40")	422.10.992
1219 (48")	1219 (48")	422.10.996
1524 (60")	1524 (60")	422.10.998

Note

This slide is not intended to support human weight as injury may result.

8

Platform Bracket Kit

Brackets allow for two mounting options:

1. Bottom Mount:

One bracket attached to the outer member of the slide and the base of the cabinet. The other bracket attached to the inner member of the slide and the platform or tray.

2. Side Mount:

The slide's outer member attaches to the side of the cabinet and the bracket attaches to the slide's inner member.

Brackets are unhandred and available in lengths of 12", 16", 22" and 28". These four sizes, used individually or in combination, will accommodate all slide lengths. To assist in bracket kit selection, see the chart below:

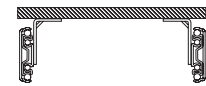
Bracket Ordering Information

Material: Steel, plated

Side Length	Bracket Kit Size				Qty. of kits required per pair of slides	
	12"	16"	22"	28"	Side Mount	Bottom Mount
305 - 356 (12" - 14")	•				1	2
406 - 508 (16" - 20")		•			1	2
559 - 660 (22" - 26")			•		1	2
711 - 813 (28" - 32")				•	1	2
864 - 914 (34" - 36")	•				2	4
1016 - 1067 (40" - 42")	•		•		1 of ea.	2 of ea.
1219 (48")	•			•	1 of ea.	2 of ea.
1824 (60")			•	•	1 of ea.	2 of ea.

Side-mount Applications

- Pantry pull-outs
- Printer platforms
- Tray installations



Bottom-mount Applications

- TV pull-outs
- Entertainment unit shelving
- Heavy-duty storage platforms

