

Item No.: 503.88.852

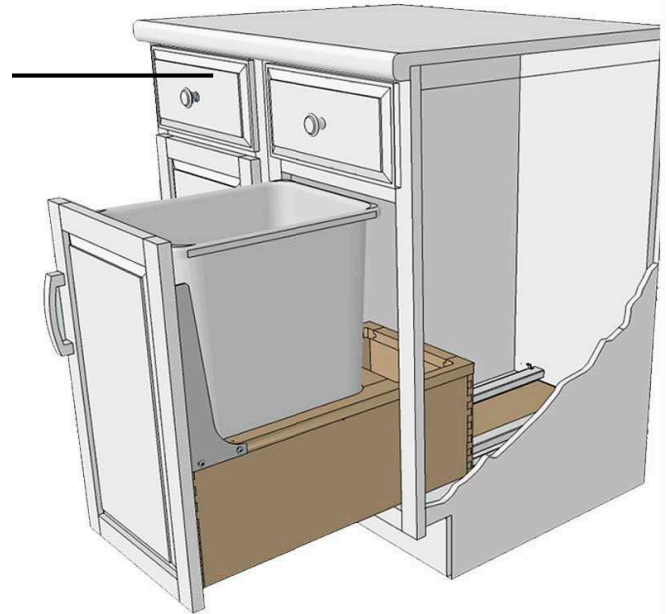
SINGLE WASTE BIN PULL-OUT

Always read the instructions carefully and completely before beginning assembly.
Remove and check contents for damage and/or missing parts.

**Box Contents: 1 pc . Waste Bin Pull-Out
1 pc. 35 Quart Waste Bin
1 pc. Wooden Storage Box
1 pr. Door Mount Brackets
4 pc. M4x14 Machine Screws**

You will need:
Safety Glasses
Tape Measure
Screw Driver

*Double Sided Padded Tape
Wood Screws for Slide Mount and Door Mount



Installation Instructions

- STEP 1- Remove door from cabinet (*IMPORTANT! This unit is designed for use with a 24" deep base Cabinet*)
- STEP 2- Place unit inside the cabinet. Make sure face of unit is flush with the outside of the cabinet frame. Center unit left and right(see Fig.1). Secure unit to cabinet with four wood screws (*Not Included*) through the base of the unit into the floor of the cabinet. Be sure to drive screws near the four corners, but allow enough room back to clear the cabinet's kick space (see Fig.2). (*IMPORTANT: Do not allow the Pull Out Unit to protrude past the cabinet's face frame or Door will not close properly*).
- STEP 3- Attach Door Mount Brackets to top side of Unit using the 4 machine screws provided into the threaded inserts in top edge of Unit (see Fig.3).
- STEP 4- Attach cabinet door to Waste Bin Pull-out. * *HELPFUL HINT*-Place 4 pads of double sided tape onto Pull-out. (See Fig-4) With unit closed, align Cabinet door as desired and press against tape. Remove unit and attach Cabinet Door to Pull-out using 6 wood screws (*Not included*) (See Fig-4). (*IMPORTANT! Use caution on your fastener length to avoid protrusion thru door face*). Place Plastic Waste Bin into cutout in Waste Bin Pull-out.

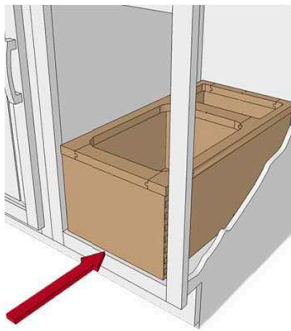


Fig.1

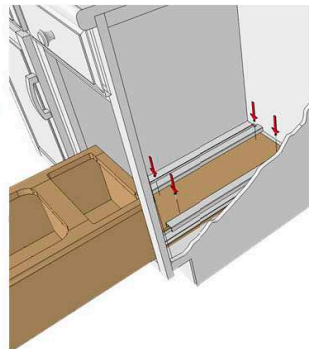


Fig.2

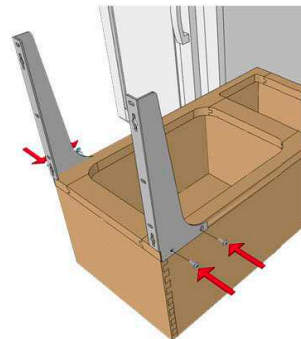


Fig.3

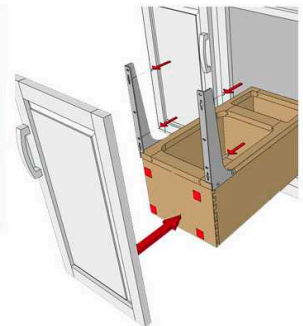


Fig.4