

**KV Pull-Out Bottom Mount**

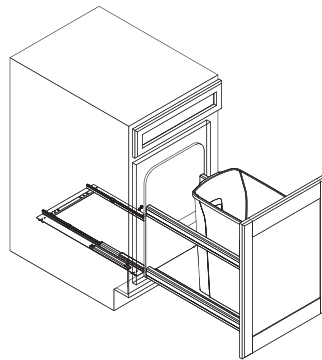
- Heavy-duty, under-mount slide with soft-close technology
  - Installs in minutes using self-aligning brackets secured with only four screws
  - Eco-friendly frosted nickel finish or white
  - Color coordinated aluminum side rails provide stability while concealing slide hardware
  - Unique, washable, solid backsplash and floor:
    - Prevents debris from falling through to floor/cabinet
    - Easy to clean
    - Conceals hardware
  - Decorative rail accents can be customized to match countertops or cabinetry
  - Optional lids
  - Door brackets are reversible to adapt from standard width opening up to door sizes 3" wider
- Weight capacity: 100 lbs.

**Note**

If using lid, add 3/4" to height.



*soft&silent )))*

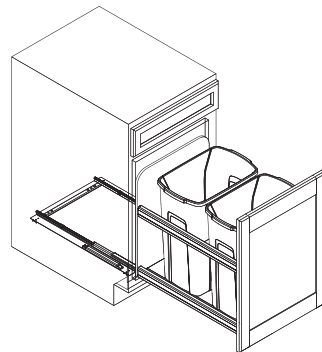


**Single Bin Units**

W x D: 299 mm x 570 mm (11 13/16" x 22 7/16")

Material: Aluminum; Bins: Plastic

Finish/Color	Height	Capacity	KV No.	Item No.
frosted nickel	487 (19 3/16")	35 qts.	USC12-1-35PT	503.11.503
white	487 (19 3/16")	35 qts.	USC12-1-35WH	503.11.703
frosted nickel	591 (23 1/4")	50 qts.	USC12-1-50PT	503.11.513
white	591 (23 1/4")	50 qts.	USC12-1-50WH	503.11.713



**Double Bin Units**

W x D x H: 376 mm x 570 mm x 487 mm  
(14 13/16" x 22 7/16" x 19 3/16")  
Capacity: 2 x 35 quarts (70 quarts)

Material: Aluminum; Bins: Plastic

Finish/Color	KV No.	Item No.
frosted nickel	USC15-2-35PT	503.11.527
white	USC15-2-35WH	503.11.727

W x D x H: 390 mm x 570 mm x 590 mm  
(15 3/8" x 22 7/16" x 23 1/4")  
Capacity: 2 x 50 quarts (100 quarts)

Material: Aluminum; Bins: Plastic

Finish/Color	KV No.	Item No.
frosted nickel	USC18-2-50PT	503.13.533
white	USC18-2-50WH	503.13.733