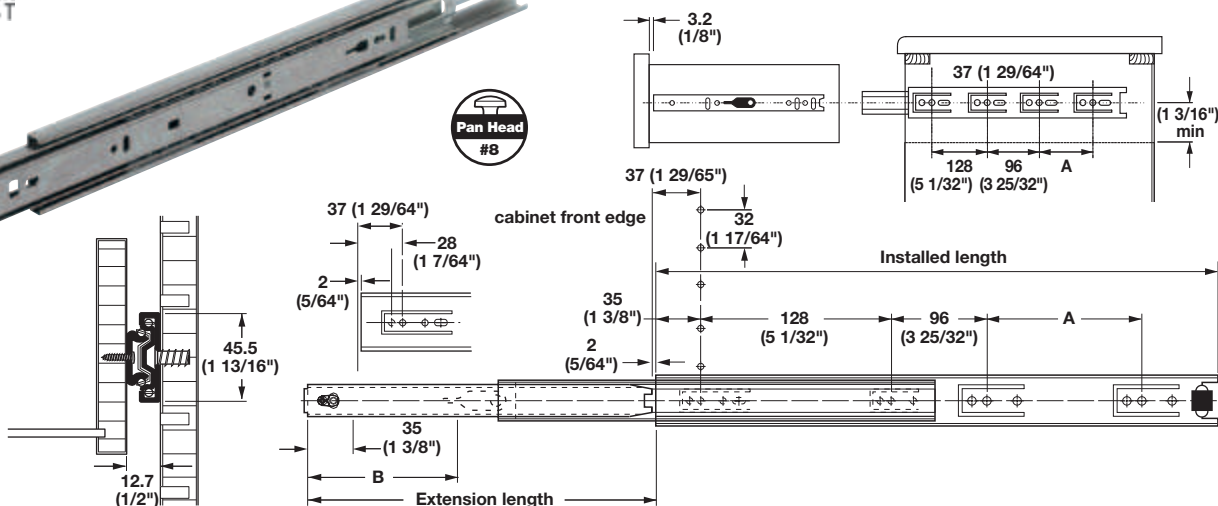
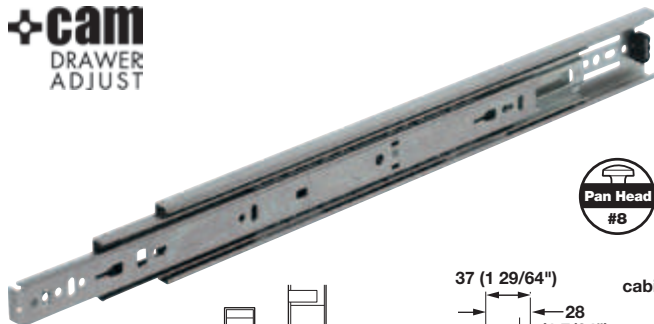


**Accuride Full Extension, Telescopic**

Weight capacity max.: 45 kg. (100 lbs.)/pair

- For drawers up to 610 mm (24") wide
- Hold-in detent
- Lever disconnect
- BHMA certified to Grade 1 HD-100



**3832 - Side Mounted**

Material: Steel, zinc-plated or epoxy-coated

8

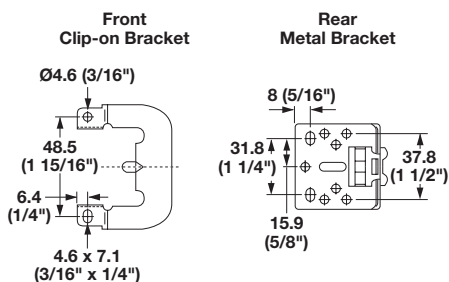
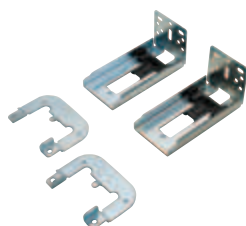
Installed and Extension Length	Shop Pack Zinc	Bulk Pack Zinc	Bulk Pack Black	Bulk Pack White	FP Pack Zinc
150 (6")	422.04.152	-	-	-	-
200 (8")	422.04.203	-	-	-	-
250 (10")	422.04.258	422.04.259	422.04.268	422.04.277	422.04.925
300 (12")	422.04.301	422.04.302	422.04.311	422.04.320	422.04.930
350 (14")	422.04.356	422.04.357	422.04.366	422.04.375	422.04.935
400 (16")	422.04.401	422.04.400	422.04.419	422.04.428	422.04.940
450 (18")	422.04.454	422.04.455	422.04.464	422.04.473	422.04.945
500 (20")	422.04.507	422.04.508	422.04.517	422.04.526	422.04.950
550 (22")	422.04.552	422.04.553	422.04.562	422.04.571	422.04.955
600 (24")	422.04.605	422.04.606	422.04.615	422.04.624	422.04.960
650 (26")	422.04.650	422.04.651	422.04.660	422.04.679	422.04.965
700 (28")	422.04.703	422.04.704	422.04.713	422.04.722	422.04.970

**Supplied With**

Shop Pack: 1 pair Slides, screws and instructions

FP Pack: 10 pairs Slides, separated

Bulk Pack: 10 pairs Slides



**Face Frame Rear Brackets, optional**

Material: Steel

Finish	Item No.
zinc-plated	422.59.002

Pan head screws

pages 11.134-11.135

Dimensional data not binding. We reserve the right to alter specifications without notice.