

# NOVA U

(Nova U Mini/ Nova U/ Nova U Pro)

## USER'S MANUAL

## **ITEMS IN BOX**

Nova U Ukulele

Case

Ukulele Strings

Ukulele Strap

Capo

Charging Cable

(AcousticPlus®

Model Only)

User's Manual

## **INDEX**

3	SPECIFICATIONS
4	HOW TO CHANGE STRINGS
7	ACOUSTICPLUS® SYSTEM
9	WARRANTY
12	RETURN POLICY
13	THANK YOU

## Specifications

---

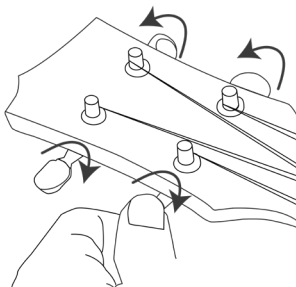
Model	Nova U Mini/ Nova U/ Nova U Pro
Size	Soprano/ Concert/ Tenor
Body Thickness	1-3/4" / 2" / 2"
Weight	0.9 lbs/ 1.25 lbs/ 1.45 lbs
Top	Carbon Fiber Composite Polycarbonate
Back & Sides	Carbon Fiber Composite Polycarbonate
Neck	Carbon Fiber Composite Polycarbonate
Fretboard	Radius (19.6") - Carbon Fiber & Polycarbonate
Finish	Satin
Tuning Pegs	Open Classic
Nut & Saddle	Carbon Fiber Composite Polycarbonate
Nut Width	1 - 3/8" / 1-3/8" / 1-1/2"
Strings	Enya Fluorocarbon (S/C)/ D'Addario®EJ87T(T)
Pickup	AcousticPlus® (Optional)

# HOW TO CHANGE STRINGS

## STEP 1

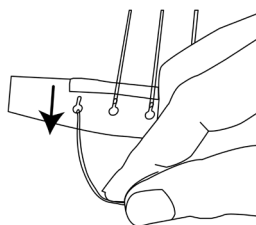
Loose the string by turning the tuning peg.

**Note:** Facing the tuner peg, turn clockwise to loose strings on left side; turn counter-clockwise to loose strings on right side.



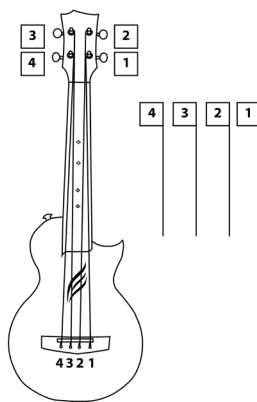
## STEP 2

Remove the string by taking the end knot out of the slot.



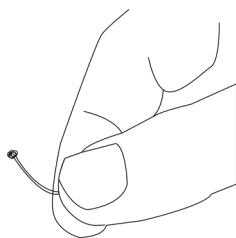
## STEP 3

Get the new strings ready and note the strings.



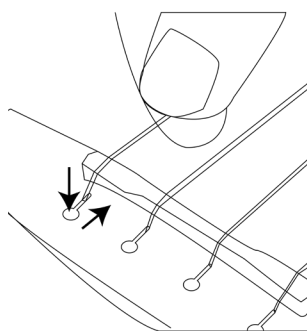
## STEP 4

Make a knot at the end of string, the knot should be strong and big enough to not slip through the bridge.



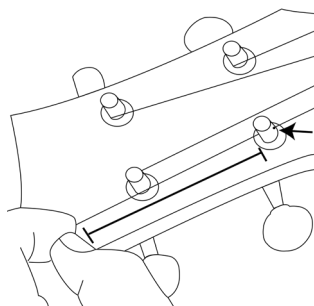
## STEP 5

Insert the string knot into the slot on the bridge.



## STEP 6

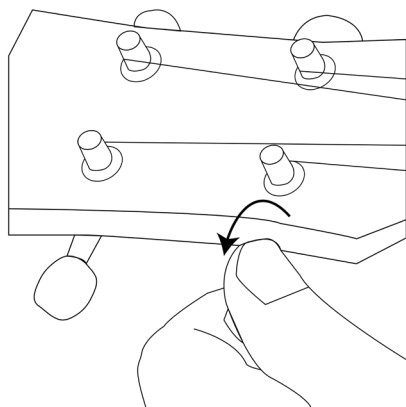
Leave enough slack and cut the rest. Slack length is usually about double peg-to-peg distance.



## STEP 7

Wind the string by turning the tuning peg anti-clockwise.

**Note:** Avoid tightening the string excessively, use a tuner while tuning.

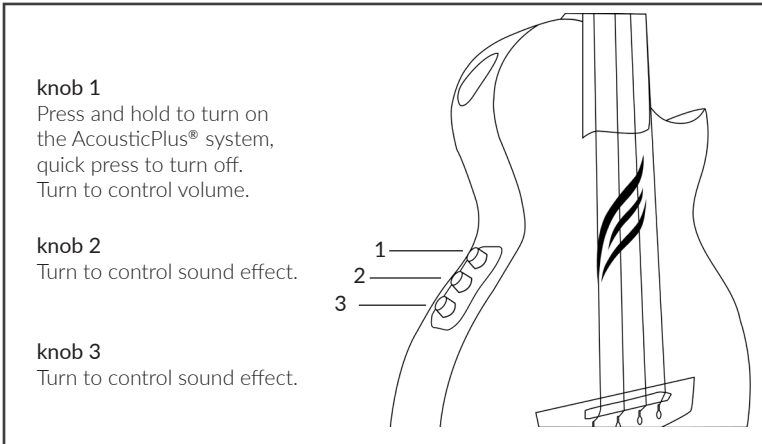


# INSTRUCTION OF ACOUSTICPLUS® SYSTEM

---

Please follow the instructions to explore the AcousticPlus® features if you have purchased the Nova U AcousticPlus® model.

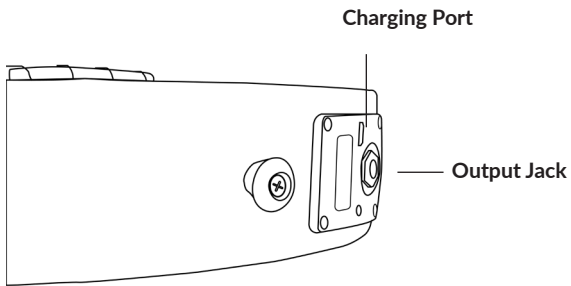
## HOW IT WORKS



The AcousticPlus® uses as a regular acoustic-electric system as well. The output jack locates on the bottom of the ukulele body.

## CHARGING

Please locate the micro USB charging port on the bottom of the ukulele body. Use a regular USB power source to charge the ukulele. Charging light turns into green from red once the battery is fully charged. The battery takes 2 hours to charge to full and provides a use time up to 6 hours.





---

## LIMITED WARRANTY

---

ENYA MUSIC, INC. WARRANTS ITS PRODUCT TO BE FREE FROM DEFECTS IN MATERIALS AND WORKMANSHIP UNDER NORMAL USE FOR A PERIOD OF ONE YEAR FROM THE DATE OF ORIGINAL PURCHASE. DURING THE WARRANTY PERIOD, AND UPON PROOF OF PURCHASE, THE PRODUCT WILL BE REPAIRED OR THE PRODUCT WILL BE REPLACED WITH THE SAME OR SIMILAR MODEL. TO OBTAIN WARRANTY SERVICE, PLEASE TAKE OR SEND THE PRODUCT, WITH A COPY OF YOUR SALES RECEIPT OR OTHER PROOF OF PURCHASE THAT SHOWS THE DATE OF PURCHASE TO ENYA MUSIC, INC. SERVICE LOCATION (AS STATED IN BELOW). THERE WILL BE NO PARTS OR LABOR CHARGE TO YOU. DUE TO THE POSSIBILITY OF DAMAGE OR LOSS DURING SHIPPING, IT IS RECOMMENDED WHEN SENDING THE PRODUCT FOR SERVICE THAT YOU PACKAGE THAT PRODUCT SECURELY AND SEND IT INSURED, RETURN RECEIPT REQUESTED. THE WARRANTY HEREIN EXTENDS ONLY TO THE ORIGINAL PURCHASER AT RETAIL OF A NEW PRODUCT. ENYA RESERVES THE RIGHT TO ASSESS, UPON INSPECTION, THE VALIDITY OF ANY WARRANTY CLAIM.

**AFTER 30 DAYS OF DELIVERY, INTERNATIONAL SHIPPING COSTS FOR REPLACEMENT OR REPAIRS WILL NO LONGER BE COVERED UNDER THE WARRANTY.**

---

THE CUSTOMER SHALL NOT HAVE ANY CLAIM UNDER THIS WARRANTY FOR REPAIR OR ADJUSTMENT EXPENSES IF:

- The product is purchased from anyone other than an authorized product dealer or upon which unauthorized repair or service work has been carried out.
- The problem has been subject to alteration, misuse, accident, or neglect. Normal "wear and tear", including but not limited to any discoloration, fading or damage to the original finish, or worn frets, strings, tuners, hardware and plating.
- Any part of the product has been disassembled.

- The product is normal “wear and tear”, including but not limited to any discoloration, fading or damage to the original finish, or worn frets, strings, tuners, hardware, and plating.
- The product has shipping damages of any kind.
- Damage resulting from exposure to extreme temperatures, humidity, acts of nature, dry climates, or salt air climates. Failure to use a humidifier on the product will void your warranty if any cracking occurs. Warranty claims may not be considered if a quality humidifier is not used with your product while it is stored in its case or bag. When the instrument is not in its case or bag for more than two days we recommend, it is stored in a room with a relative humidity of 40-60% with its humidifier correctly installed inside the instrument.
- The product is exposed to heating or cooling sources that cause damage to the instrument.
- Personal opinions relating to the sound and tone of the instrument.
- Maintenance requested consists of repair or replacement of options, accessories or consumables.
- Appearance defects notified later than 7 days after receiving the products.
- The warranty period has expired.

**THE WARRANTY DOES NOT COVER THE FREE ACCESSORIES INCLUDING INSTRUMENT CASE, TUNER, CAPO, STRINGS, SAND SHAKER, PICKS AND POLISH CLOTH.**

Any recovery is limited to the original purchase price. No other person is authorized to modify this limited warranty. This warranty gives you specific legal rights, and you may have other rights that vary by state and jurisdiction. These rights shall not be affected by this limited warranty. This warranty cannot be transferred or assigned.

After the warranty period, the customer can send the defective products to the service location with postage paid. Enya Music, Inc. will repair the defective products, the cost of repairing is on the customer. The amount of repair cost is case by case. Enya Music, Inc. will notify the customer of the amount of the fixing fee.

NEITHER THIS WARRANTY NOR ANY OTHER WARRANTY OR GUARANTEE, EXPRESS OR IMPLIED STATUTORY OR OTHERWISE, INCLUDING ANY IMPLIED WARRANTY OR CONDITION OF MERCHANTABILITY OR OF FITNESS FOR A PARTICULAR PURPOSE, SHALL EXTEND BEYOND THE WARRANTY PERIOD. NO RESPONSIBILITY IS ASSUMED FOR ANY INCIDENTAL OR CONSEQUENTIAL DAMAGES, INCLUDING, WITHOUT LIMITATION, DAMAGES RESULTING FROM INACCURACY OR MATHEMATICAL INACCURACY OF THE PRODUCT OR LOSS OF STORED DATA.

Please put your defective products in a proper box and ship it to our service location.

**To obtain service, please activate warranty here:**

**<https://www.enya-music.com/pages/warranty>**

© 2023 Enya Music, Inc. All Rights Reserved.

Enya Music, Inc. service location:

6132 Westline Dr, Houston, TX 77036 USA.

## RETURN POLICY

**TO RETURN YOUR PRODUCT, PLEASE CONTACT US AT SERVICE@ENYA-MUSIC.COM TO REQUIRE THE RMA NUMBER AND PREPAID SHIPPING LABEL. ALL ORDERS CAN BE RETURNED WITHIN 30 DAYS OF THE PURCHASE.**

Customers are responsible for return shipping on returned items unless the item was damaged during shipping or not received as described. If 30 days have gone by since your purchase, unfortunately, we cannot offer you a refund or exchange. Unsolicited returns to enya-music.com or any of its authorized dealers will not be accepted.

To be eligible for a return and refund, items must be returned in original, as-shipped condition with all original packaging and no signs of use. All returned items must include all original packaging and accessories. Returned items not adhering to this policy may be subject to a 20% restocking/handling fee. The paid shipping fee is not refundable unless the item was damaged during shipping or not received as described.

Once your return is received and inspected, we will send you an email to notify you that we have received your returned item. We will also notify you of the approval or rejection of your refund. If it is approved, then your refund will be processed, and a credit will automatically be applied to your credit card or original method of payment, within three business days.

Proof of purchase is required to verify eligibility.

© 2023 Enya Music, Inc. All Rights Reserved.

Enya Music, Inc.

6132 Westline Dr

Houston, TX 77036 USA

**THANK YOU FOR CHOOSING  
ENYA INSTRUMENT.**

FOR THE LOVE OF MUSIC

If you have any questions, please feel free to contact us.

[service@enya-music.com](mailto:service@enya-music.com)

## ENYA MUSIC ( CHINA )

Qiuchang, Huiyang,

Huizhou, Guangdong 516221

[www.enyamusical.com](http://www.enyamusical.com)

## ENYA MUSIC INC. ( USA )

6132 Westline Dr,

Houston, TX 77036

[www.anya-music.com](http://www.anya-music.com)



@Enyamusic  
@Enyamusicusa



@Enyamusic\_global  
@Enyamusicusa



@Enyamusic  
@Enyamusicusa