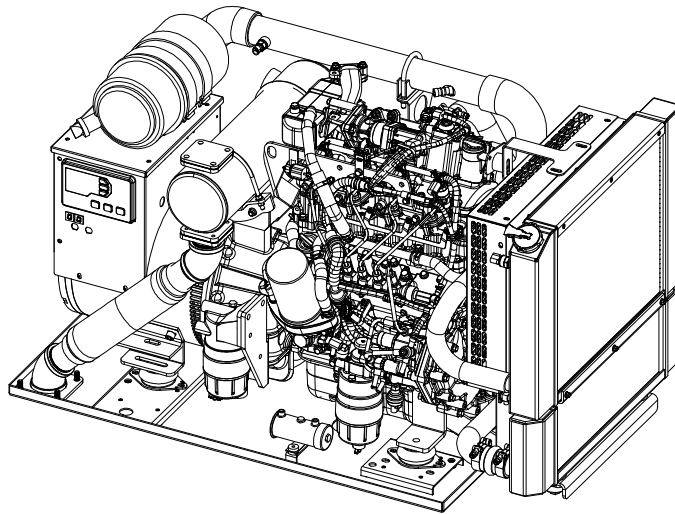




# Parts List

## PTI-25-T4F



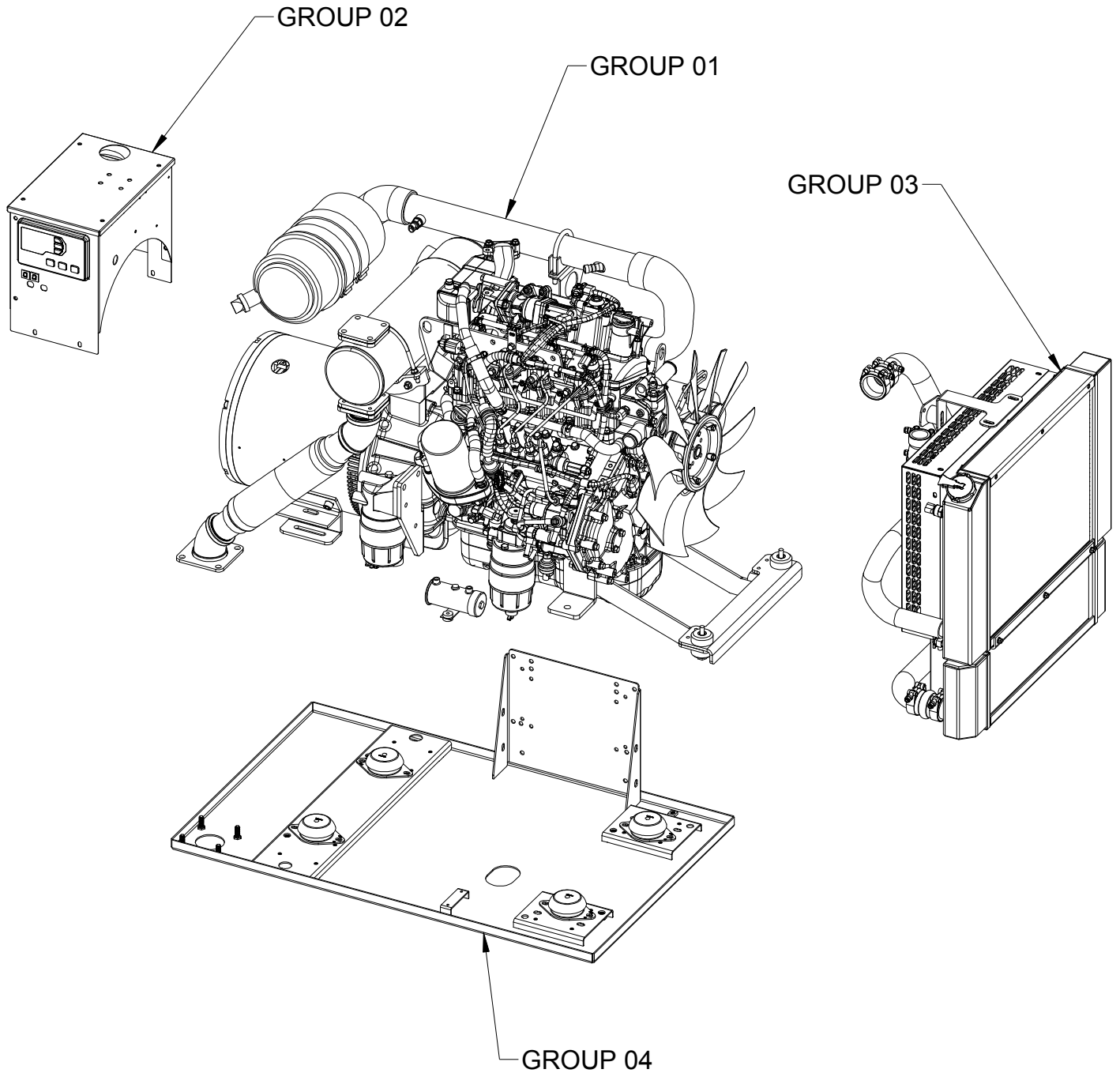
Power Technology Southeast  
634 SR 44 W  
Leesburg, FL 34748  
800-760-0027  
Fax: 352-787-5545  
[www.powertech-gen.com](http://www.powertech-gen.com)

We recommend that you contact an authorized Power Technology S.E. dealer for all maintenance and repairs of the generator. If you perform any maintenance or repairs, first disconnect the battery and/or lock out the ignition to prevent unintentional start-up. Unintentional start-up can result in serious injury and/or death.

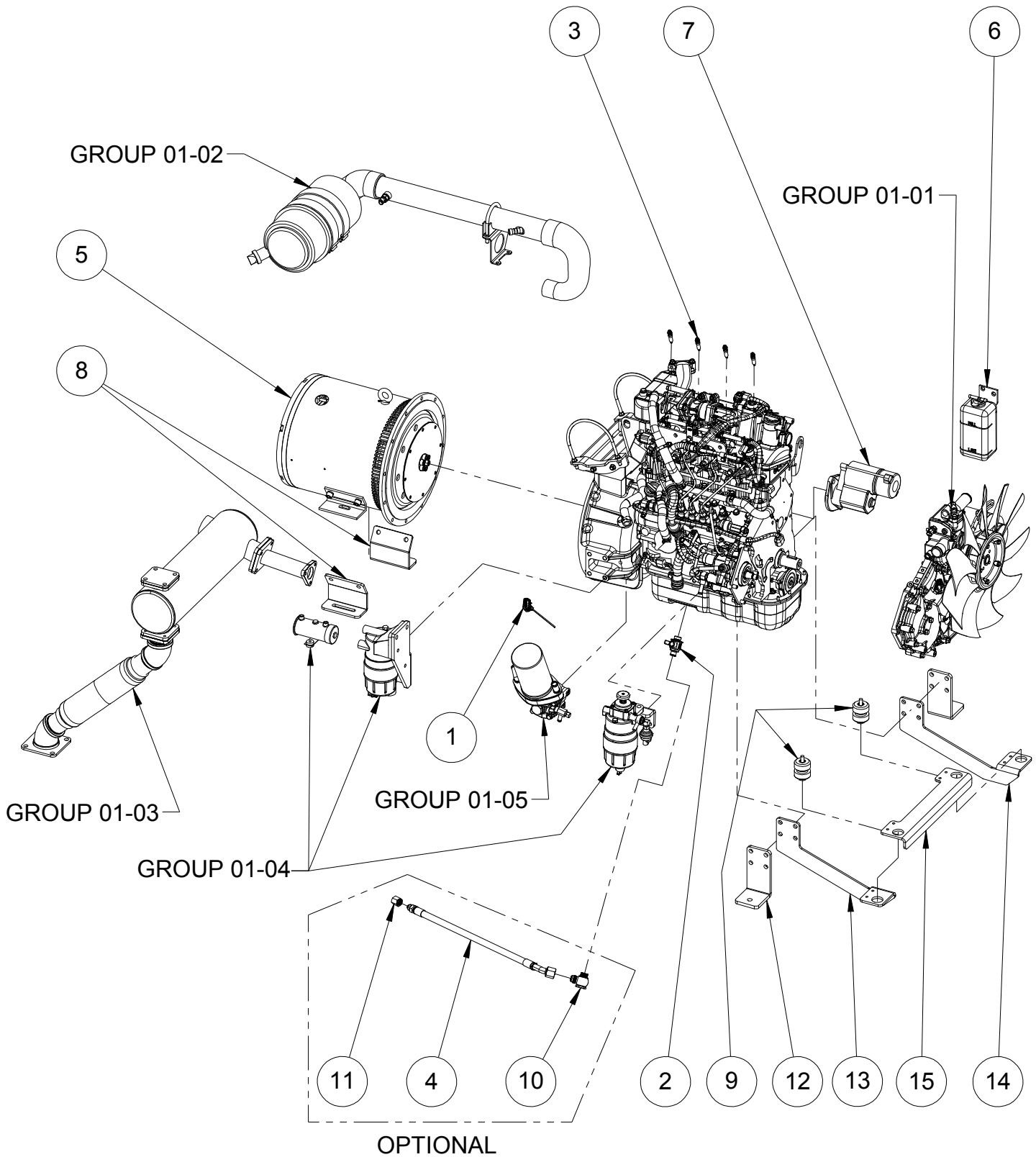
Use only Power Technology parts. Other parts may not perform as well, may damage the generator set, and may result in injury. In addition, use of other parts may void your warranty.

This parts list was current at the time of printing. Production changes and installed options may result in changes that are not covered in this parts list. Production units and associated parts are subject to change without notice. For the most up to date parts information, please contact the factory with the Power Tech model number and serial number.

# Group 00 (Complete Generator)



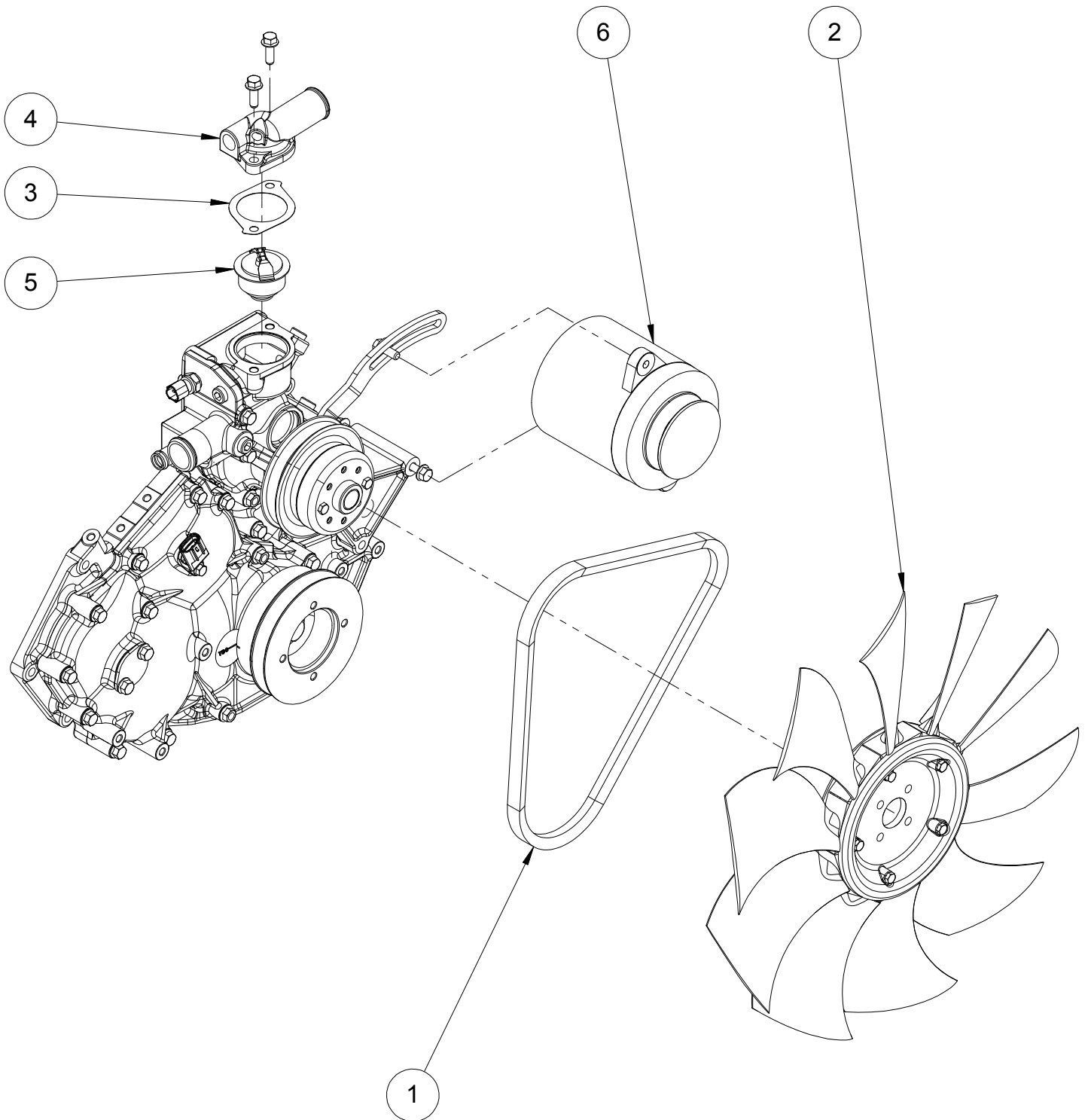
# Group 01 (Engine & Generator)



## Group 01 BOM (Engine & Gen)

ITEM	PART NUMBER	DESCRIPTION	QTY.
1	01DS4LEX	DIPSTICK, ISUZU, 4LEV05/4LE2X	1
2	01FEZ3H	VALVE, DRAIN, OIL, 20MMX1.5	1
3	01GP4LEV05	GLOWPLUG, ISUZU, 4LEV05/4LE2X	4
4	01OD4LE2	HOSE ASSY, DRAIN, OIL, 4LE2, 24"	1
5	02GEN1CB25	GENERATOR, C-TYPE, 25KW, 1 PHASE, SAE4/7.5, 4WIRE	1
6	03WBKIT	KIT, BOTTLE, WATER RECOVERY, KUBOTA	1
7	05STR4LEV05	STARTER, ISUZU, 4LEV05, 12V	1
8	09FTC2025	FOOT, MOUNTING, GENERATOR	2
9	09MNT22002-13	MOUNT, ISOLATOR, RADIATOR, ROUND	2
10	AB20M1.5	ADAPTOR, BANJO, 20mm X 1.5, -10 AN	1
11	C8J	CAP, JIC, 8	1
12	S-2197	FOOT, MOUNTING, ENGINE	2
13	S-2219	BRACKET, RAD, RIGHT	1
14	S-2220	BRACKET, RAD, LEFT	1
15	S-2221	BRACKET, RAD, FRONT	1

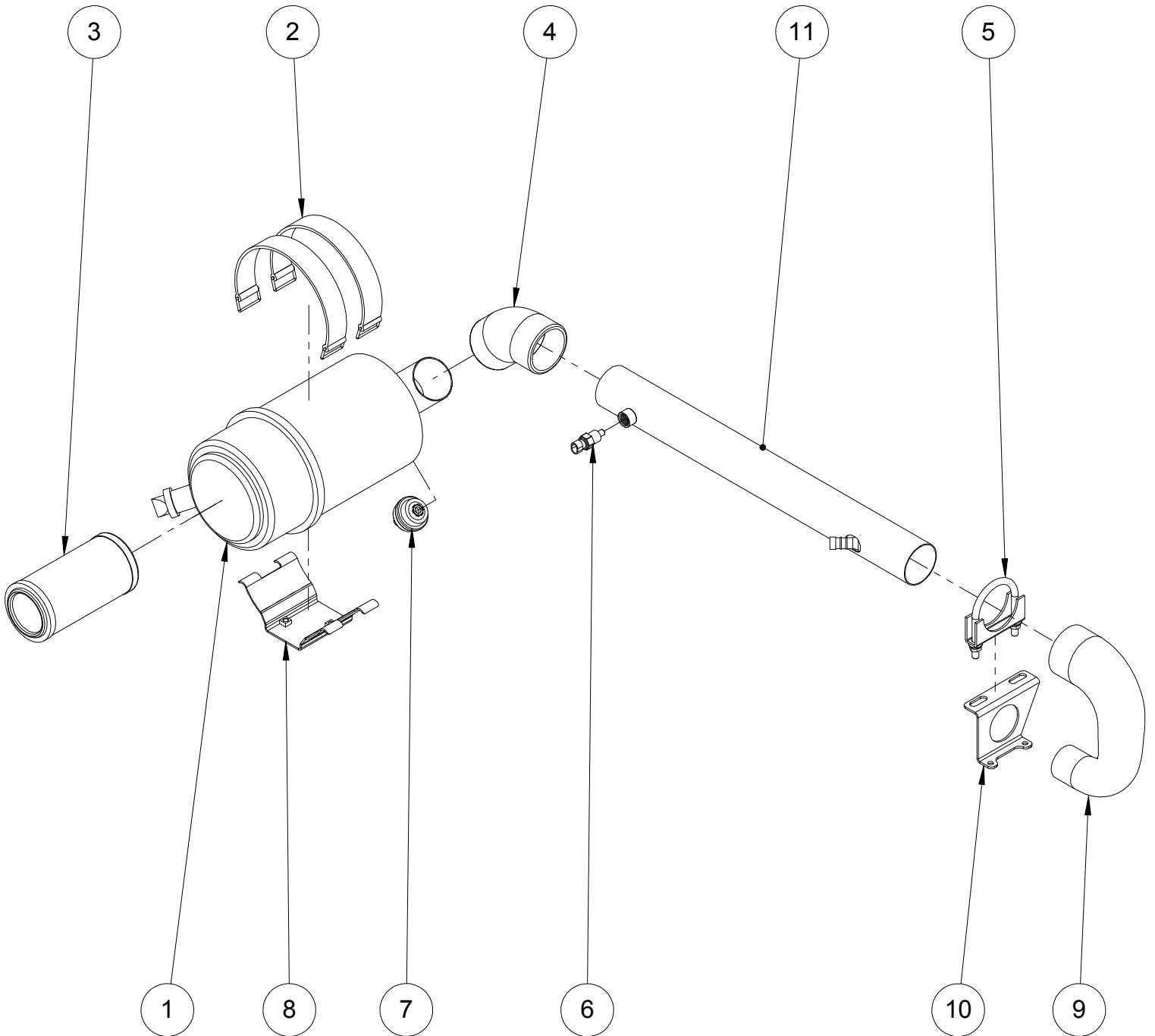
## Group 01-01 (Engine Front)



## **Group 01-01 BOM (Engine Front)**

<b>ITEM</b>	<b>PART NUMBER</b>	<b>DESCRIPTION</b>	<b>QTY.</b>
1	03BF4LEV05	BELT, DRIVE, FAN/ALT, ISUZU, 4LEV05/4LE2X	1
2	03FANPH4LE2X-30	FAN, PUSHER, ISUZU, 4LE2, 18.25" MW	1
3	03GKT4LEV05THM	GASKET, HOUSING, THERMOSTAT, ISUZU, 4LE05/4LE2X	1
4	03H4LEV05	HOUSING, THERMOSTAT, ISUZU, 4LEV05, 90°	1
5	03THM4LEV05	THERMOSTAT, ISUZU, 4LEV05/4LE2X	1
6	05ALT4LEV05	ALTERNATOR, ISUZU, 4LEV05/4LE2X	1

## Group 01-02 (Intake)

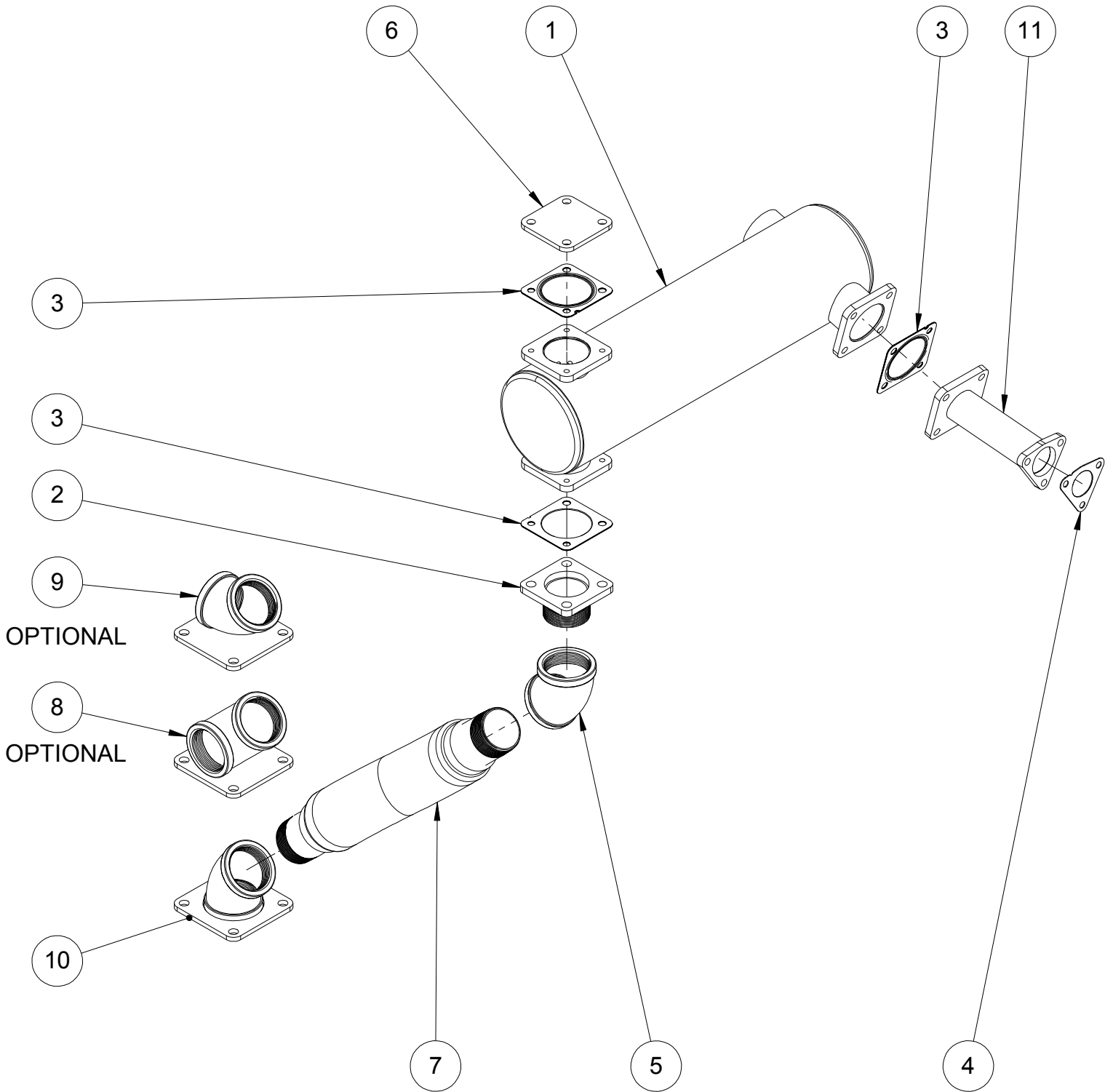




## Group 01-02 BOM (Intake)

ITEM	PART NUMBER	DESCRIPTION	QTY.
1	04AC2FW-90	HOUSING, FILTER, AIR, 2 1/2", 90°	1
2	04ACSTRAP	STRAP, FILTER, AIR	2
3	04FA2768	ELEMENT, FILTER, AIR, 04AC2FW-90	1
4	04HSAL212X45	HOSE, INTAKE, 2-1/2",45°	1
5	04MCS212	CLAMP, MUFFLER, 2-1/2", SS	1
6	04SA4LEV05	SENSOR, INTAKE, 4LEV05	1
7	05SA22	SWITCH, RESTRICTION, AIR, 22"H2O	1
8	09BRKAC SAD	BRACKET, FILTER, AIR, SADDLE	1
9	S-2253	HOSE, FORMED, INTAKE, 1-1/2" TO 2-1/2", 180°	1
10	S-2610	BRACKET, PIPE, INTAKE, 4LE	1
11	SA-1243	PIPE ASSEMBLY, INTAKE, 2-1/2" X 24", 4LE2T	1

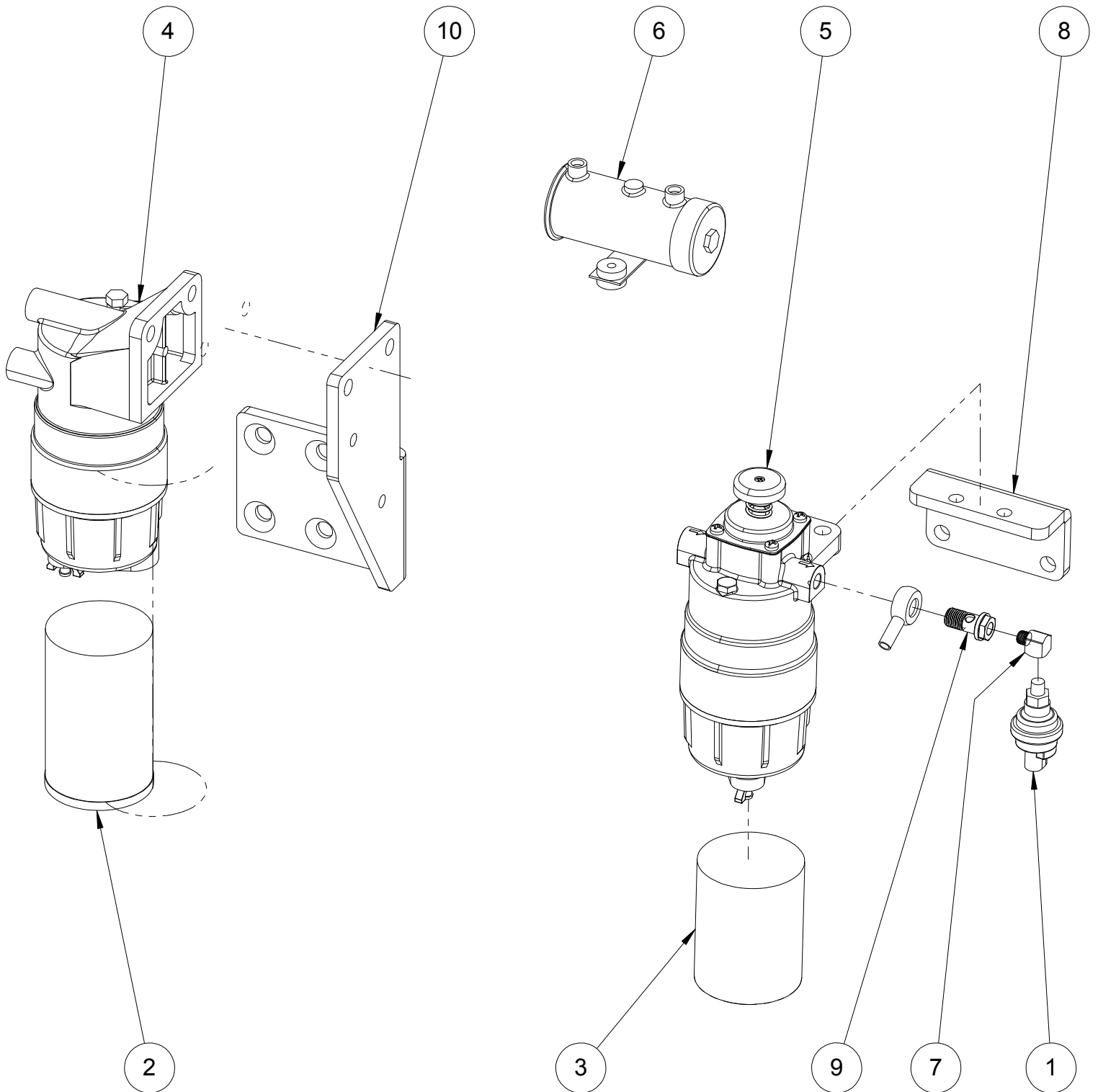
# Group 01-03 (Exhaust)



## Group 01-03 BOM (Exhaust)

ITEM	PART NUMBER	DESCRIPTION	QTY.
1	04DOC4LE-DOWN	DOC, 4LE2T/X, DOWNWARD EXIT	1
2	04EXFL3300	FLANGE ASSY, EXH, 4 BOLT, 2" NPTM	1
3	04GKT4LEDOC	GASKET, DOC, ISUZU, 4LE2	3
4	04GKT4LETURBO	GASKET, TURBO, ISUZU, 4LE2	1
5	BP2X45L	ELBOW, 45°, 2"	1
6	S-2249	PLATE, BLOCK OFF, DOC, ISUZU	1
7	SA-1260	FLEXPipe ASSY, BRAIDED, 2" NPT X 16.5", M X M	1
8	SA-1261	FLANGE ASSY, EXHAUST, 2" NPT, SIDE OUT	1
9	SA-1262	FLANGE ASSY, EXHAUST, 2" NPT, END OUT	1
10	SA-1263	FLANGE ASSY, EXHAUST, 2" NPT, BOTTOM OUT	1
11	SA-1353	PIPE ASSEMBLY, TURBO TO DOC, 4LE2	1

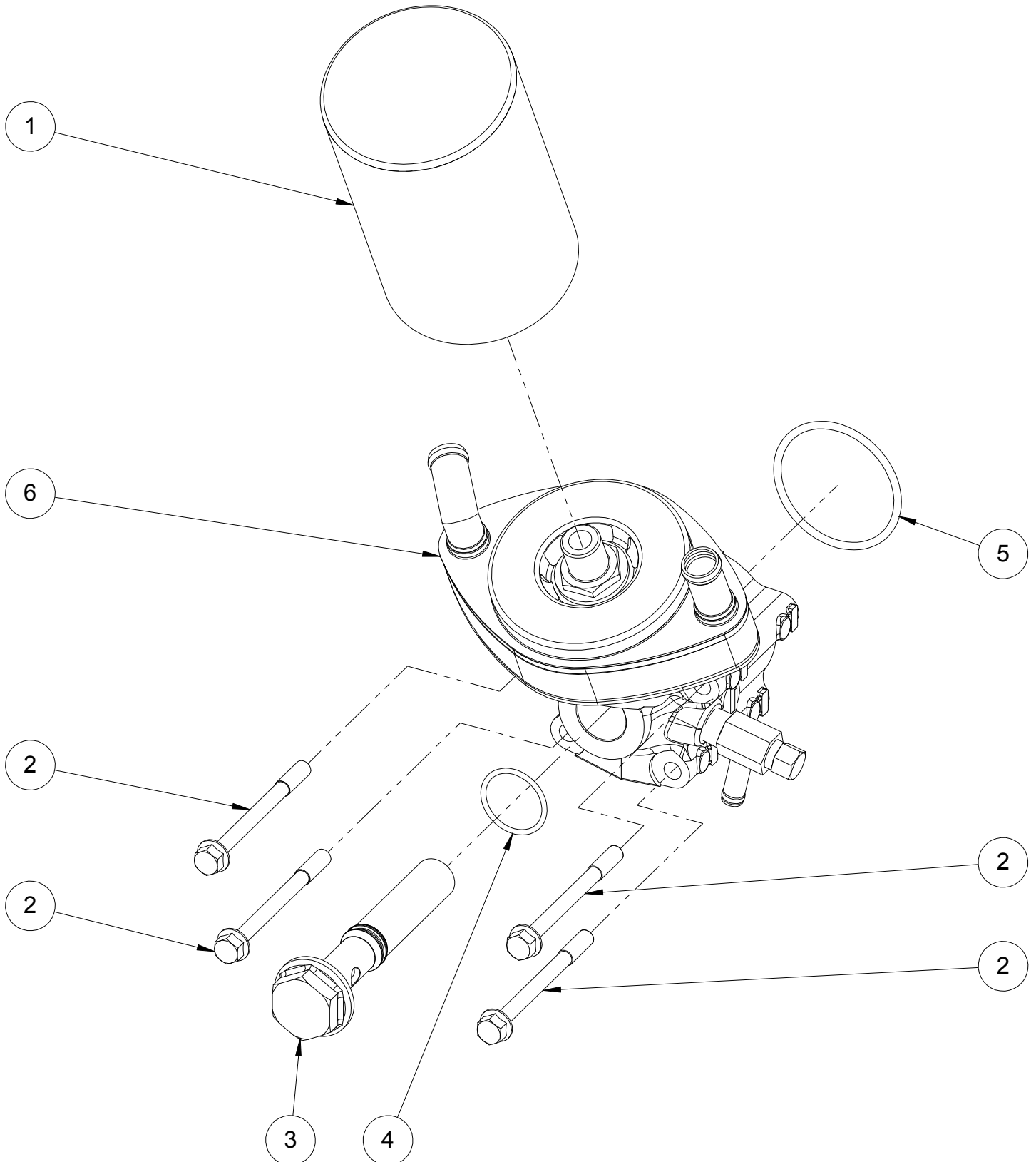
# Group 01-04 (Fuel)



## Group 01-04 BOM (Fuel)

ITEM	PART NUMBER	DESCRIPTION	QTY.
1	05SF30	SWITCH, RESTRICTION, FUEL, 30 KPA	1
2	08FF4LE-P	ELEMENT, FILTER, FUEL, PRE, 4LE2T/2X	1
3	08FF4LE-S	ELEMENT, FILTER, FUEL, SECONDARY, 4LE2T/2X	1
4	08FF4LEP	FILTER, FUEL, PRE, 4LE2T/2X	1
5	08FF4LES	FILTER, FUEL, SECONDARY, 4LE2T/2X	1
6	08PE4LE	PUMP, FUEL, ELECTRIC, 12V, 4LE	1
7	BR3400x2	ELBOW, 90°, STREET, BRASS, 1/8"	1
8	S-2192	BRACKET, FILTER, FUEL, SECONDARY	1
9	S-2612	FITTING, BANJO, M14, 1/8" NPT TAP	1
10	S-2639	BRACKET, FILTER, FUEL, 4LE2X	1

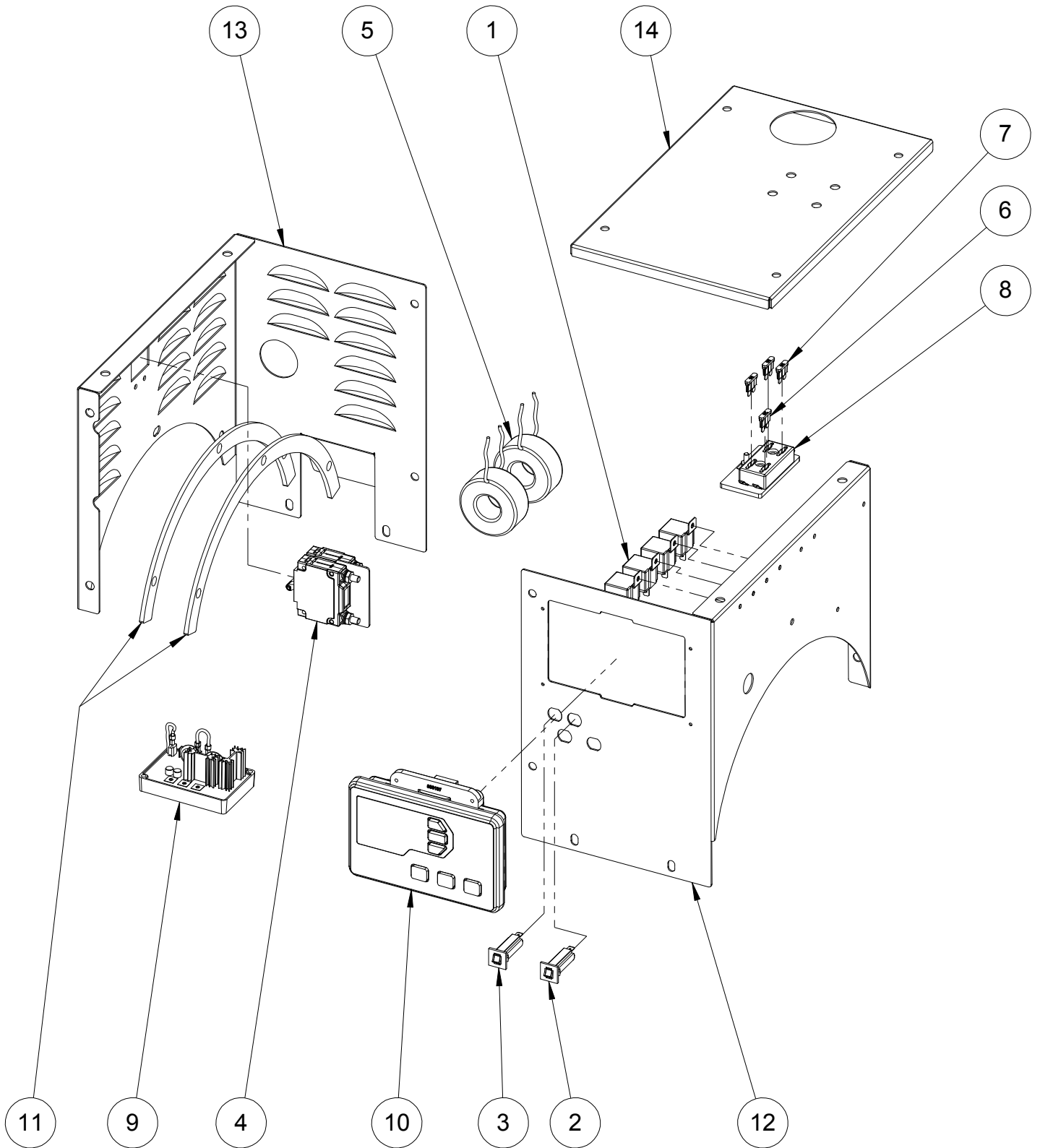
## Group 01-05 (Oil Cooler)



## **Group 01-05 BOM (Oil Cooler)**

<b>ITEM</b>	<b>PART NUMBER</b>	<b>DESCRIPTION</b>	<b>QTY.</b>
1	01FO4LEX	FILTER, OIL, ISUZU, 4LEX	1
2	014LEBOC	BOLT, EXTERIOR, COOLER, OIL, 4LEX	4
3	014LECB	BOLT, CENTER, COOLER, OIL, 4LEX	1
4	014LEGCB	O-RING, BOLT, CENTER, COOLER, OIL, 4LEX	1
5	014LEGOC	GASKET, COOLER, OIL, 4LEX, OUTER	1
6	014LEOC	COOLER, OIL, 4LEX	1

## Group 02 (Control Panel)

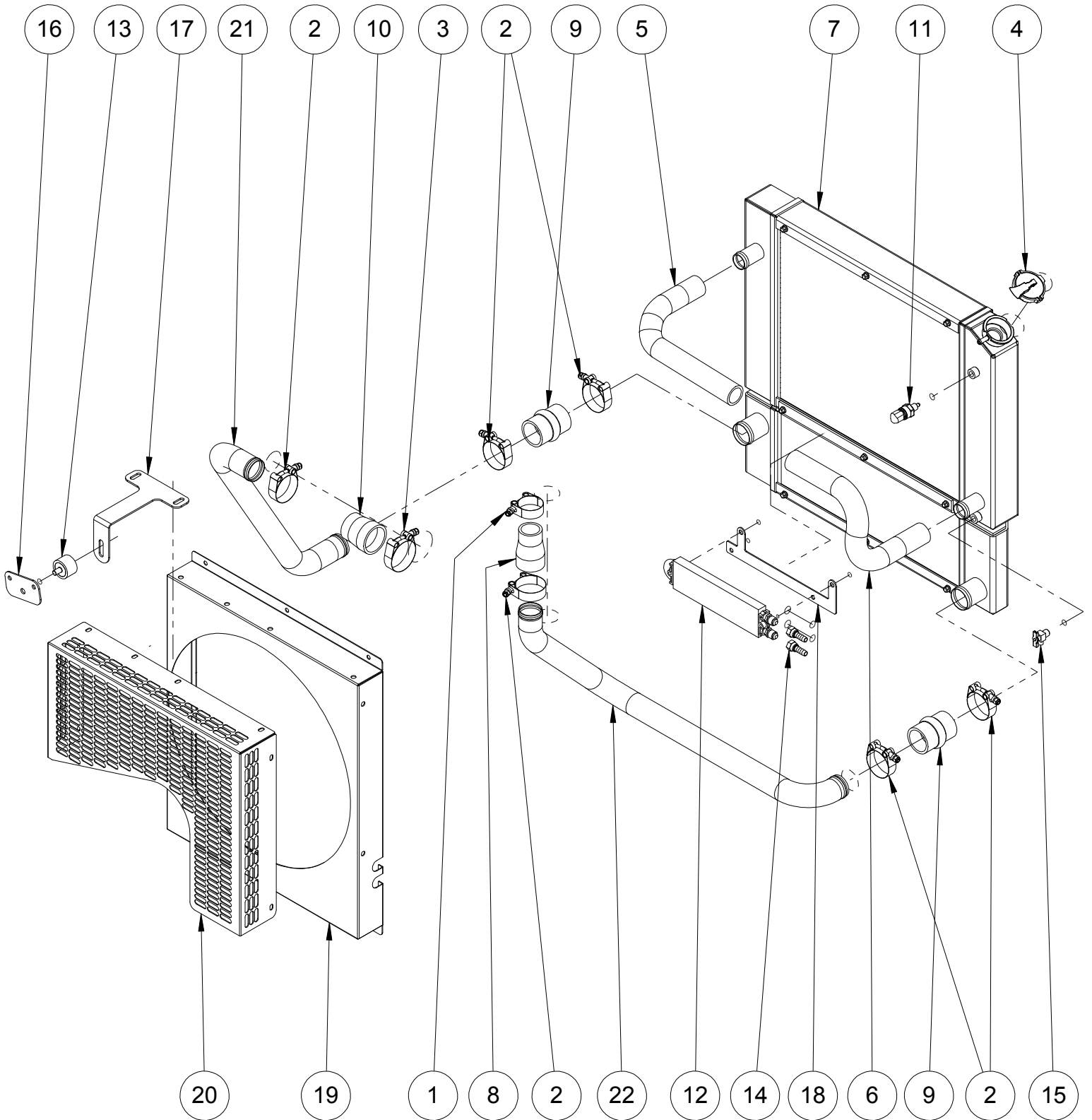




## Group 02 BOM (Control Panel)

ITEM	PART NUMBER	DESCRIPTION	QTY.
1	05RLYD	RELAY, CUBE, 12 VOLT, DIODE	4
2	06BR4A-RESEW28	BREAKER,4A,RESET,ROCKER	1
3	06BR5A-RESEW28	BREAKER, 5A, RESET, ROCKER	1
4	06BR100A2PCA	BREAKER, 100AMP, 2P, CA	1
5	06CT1005	TRANSFORMER, CURRENT, 100:5	2
6	06FB20	FUSE, BLADE, 20 AMP	1
7	06FB30	FUSE, BLADE, 30 AMP	3
8	06FP4	PANEL, FUSE, BLADE, 4 POLE	1
9	06REG634AVC	REGULATOR, BASLER, 63-4 AVC	1
10	07TG410	CONTROLLER, ELECTRONIC, PTG410	1
11	S-2055	SPACER,CONTROL BOX	2
12	S-2318	PANEL,CONTROL BOX,FRONT	1
13	S-2319	PANEL,CONTROL BOX,BACK	1
14	S-2320	PANEL,CONTROL BOX,TOP	1
-	07HRN4LEC	HARNESS, CONTROL, ELECTRONIC ENGINE, 4LE	1
-	07HRNE4LE	HARNESS, ENGINE, 4LE	1
-	07LACTG	PIGTAIL, SENSING, AG, TG SERIES	1

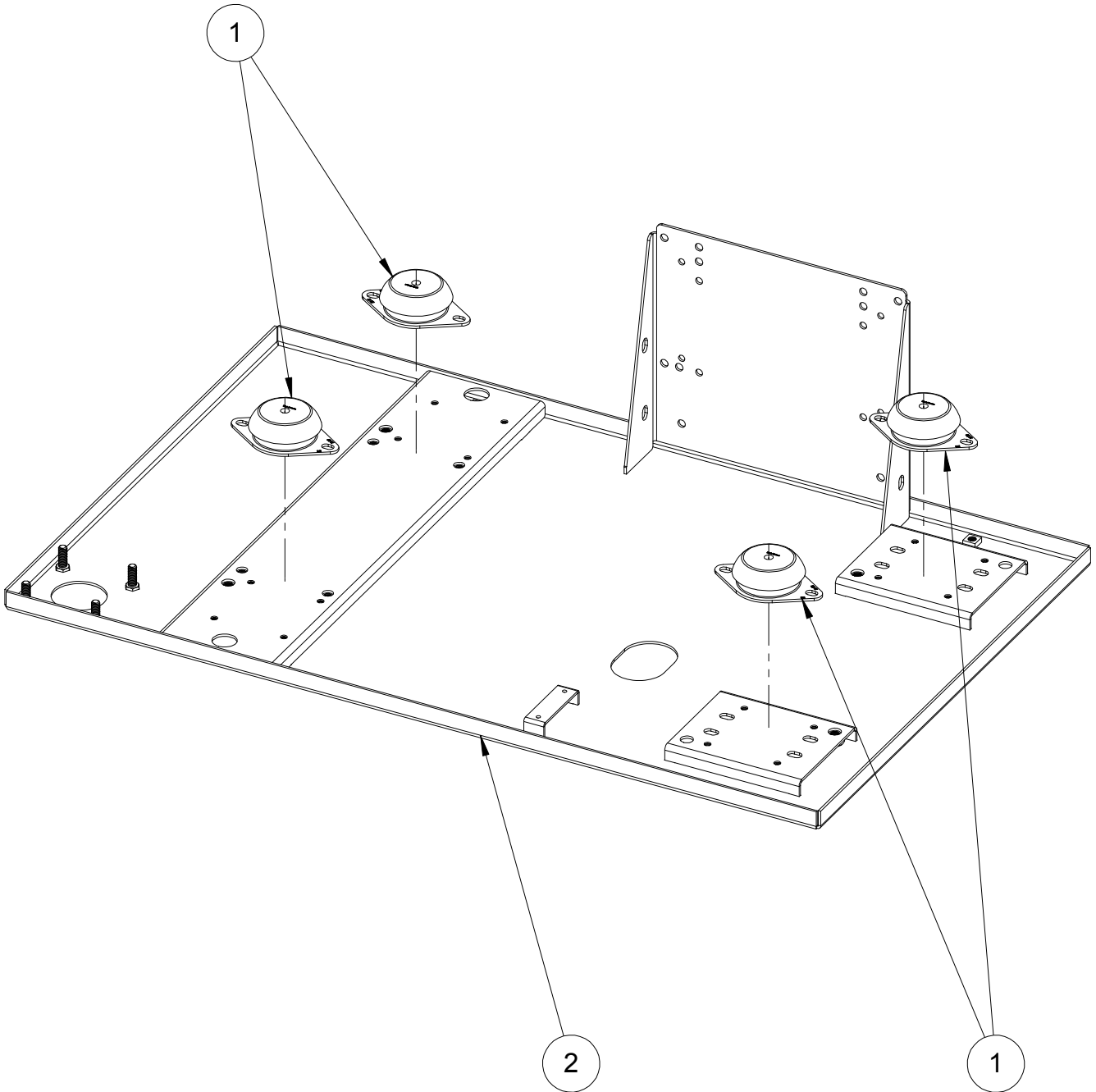
# Group 03 (Radiator)



## Group 03 BOM (Radiator)

ITEM	PART NUMBER	DESCRIPTION	QTY.
1	01CPT188	CLAMP, T-BOLT, 1.875	1
2	01CPT212	CLAMP, T-BOLT, 2.12	6
3	01CPT238	CLAMP, T-BOLT, 2.38	1
4	03CSP13	CAP, RADIATOR, 13#, RELEASE	1
5	03HS0203U	HOSE, RADIATOR, UPPER	1
6	03HSL4LEX	HOSE, RADIATOR, LOWER, ISUZU, 4LE2X, 540	1
7	03RAD540	RADIATOR, 540, CAC, 4LE2X, T4F	1
8	04HSA097	HOSE, INTAKE, AIR, REDUCER 1-3/4 X 1-3/8	1
9	04HSA428	HOSE, INTAKE, AIR, 1-3/4" X 2" LG	2
10	04HSA504	HOSE, INTAKE, AIR, REDUCER 2 X 1-3/4	1
11	05S240655	SENSOR, LWCO	1
12	08FC4130	COOLER, FUEL, 4LE	1
13	09MNTIS38H	ISOLATOR,RUBBER,3/8" STUD	1
14	BR38HX6JIC	BARB, HOSE, BRASS, 3/8 X 6 JIC	2
15	BR6660	DRAIN COCK, 90°, 1/4", BRASS	1
16	S-1538	PLATE, BRACE, RADIATOR	1
17	S-1539	BRACE, RADIATOR, "T"	1
18	S-2150	BRACKET,FUEL COOLER	1
19	S-2223	SHROUD,FAN,4LE2X, 25KW	1
20	S-2224	GUARD,FAN,4LE2X, 25KW	1
21	S-2314	PIPE, INTAKE, 1-3/4", CAC TO ENG IN	1
22	S-2315	PIPE, INTAKE, 1-3/4",ENG OUT TO CAC	1
-	07HRNSLW	LEAD, SWITCH, LOW WATER	1

## Group 04 (Base Pan)



## **Group 04 BOM (Base Pan)**

<b>ITEM</b>	<b>PART NUMBER</b>	<b>DESCRIPTION</b>	<b>QTY.</b>
1	09MNT50	MOUNT, ENGINE, 50	4
2	SA-1037	BASE ASSEMBLY, PAN	1