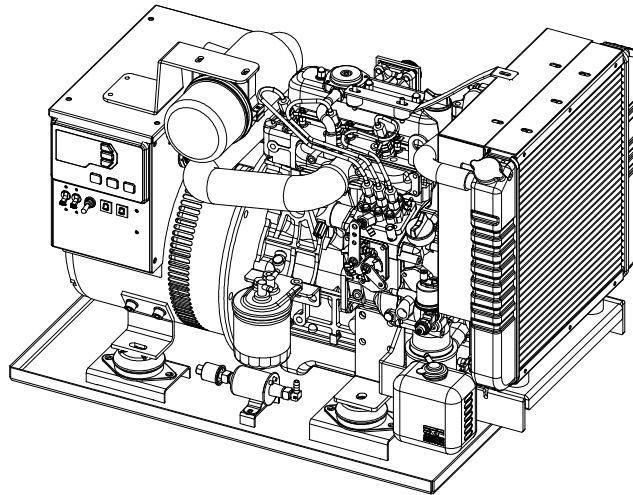




Parts List

PT-8000 (Rev A)



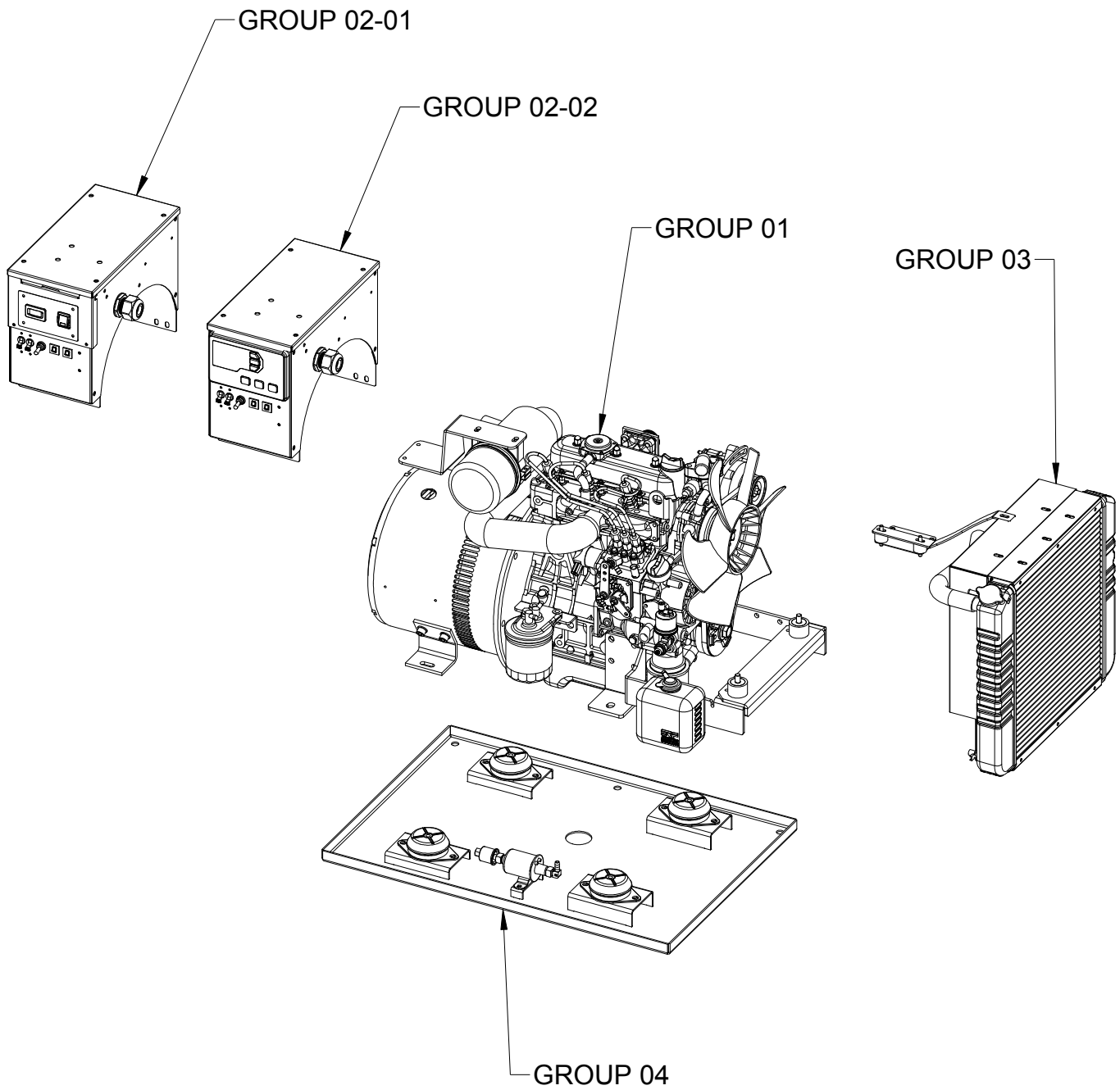
Power Technology Southeast
634 SR 44 W
Leesburg, FL 34748
Phone: 800-760-0027
Fax: 352-787-5545
www.powertechparts.com

We recommend that you contact an authorized Power Technology S.E. dealer for all maintenance and repairs of the generator. If you perform any maintenance or repairs, first disconnect the battery and/or lock out the ignition to prevent unintentional start-up. Unintentional start-up can result in serious injury and/or death.

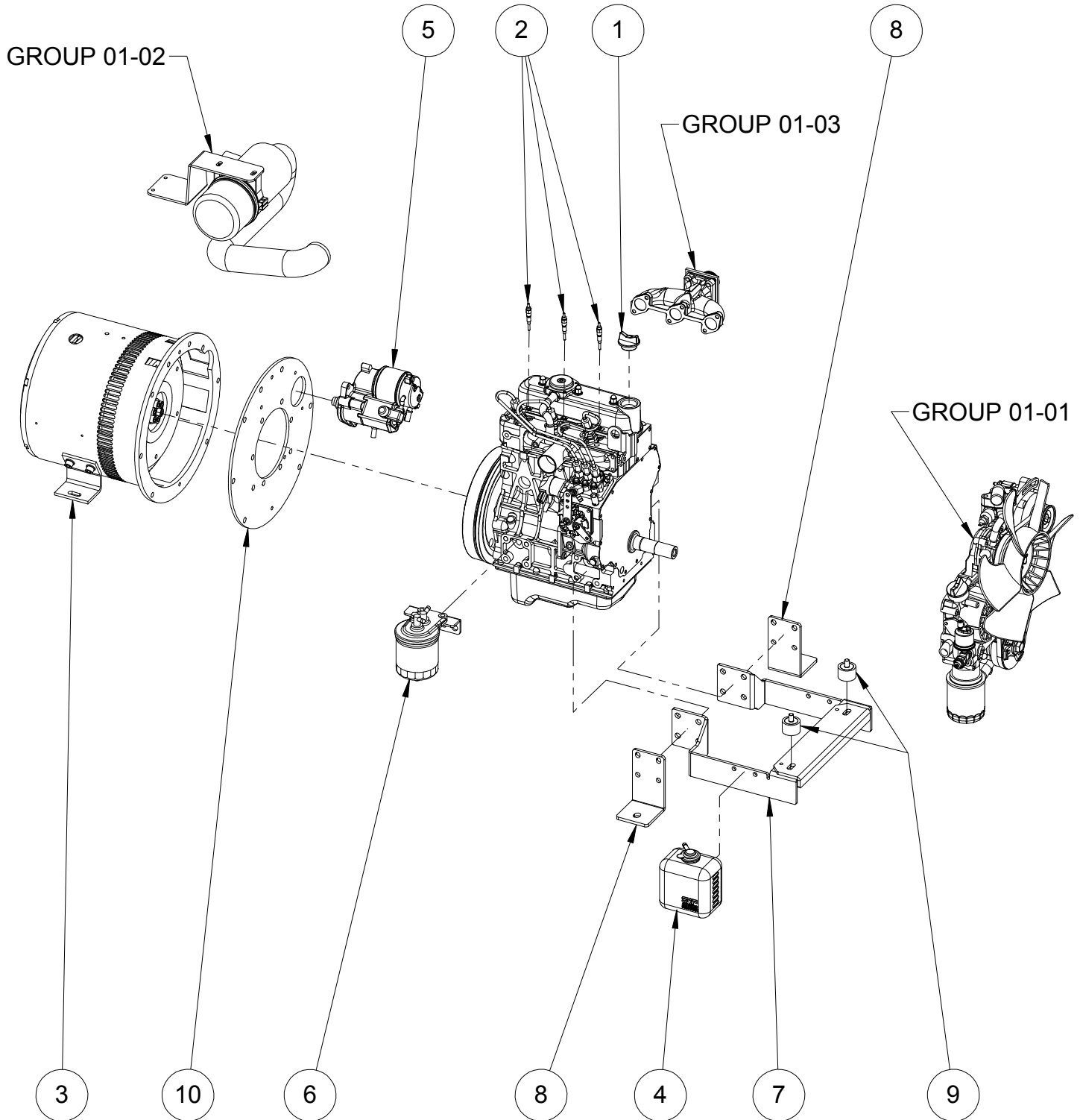
Use only Power Technology parts. Other parts may not perform as well, may damage the generator set, and may result in injury. In addition, use of other parts may void your warranty.

This parts list was current at the time of printing. Production changes and installed options may result in changes that are not covered in this parts list. Production units and associated parts are subject to change without notice. For the most up to date parts information, please contact the factory with the Power Tech model number and serial number.

Group 00 (Complete Generator)



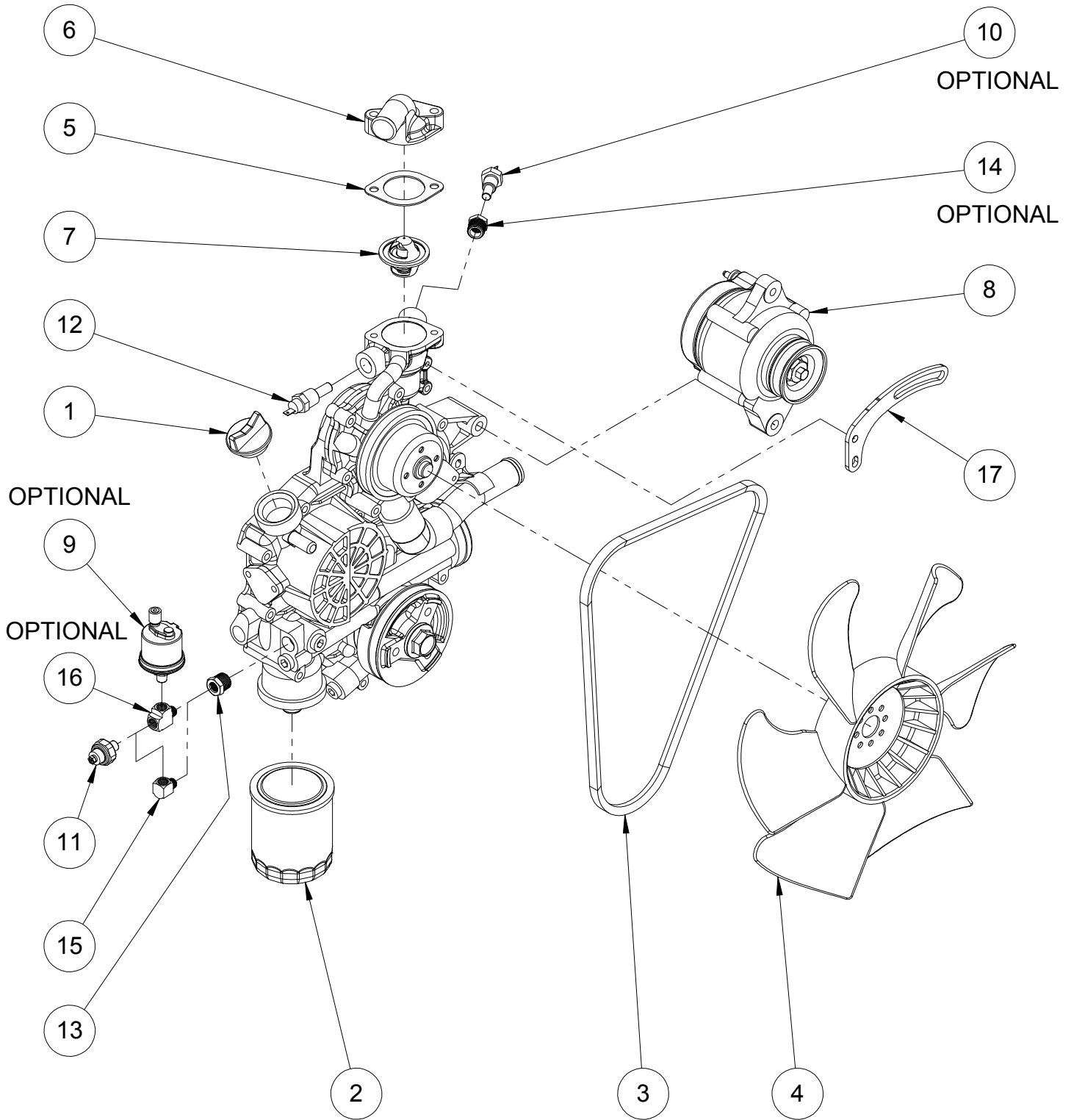
Group 01 (Engine & Generator)



Group 01 BOM (Engine)

ITEM	PART NUMBER	DESCRIPTION	QTY.
1	01FILLCAP	CAP,OIL FILL,KUBOTA	1
2	01GP905NS	GLOW PLUG,KUBOTA,D1105	3
3	02GEN8CE	GENERATOR, C-TYPE, 8KW, 1 PHASE, C-TYPE, CE8 B1	1
4	03WBKITU	BOTTLE, RECOVERY, COOLANT, WITH BRACKET	1
5	05STR1505	STARTER,KUBOTA,1105-1505	1
6	08FFD04	FILTER,FUEL,KUB KIT,BASE & FILTER	1
7	09BRK05BG650	BRACKET,RADIATOR,05,650	1
8	09FTKSI-8	FOOT, 05, 5-1/4"	2
9	09MNTIS38H	ISOLATOR,RUBBER,3/8" STUD	2
10	09PLT-C812	PLATE, GEN/ENG, KUB, CE8 & CE12	1

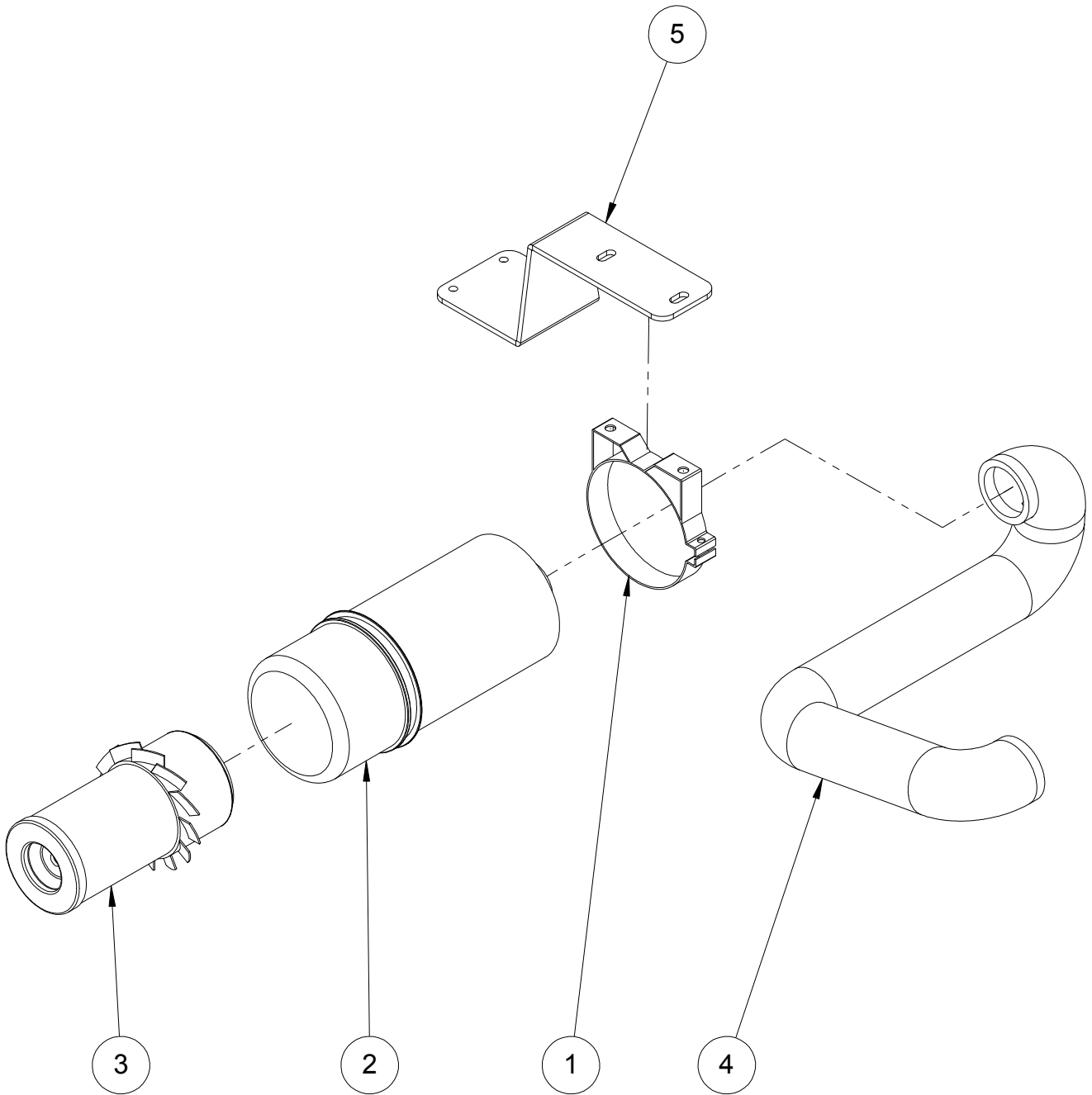
Group 01-01 (Engine Front)



Group 01-01 BOM (Engine Front)

ITEM	PART NUMBER	DESCRIPTION	QTY.
1	01FILLCAP	CAP,OIL FILL,KUBOTA	1
2	01FO05S	FILTER,OIL,05,KUBOTA	1
3	03BF7370	BELT,FAN,05,ALTERNATOR	1
4	03FANPH1505	FAN, ENGINE, PUSH, 14", KUBOTA	1
5	03GKT0203THM	GASKET,THERMOSTAT,KUBOTA,0203	1
6	03H05THM	HOUSING,THERMOSTAT,90°,KUBOTA,05	1
7	03THM0305NEW	THERMOSTAT,KUBOTA,0305	1
8	05ALT05	ALTERNATOR,30A,KUBOTA	1
9	05SNDO105	SENDER,PRESSURE,OIL,VDO	1
10	05SNDT118	SENDER,TEMPERATURE,VDO	1
11	05SOKUB1P	SWITCH,PRESSURE,OIL,1 POLE,KUBOTA	1
12	05STKUB1P	SWITCH, TEMPERATURE, 05	1
13	BR3220X6X2	BUSHING, 3/8" X 1/8", BRASS	1
14	BR3220X6X4	BUSHING, 3/8" X 1/4", BRASS	1
15	BR3400x2	ELBOW, 90°, STREET, BRASS, 1/8"	1
16	BR3750X2	TEE,RUN,BRASS,1/8	1
17	S-1644	BRACKET, ALTERNATOR	1

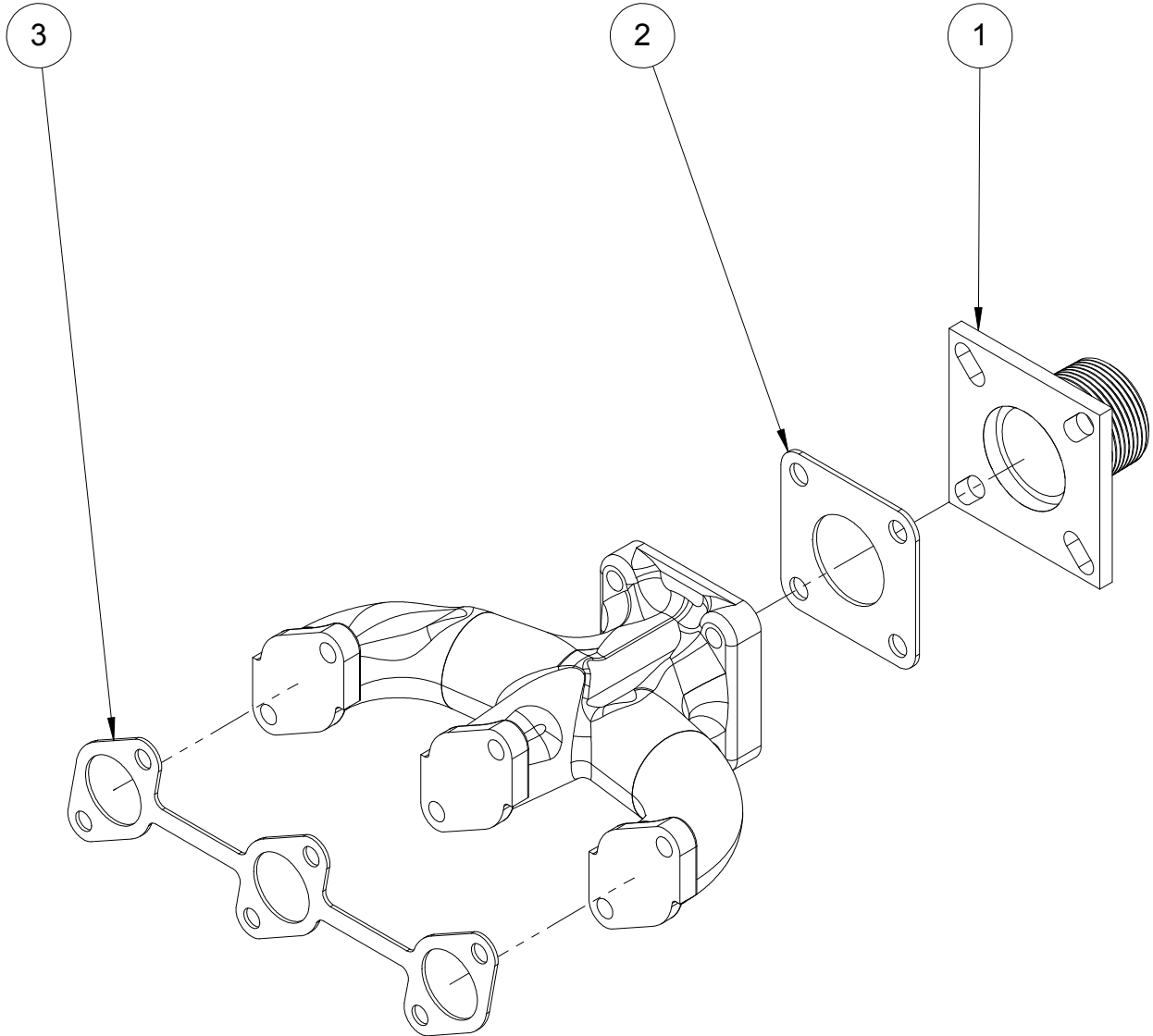
Group 01-02 (Intake)



Group 01-02 BOM (Intake)

ITEM	PART NUMBER	DESCRIPTION	QTY.
1	04AC4055BND	BAND, FILTER, AIR (SMALL)	1
2	04AC42503	HOUSING, FILTER, AIR, W/ ELEMENT	1
3	04FA221	ELEMENT, FILTER, AIR, 3.25"	1
4	04HSA1342	HOSE, INTAKE, AIR, PT 8-12 COMMERCIAL	1
5	S-2794	BRACKET, FILTER, AIR, 8-12 KW	1

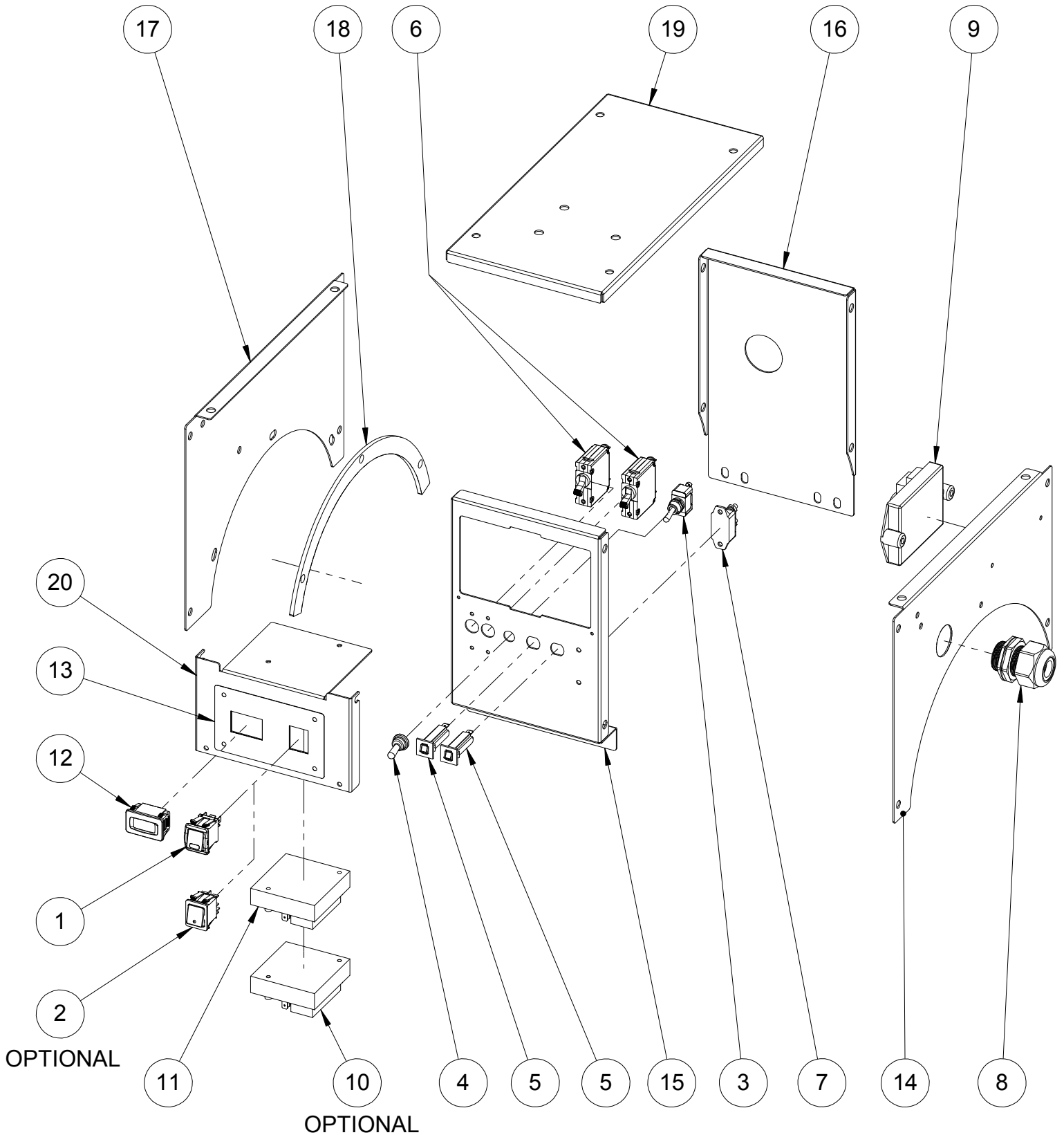
Group 01-03 (Exhaust)



Group 01-03 BOM (Exhaust)

ITEM	PART NUMBER	DESCRIPTION	QTY.
1	04EX114WSLT	FLANGE, EXHAUST, 4 BOLT, SLOT, 1-1/4"	1
2	04GKT0203EX	GASKET,FLANGE,EXHAUST,4 BOLT	1
3	04GKT905EX	GASKET, MANIFOLD, EXHAUST, KUBOTA, 1105	1

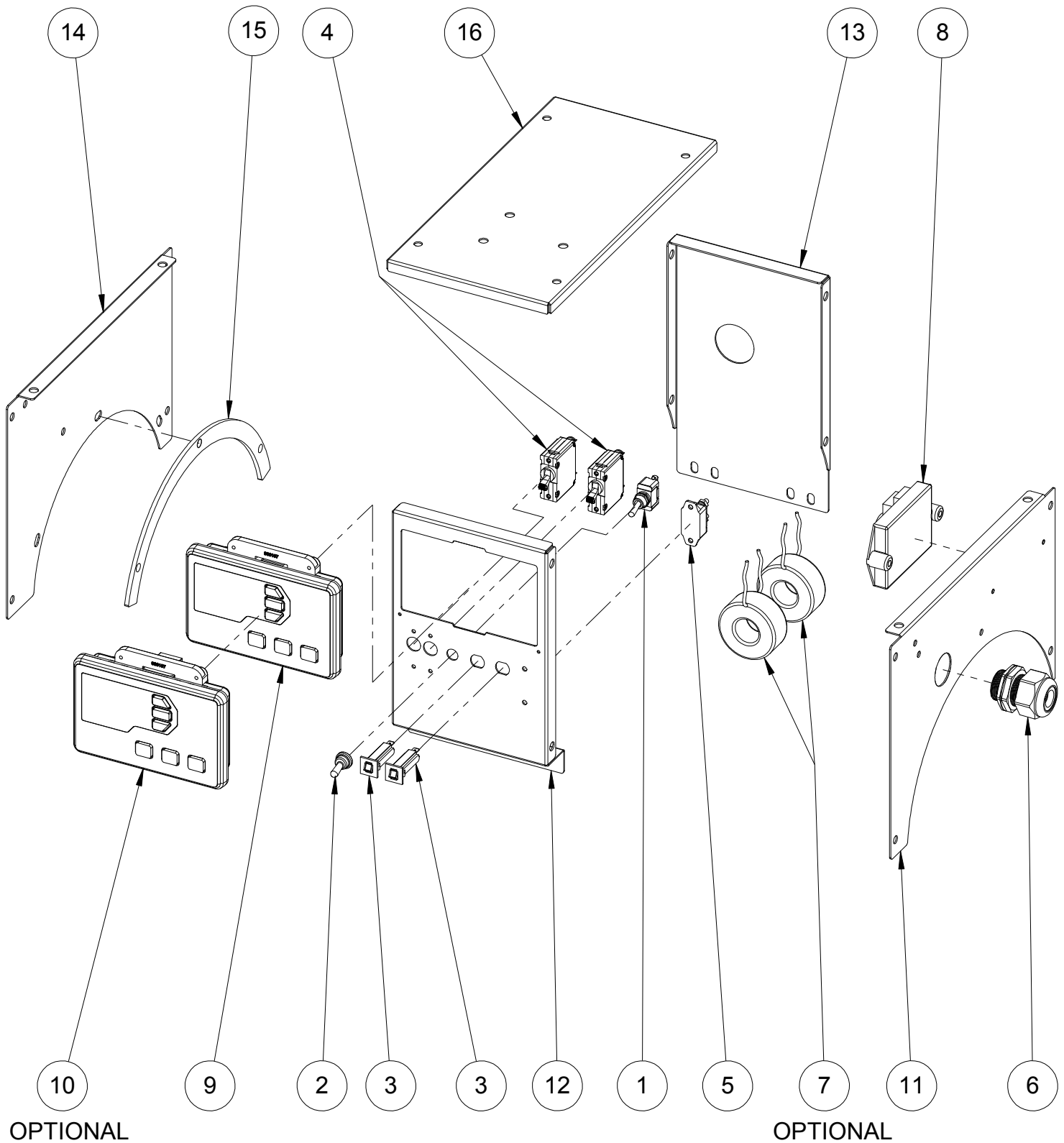
Group 02-01 (Controls)



Group 02-01 BOM (Controls)

ITEM	PART NUMBER	DESCRIPTION	QTY.
1	05SR	SWITCH, ROCKER, MOM, LIGHT, START/STOP	1
2	05SRMT	SWITCH,ROCKER,MAINTAIN,LIGHT	1
3	05STOGONOFF	SWITCH, TOGGLE, ON/OFF, 2 POLE	1
4	05TOGBOOT	BOOT, SWITCH, TOGGLE	1
5	06BR5A-RESEW28	BREAKER, 5A, RESET, ROCKER	2
6	06BR35A1PAA	BREAKER,35A,1P	2
7	06BR401P12V	BREAKER, 40A, 12VDC	1
8	06CG1	GRIP, CORD 1"	1
9	06REG31B	REGULATOR, VOLTAGE, 3.1B, 3 PHASE	1
10	07CONECU63	CONTROLLER, ENGINE, ECU 63, MOMENTARY	1
11	07CONECU64	CONTROLLER, ENGINE, ECU 64F, MAINTAIN	1
12	07MHR-DIGITAL	METER, HOUR, DIGITAL, RECTANGLE	1
13	09DEC890	DECAL, PANEL, 890	1
14	S-1796	PANEL, FRONT, BOX, CONTROL	1
15	S-1797	PANEL, SIDE, SERVICE, BOX, CONTROL	1
16	S-1799	PANEL, SIDE, NON-SERVICE, BOX, CONTROL	1
17	S-1903	CONTROL BOX,BACK	1
18	S-1904	CONTROL BOX,SPACER	1
19	S-2795	PANEL, TOP, BOX, CONTROL, CE, TG, NON-VENTED, 8-12 KW	1
20	S-2863	BRACKET, CONVERSION, TG TO ECU, 8-12	1

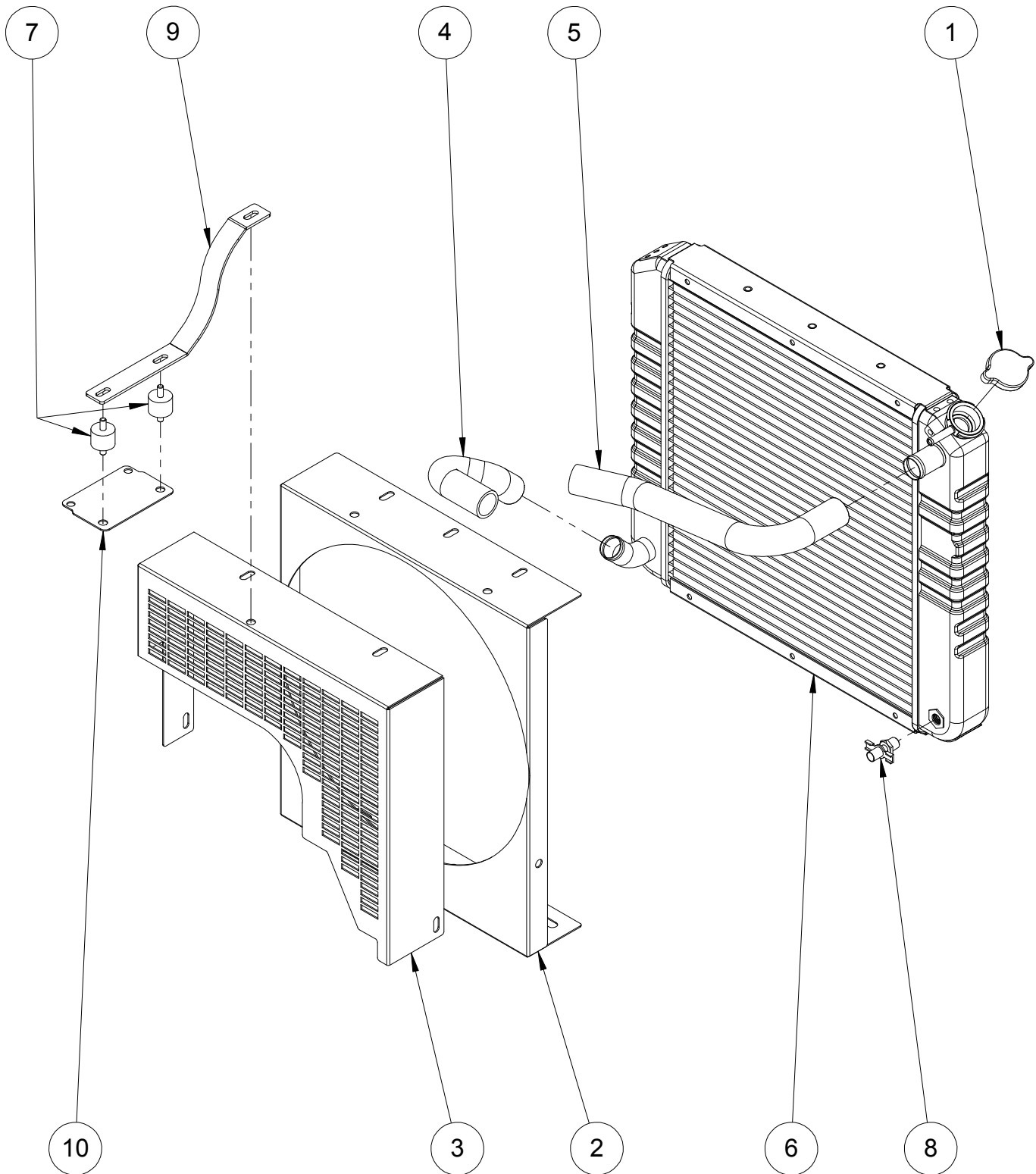
Group 02-02 (Controls)



Group 02-02 BOM (Controls)

ITEM	PART NUMBER	DESCRIPTION	QTY.
1	05STOGONOFF	SWITCH, TOGGLE, ON/OFF, 2 POLE	1
2	05TOGBOOT	BOOT, SWITCH, TOGGLE	1
3	06BR5A-RESEW28	BREAKER, 5A, RESET, ROCKER	2
4	06BR35A1PAA	BREAKER,35A,1P	2
5	06BR401P12V	BREAKER, 40A, 12VDC	1
6	06CG1	GRIP, CORD 1"	1
7	06CT1005	TRANSFORMER, CURRENT, 100:5	2
8	06REG31B	REGULATOR, VOLTAGE, 3.1B, 3 PHASE	1
9	07TG350	CONTROLLER, ELECTRONIC, PTG350	1
10	07TG410	CONTROLLER, ELECTRONIC, PTG410	1
11	S-1796	PANEL, FRONT, BOX, CONTROL	1
12	S-1797	PANEL, SIDE, SERVICE, BOX, CONTROL	1
13	S-1799	PANEL, SIDE, NON-SERVICE, BOX, CONTROL	1
14	S-1903	CONTROL BOX,BACK	1
15	S-1904	CONTROL BOX,SPACER	1
16	S-2795	PANEL, TOP, BOX, CONTROL, CE, TG, NON-VENTED, 8-12 KW	1

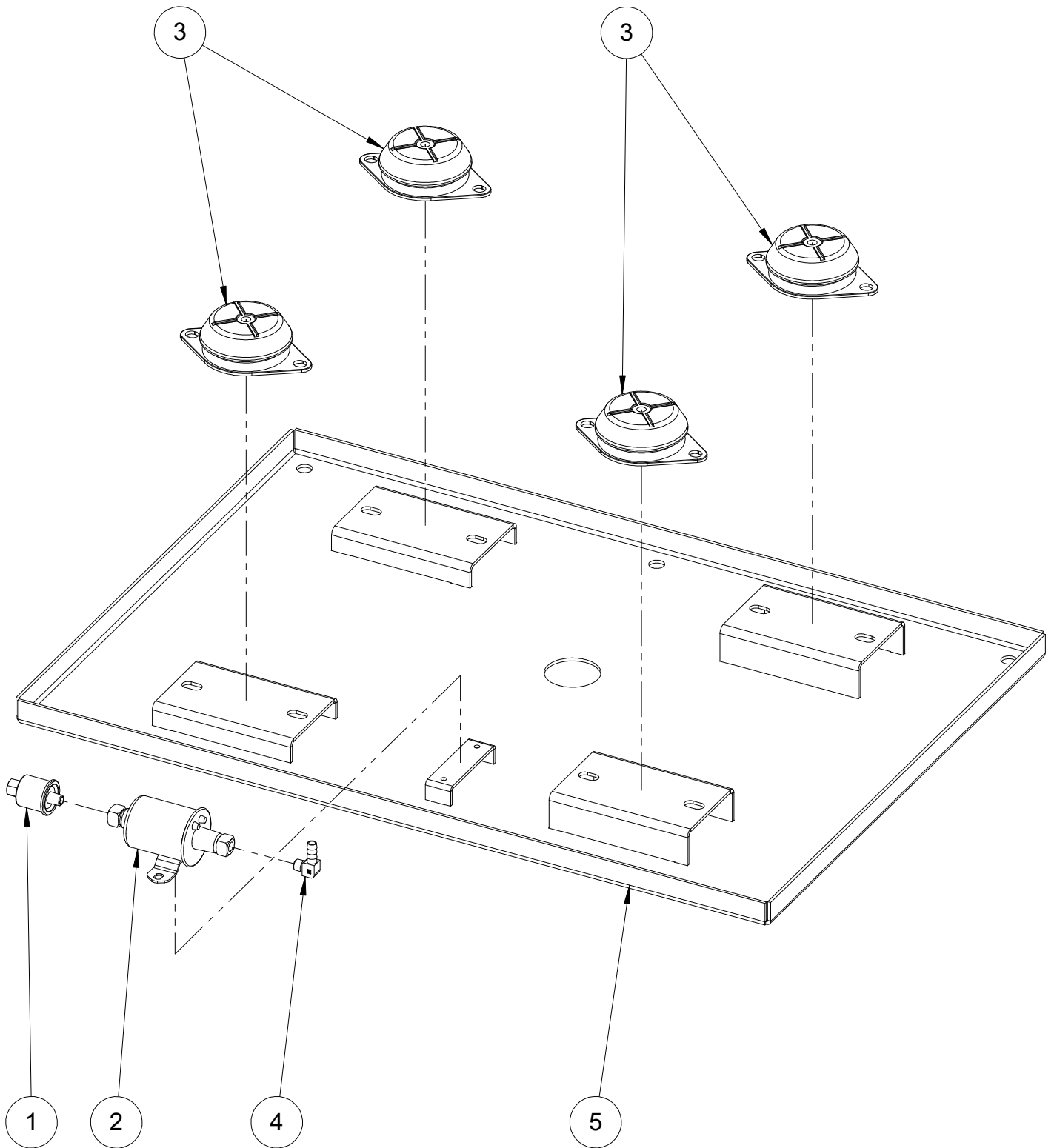
Group 03 (Radiator)



Group 03 BOM (Radiator)

ITEM	PART NUMBER	DESCRIPTION	QTY.
1	03CR27	CAP, RADIATOR, 13#, 1 3/4", NO RELEASE	1
2	03FS350B	SHROUD, FAN, 05	1
3	03GF350B	GUARD, FAN, 05	1
4	03HS1305L	HOSE, RADIATOR, LOWER, 650, 05	1
5	03HS7623	HOSE, RADIATOR, UPPER, 400/650, 05	1
6	03RAD650	RADIATOR, 650, 7-12KW	1
7	09MNTIS14	MOUNT, ISOLATOR, 1/4x3/4 HEIGHT	2
8	BR6788	DRAIN COCK, 1/4", STRAIGHT, LONG, BRASS	1
9	S-2266	BRACKET, SUPPORT, RADIATOR, 05, 650	1
10	S-2267	PLATE, MOUNTING, SUPPORT, RADIATOR, 05	1

Group 04 (Base Pan)



Group 04 BOM (Base Pan)

ITEM	PART NUMBER	DESCRIPTION	QTY.
1	08FFG17B	FILTER, FUEL, INLINE, G17B	1
2	08PE7061	PUMP, FUEL, ELEC, 12V	1
3	09MNT40	MOUNT,ENGINE,OPEN POWER,8-12KW	4
4	BR1556	BARB, HOSE, 90°, 5/16H X 1/8NPT, BRASS	1
5	SA-1092	BASEPAN ASSEMBLY	1