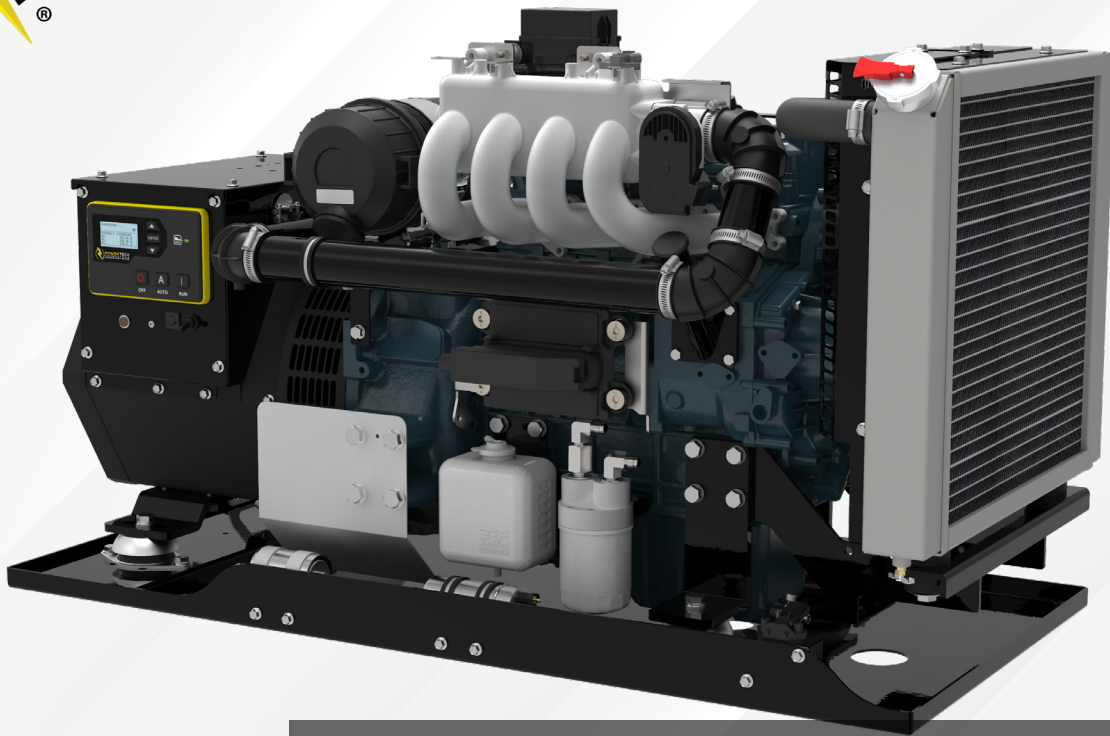




POWERTECH
GENERATORS



PTGK-20 GAS GENERATOR

FEATURES

- 20,000 WATT OPEN GENERATOR
- EPA AND CARB COMPLIANT
- LOW SPEED INDUSTRIAL GRADE
- INTEGRATED CATALYTIC SILENCER
- SINGLE SIDE SERVICE
- HIGHLY CUSTOMIZABLE

DIMENSIONS: 52"L x 28.5"W x 28.125"H

- Prime Power Output: 20,000W
- Liquid-Cooled, 4 Cylinder, Gasoline
- Available 50Hz and 60Hz
- Available in 3 Phase
- Brush-less Generator
- Automatic Voltage Regulator
- Safety Shutdowns for High Temp and Low Oil Pressure
- Output Voltage: 120VAC/240VAC
- Amperage: 166A @120VAC (83.3A @ 240VAC)
- Fuel Consumption: 1.65 GPH at Full Load
- Weight: 897LBS

Disclaimer: Weights and dimensions shown may vary and are for guidance only. Please confirm with your PowerTech Sales Representative before ordering.

