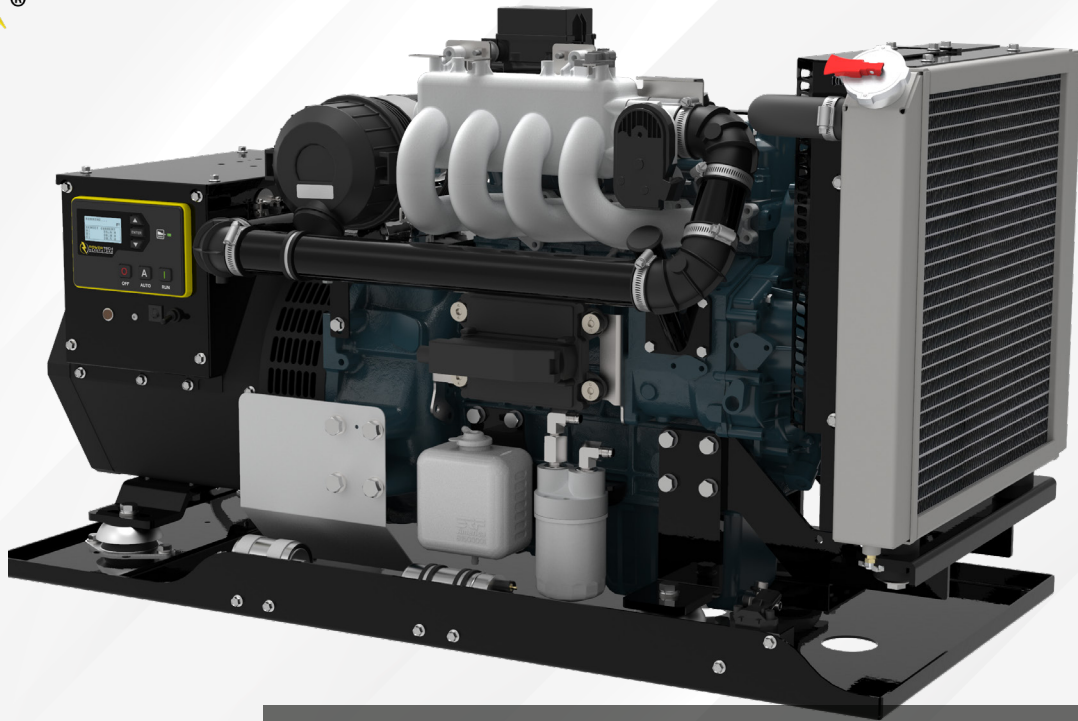




POWERTECH
GENERATORS



PTGK-12 GAS GENERATOR

FEATURES

- 12,000 WATT OPEN GENERATOR
- EPA & CARB COMPLIANT
- SINGLE SIDE SERVICE
- RUGGED INDUSTRIAL GRADE
- INTEGRATED CATALYTIC SILENCER
- HIGHLY CUSTOMIZABLE

DIMENSIONS: 46.69" L x 25" W x 27.56" H

- Prime Power Output: 12,000W
- Liquid-Cooled, 4 Cylinder, Gasoline
- Engine Mounted Diesel Oxidation Catalyst
- Available 50Hz and 60Hz
- Available in 3 Phase
- Brush-less Generator
- Automatic Voltage Regulator
- Safety Shutdowns for High Temp and Low Oil Pressure
- Output Voltage: 120VAC/240VAC
- Amperage: 100A @120VAC (50A @ 240VAC)
- Fuel Consumption: 1.65 GPH at Full Load
- Weight: 757LBS

Disclaimer: Weights and dimensions shown may vary and are for guidance only. Please confirm with your PowerTech Sales Representative before ordering.

