



POWERTECH
GENERATORS
SOLUTIONS FOR MOBILE APPLICATIONS



PT-35V2

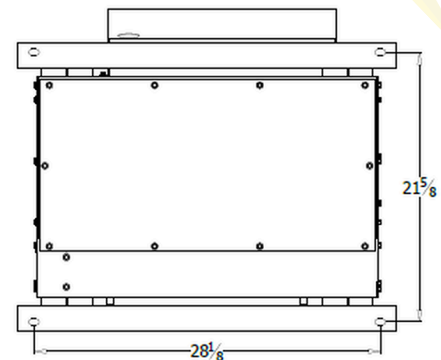
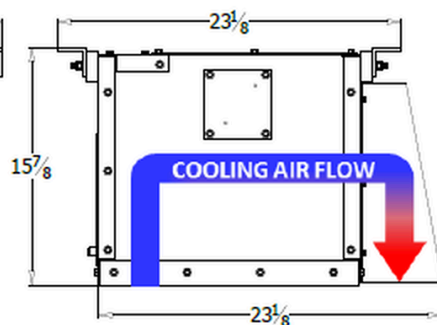
SPRINTER/TRANSIT VAN GENERATOR

- Low Profile Compact Model
- Enclosed Generator
- Weather Resistant
- Mounts to the Chassis of Sprinter Vans
- Integrates to Vehicle Fuel Tank and Battery
- 2 YR /3000 HR Limited Warranty
- Dimensions: 30.75"L x 23.125"W x 15.875"H

FEATURES

SPECIFICATIONS

- Prime Power Output: 3,000W
- Single Cylinder Diesel Engine
- CARB and EPA Certified TIER 4
- Indirect Injection Type
- Belt Driven Brush-less Generator
- ECU Controller
- Safety shutdowns for high temp and low oil pressure
- Output Voltage: 120VAC (240VAC Optional)
- Amperage: 25A @120VAC (12.5A @ 240VAC)
- Fuel Consumption: .22 GPH at full load and .10 GPH at half load
- Weight: 260 lbs



DIMENSIONS

