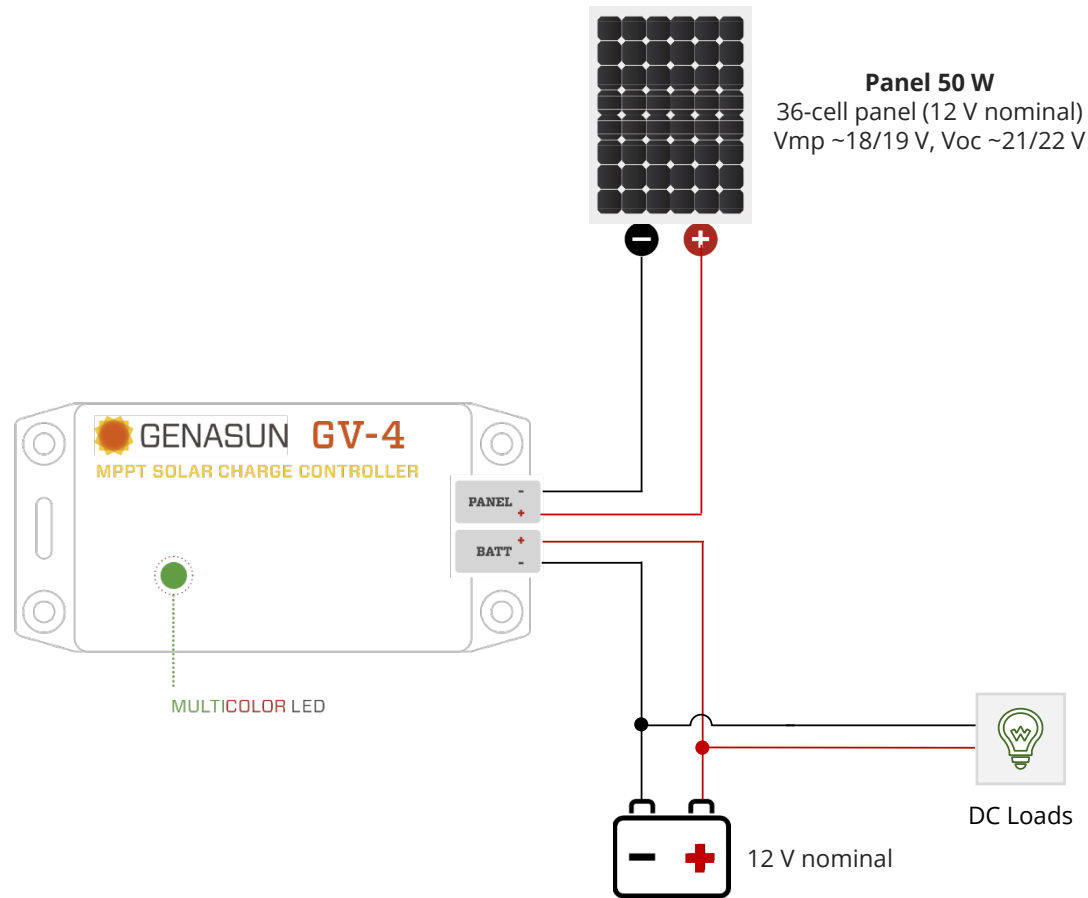


Genasun GV-4-Pb-12V (Buck)

Battery Voltage 12 V nominal | Charge current 4 A | Max. Recomm. Power Input 50 W



PV Panel



Battery (Pb)



DC Load

| | |
|-----------------------------------|---|
| SunForge LLC | 11/2022 Rev.4 |
| Single Line Diagram - GV-4-Pb-12V | https://sunforge.com/genasun/ |