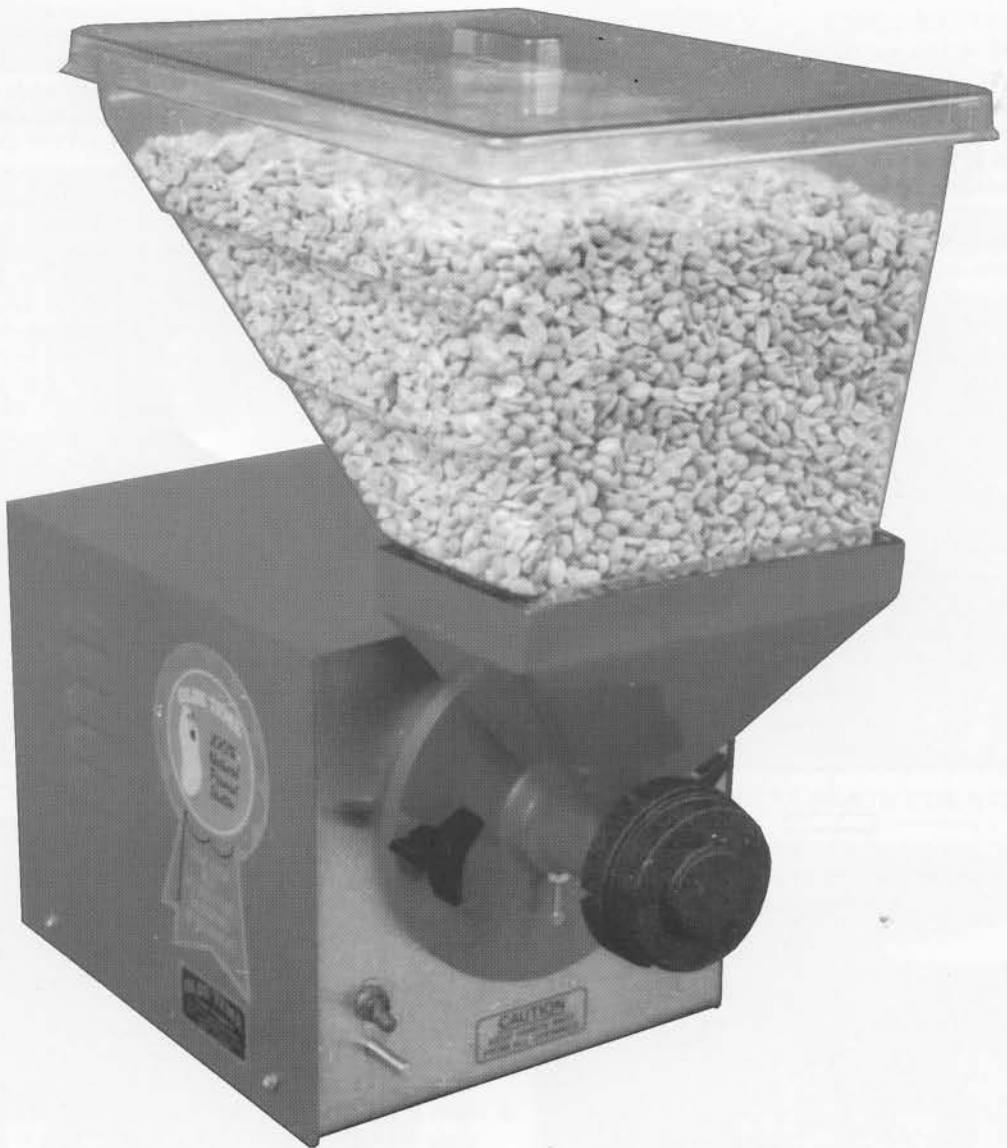


**INSTRUCTION MANUAL
WITH PARTS LIST**

**PEANUT BUTTER MACHINE
MODEL PN-1**



**Olde Tyme Food Products
DIVISION OF HAMPTON FARMS
105 Avocado Street
P.O. Box 2391
Springfield, MA 01104-2391
800-356-6533**

VISIT US AT www.oldetymefoods.com

INSTRUCTION MANUAL

OLDE TYME PEANUT BUTTER MILL PNI with Replacement Part Numbers

IMPORTANT This machine requires 115 volts 20.0 amps.

NOTE

Unplug machine before cleaning.

INSTALLATION

Remove Peanut Butter Machine from carton and inspect for damage that may have occurred in shipment. Mill should be operated on a sturdy counter or table, ideally a location that can be seen by your customers while the machine is operating, without use of any extension cords.

IMPORTANT

This machine requires 115 volts 20.0 amps. Make sure your electric supply agrees with this.

OPERATING PROCEDURES

- Plug unit into a 115 volt outlet at least 20 AMP service.
- Pour peanuts into chute.
- Close chute cover.
- Place peanut butter container under spout.
- Push switch to "on" position – red light will appear.
- When container is filled, turn machine off.

CLEANING INSTRUCTIONS

- Your machine should always be empty of peanuts before cleaning.
- Unplug machine – important.
- Twist front cap clockwise and pull.
- Push in lock pin assembly under hopper to engage shaft screw, then turn counterclockwise the shaft plate and remove completely.
- Unscrew completely the two black hopper knobs on hopper face and remove hopper by sliding outward from main housing.

- With daily use, the peanut butter mill should be cleaned once a month. Additional cleaning is required if mill goes unused for a week.
- To prevent rust, avoid soaking machine parts overnight in water.
- Clean shaft with damp, soft cloth, and dry thoroughly.

MAINTENANCE INSTRUCTIONS

This machine was lubricated, sealed and test run at the factory. No further maintenance is required other than keeping the machine clean.

TROUBLE SHOOTING

- Peanut Butter Dry & Coarse – Either peanuts don't have the proper amount of oil content or space between grinding plates is too wide, or plates are worn.
- Machine running hot, slow, weak – check electric service requirements – Machine *itself* needs full 20.0 AMPS. Space between grinding plates is too narrow, or plates are worn.

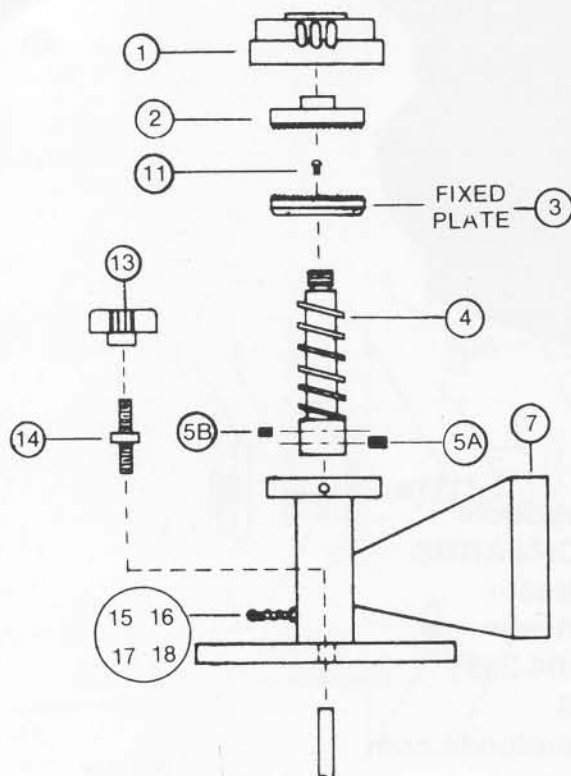
PEANUTS & CONTAINERS

Make sure your peanuts are dry roasted, split, blanched and vacuum sealed to insure freshness. Remember, a low priced peanut is not always indicative of a good quality, superior tasting peanut butter. Your peanut butter can only be as good as the peanuts you are grinding. We've been packing a specially blended peanut butter combination for over 10 years now – we know what peanuts make the best peanut butter! If you would like to try our peanuts, contact your distributor or call our order department at 1-800-356-6533 24 hours a day. We ship from 3 national warehouse locations to insure fast, low cost delivery. Additionally, we offer a beautifully designed, 3-color one pound container and lid which stresses the naturalness of peanut butter – guaranteed to increase your peanut butter sales.

IMPORTANT

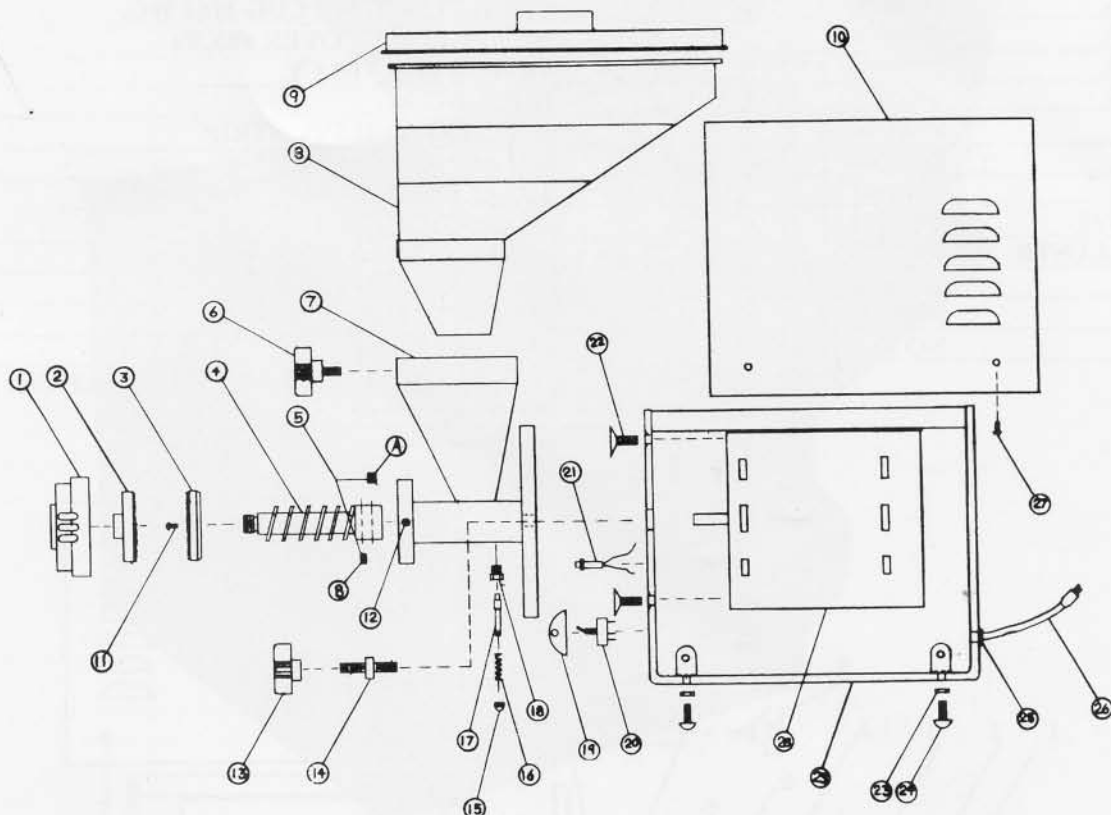
ADJUSTMENT OF SHAFT SCREW

Each machine is adjusted at our factory to make a natural consistency grind – Should you desire a more coarse or smoother textured butter please follow these instructions carefully . . .



1. Remove front cap (item 1).
2. Push in lock pin assembly (item 15, 16, 17, 18) and unscrew shaft plate – counterclockwise (item 2).
3. Remove the two black hopper knobs (item 13) from front of hopper (item 7).
4. Slide hopper (item 7) out from main housing.
5. Loosen (2) set screws (item 5A first & 5B second) at rear of shaft screw (item 4).
6. Slide shaft screw (item 4) out about 1/4 in. and snug down the one set screw (item 5B) that lines up with the keyway of the motor shaft.
7. Replace hopper and secure with black hopper knobs (item 13) removed earlier.
8. Screw on shaft plate (item 2) until it bottoms on the shaft screw (item 4). It will be necessary to push in lock pin assembly (item 15, 16, 17, 18) to keep shaft screw from turning.
9. With a soft object ie: block of wood, lightly tap front-center of shaft plate (item 2) until there is a 1/32 in. space between front and rear plates (item 2 & 3). A match book cover folded in half will make a handy gage for this.
10. Repeat teardown procedure being careful not to disturb setting.
11. Tighten (2) set screws (item 5A second & 5B first) on shaft screw (item 4).
12. Reassemble unit complete including front cap (item 1). Be sure parts are secured and lock pin assembly is disengaged from shaft screw by check its spring return.
13. Plug unit into wall outlet and turn power switch on and IMMEDIATELY off again! If all steps have been done properly the unit is ready for service. If any rubbing is heard unit is not adjusted correctly and the above steps should be repeated until smooth operation is attained.

III.	Part No.	No. Req.	Description
1.	8900011	1	Front Cap
2.	8900018	1	Rotary Plate Shaft
3.	8900017	1	Plate Fixed
4.	8900016	1	Worm Shaft Screw
5. A. lg.	4400174 5/16-24	1	Set Screws Shaft
5. B. sm.	8900031 10-32x3/8	1	Set Screws Shaft
6.	4400055 & 8900038	1	Chute Knob with Stem
7.	8900010	1	Hopper
8.	8900012	1	Chute For Installed 18#/Conversion
9.	8900013	1	Chut cover add \$15.00
10.	8900003	1	Cover Housing
11.	8900019	2	S/S Plate Screws 6-32x3/8
12.	8900020	2	Roll Pins 3/16x1/2
13.	4400055	2	Hopper Knobs
14.	8900006	2	Hopper Mtg. Studs
15. - 18.	8900023	1	Plunger Assy.
19.	7120011	1	Off/On Plate Switch Guard
20.	7120009	1	Switch-Toggle
21.	7120014-A	1	Pilot Light
22.	8900008	2	3/8-16x3/4 Screw Motor, Flat Socket hd.
23.	1200060	4	10/32 Nuts, Hex
24.	1320093	4	Rubber feet
25.	1012042	1	Heyco Grip
26.	8900045	1	Cord Electric W/Plug # 14AWG
27.	8900020	4	Hex Screws Cover # 8x3/4
28.	8900004	1	Motor - 1 HP - 60 Cy.
29.	8900001	1	Housing
	8800022		(1/4x3/8) Foam Ins. Strip
	8900040		5/32 Allen Wrench
	8900042		3/32 Allen Wrench
Not	8900005		Shaft Spacer
illus-	8900029	2	Peanut Decals
trated	8900026	2	Name Plate Decals
	8900043	1	Serial decal
	8900045	1	Safety decal
	Old Style		Chute & Cover



WARRANTY

Thank you for your confidence in Olde Tyme Food Products Corporation. This Olde Tyme product is guaranteed for a period of 90 days from the date of purchase against any defective workmanship or materials, provided they have not been subjected to abnormal use of any type of abusive handling and they have been operated and maintained in accordance with instructions. Should any defects occur on this product, under legitimate circumstances, during the period stipulated, the defective parts will be replaced and installed at our plant or by any Olde Tyme Authorized Service or Repair Agency free of charge. Transportation charges incurred are not covered by this warranty. Our products ARE NOT GUARANTEED against accidents or against defects resulting from abnormal use.

IT IS FURTHER REQUIRED that these machines are operated under the current voltage and capacity specified in the instruction sheet.

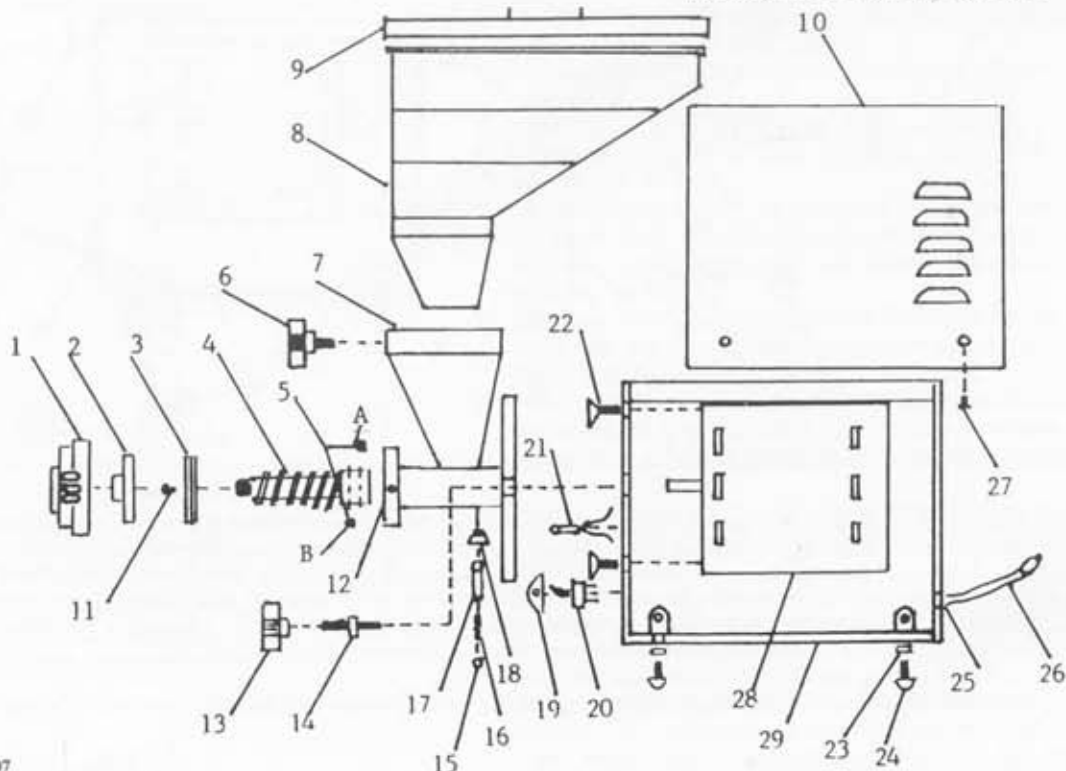
Serial No. _____

Date _____

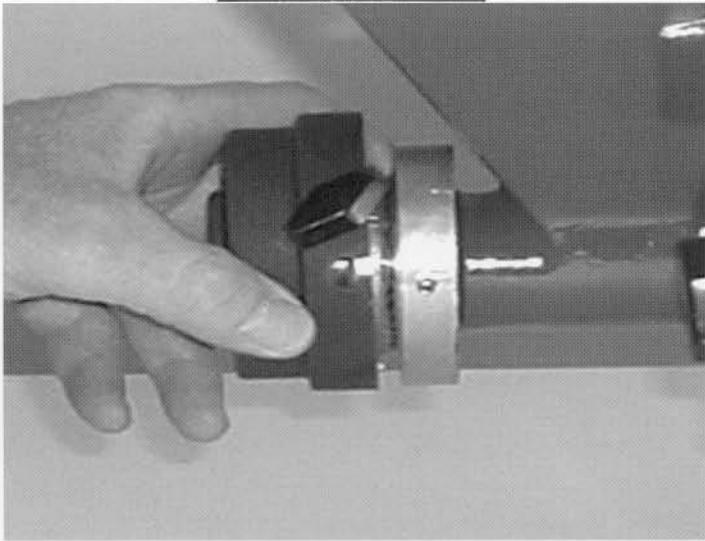
OLDE TYME PEANUT BUTTER MILL: PN1 PARTS LIST
PRICES SUBJECT TO CHANGE WITHOUT NOTICE
EFFECTIVE JANUARY 1, 2007

1.	8900011	1	FRONT CAP
2.	8900018	1	ROTARY PLATE SHAFT (SET)
3.	8900017	1	PLATE FIXED (SET)
4.	8900016	1	WORM SHAFT SCREW
5A. lg	4400174 (24) 5/16	1	SET SCREWS SHAFT
5B. sm	8900031 (10) 32X3/8	1	SET SCREWS SHAFT
6.	4400055 & 8900038	1	CHUTE KNOB WITH STEM
7.	8900010	1	HOPPER
8.	8900012	1	CHUTE
9.	8900013	1	CHUTE COVER
10.	8900003	1	COVER HOUSING
11.	8900019	2	S/S PLATE SCREWS (6) 32x3/8
12.	8900020	2	ROLL PINS 3/16X1/2
13.	4400055	2	HOPPER KNOBS
14.	8900006	2	HOPPER MTG. STUDS
15-18.	8900023	1	PLUNGER ASSEMBLY
19.	7120011	1	OFF/ON LATE SWITCH GUARD
20.	7120009	1	SWITCH-TOGGLE
21.	7120014-A	1	PILOT LIGHT
22.	8900008 3/8-16X3/4	2	SCREW MOTOR, FLAT SOCKET HD.
23.	1200060	4	10/32 NUTS, HEX
24.	1320093	4	RUBBER FEET
25.	1012042	1	HEYCO GRIP
26.	8900045	1	CORD ELECT. W/PLUG 3144 WG.
27.	8900020	4	HEX SCREWS COVER #8X3/4
28.	8900004	1	MOTOR IHP - 60 CY.
29.	8900001	1	HOUSING
	8800022		(1/4X3/8) FOAM INS. STRIP
	8900040		5/32 ALLEN WRENCH
	8900042		3/32 ALLEN WRENCH
NOT	8900042		SHAFT SPACER
ILLUSTR.	8900029	2	PEANUT DECALS
	8900026	2	NAME PLATE DECALS
	8900043	1	SERIAL DECAL
	NO #	1	SAFETY DECAL

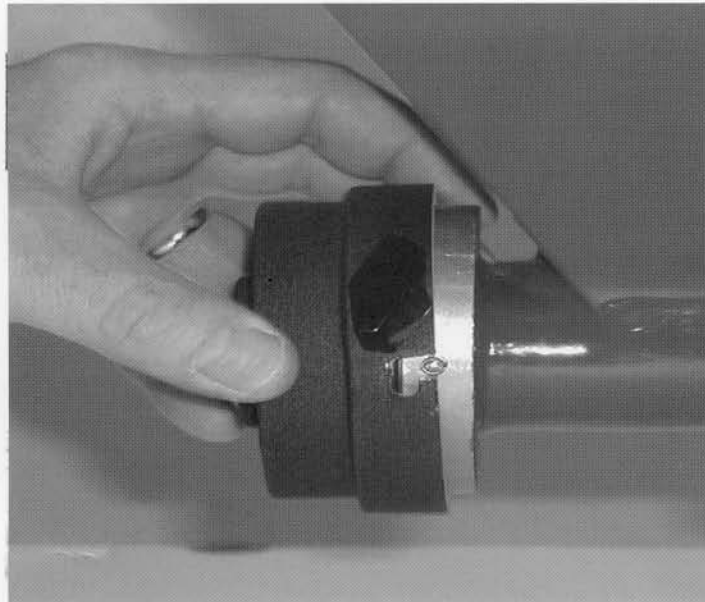
MOTOR 1 HP-50 CY, EXPORT



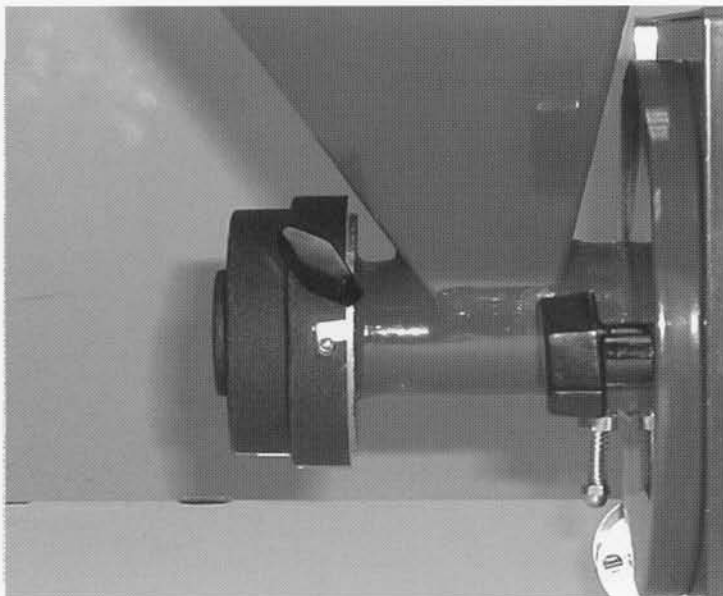
CAP INSTALLATION



1. MAKE SURE THUMB SCREW IS BACKED OFF.
2. ALIGN SLOT OPENING WITH PIN.

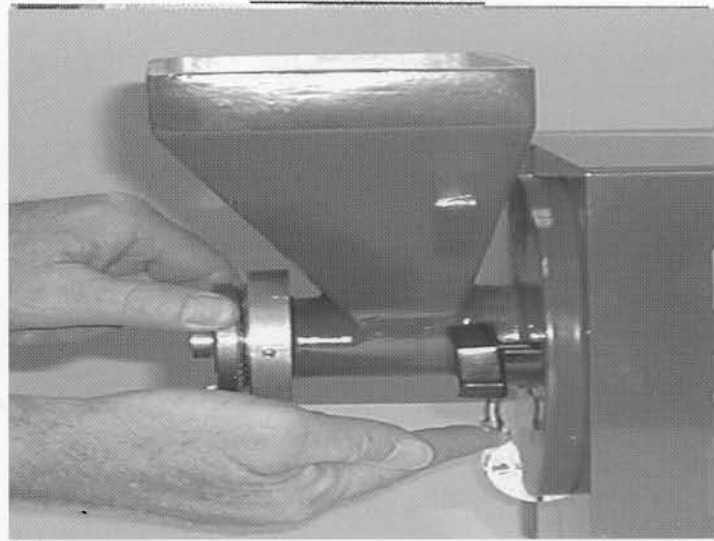


3. SLIDE CAP OVER GRINDER HEAD.

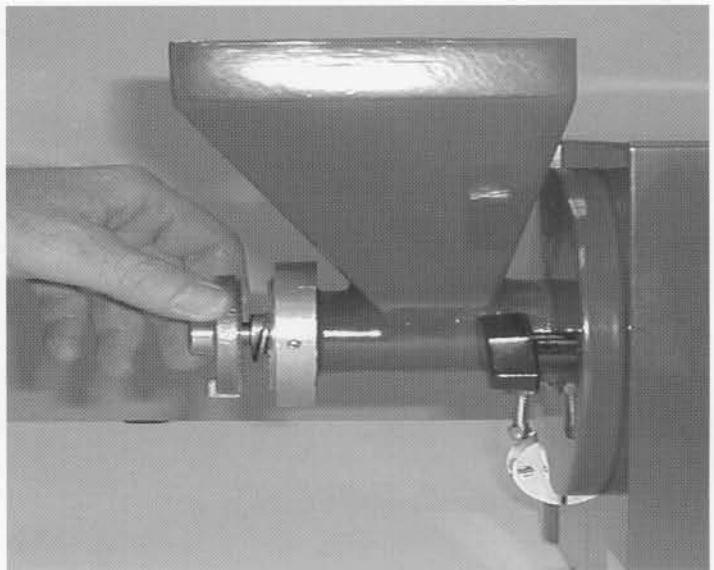


4. ROTATE CAP COUNTERCLOCKWISE.
5. TIGHTEN THUMB SCREW.

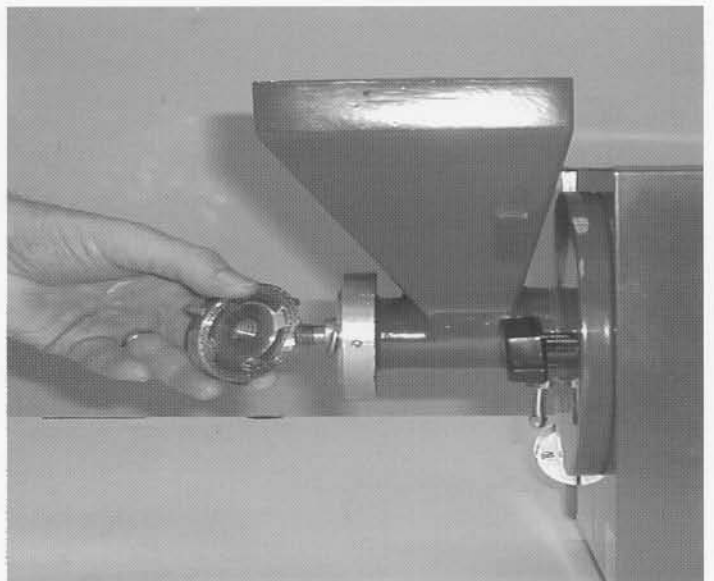
PLATE REMOVAL



1. ROTATE FRONT PLATE COUNTER CLOCKWISE WHILE PUSHING LOCK PIN IN UNTIL PIN ENGAGES WITH SLOT IN WORM SHAFT AND PLATE LOOSENS.



2. UNSCREW FRONT PLATE COUNTERCLOCKWISE.



3. REMOVE FRONT PLATE.