

4

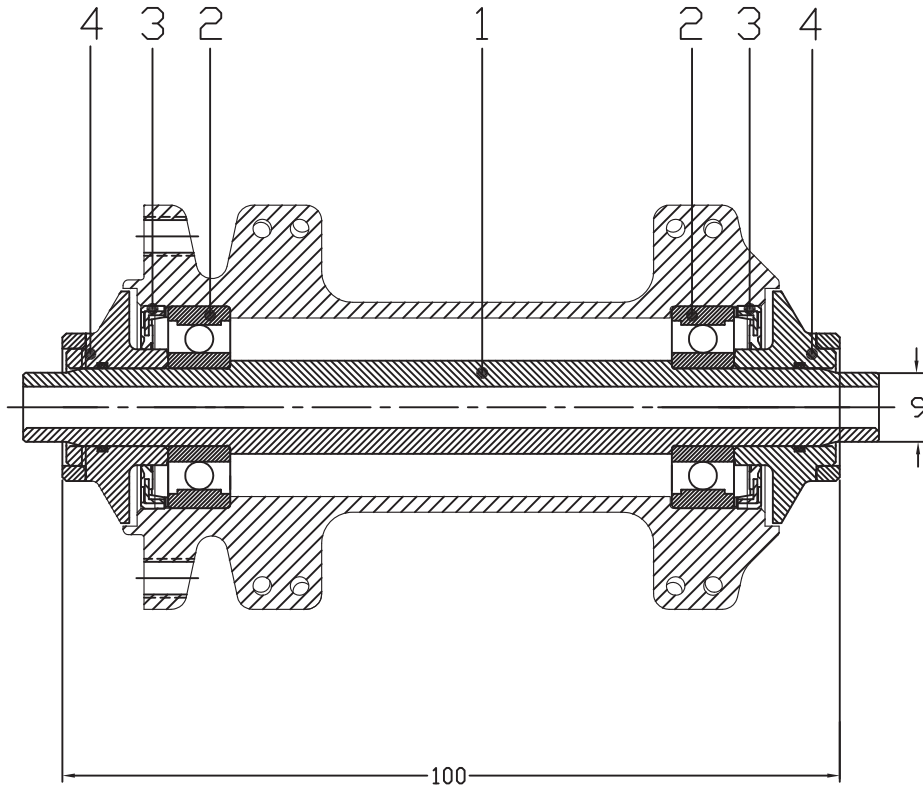
3

2

1

NOTES: UNLESS OTHERWISE SPECIFIED
 1. ALL DIMENSIONS IN mm.
 2. DECALS/LOGOS ARE SHOWN FOR REFERENCE ONLY.

REVISIONS					
REV.	ZONE	DESCRIPTION	BY	CHECKED	REVISIONDATE
A		RELEASE	S. JUNKER		4/4/2012



	PART #	DESCRIPTION	QTY.
1	2017053	AXLE XC2 F	1
2	2035789	BEARING 6000 STD AM	2
3	2033665	SEAL X1 F 9X100	2
4	2017021	END CAP XC2 F / RNDS	2

COMPUTER GENERATED DOCUMENT
 DO NOT MAKE MANUAL CHANGES

EASTON Easton Bell Sports, Inc.
 5550 Scotts Valley Drive
 Scotts Valley, CA 95066

TITLE
 EASTON X2 FRONT HUB
 9X100 QR

SIZE C DWG NO XXXXX-XX REV A

SCALE 1:1 CAD SOLIDWORKS SHEET 1 of 1

4

3

2

1